

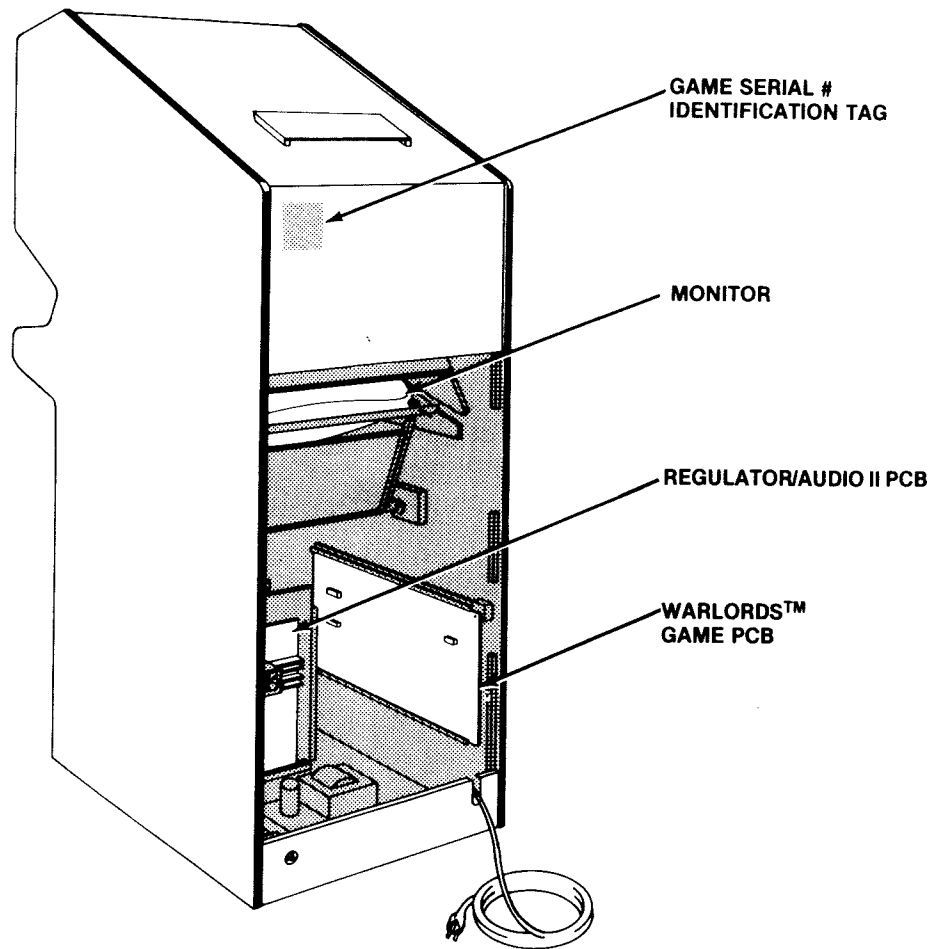
TM-175  
1st printing

# WARLORDS™

Operation, Maintenance  
and Service Manual

Complete with Illustrated Parts Lists





## GAME SERIAL NUMBER LOCATION

Your game's serial number is stamped on a plate on the outside of the game. The same number is also stamped on the chassis of the monitor, Regulator/Audio II PCB, and the Warlords™ Game PCB. Please mention this number whenever calling your distributor for service.

# WARLORDS™

## Operation, Maintenance and Service Manual

Complete with Illustrated Parts Lists



 A Warner Communications Company



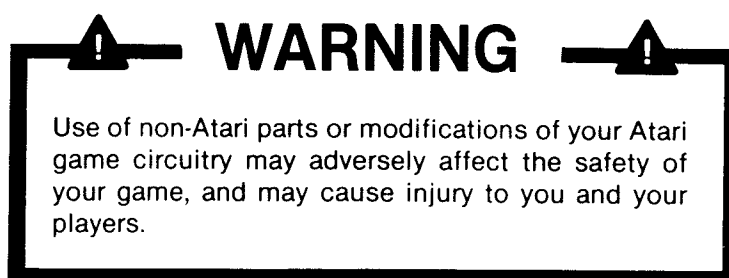
**Copyright © 1981 by Atari, Inc. All rights reserved.**

No part of this publication may be reproduced by any mechanical, photographic, or electronic process, or in the form of a phonographic recording, nor may it be stored in a retrieval system, transmitted, or otherwise copied for public or private use, without permission from the publisher.

Published by:  
**ATARI INC.**  
1265 Borregas Avenue  
P. O. Box 427  
Sunnyvale, California 94086

Lithographed in the U.S.A. **4K**

## Notice Regarding Non-Atari Parts



Atari, Inc.'s warranty (printed on the inside back cover of this manual) may be voided, if you do any of the following:

- 1.) you substitute non-Atari parts in your coin-operated game, or
- 2.) you modify or alter any circuits in your Atari game by using kits or parts **not** supplied by Atari.

Not only may the use of any non-Atari parts void your warranty, but any such alteration may also adversely affect the safety of your game, and may cause injury to you and your players.

# Table of Contents

## 1 Location Setup

A. New Features .....	1
B. Game Inspection .....	3
C. Game Installation .....	3
1. Voltage Selection .....	3
2. Interlock and Power On/Off Switches .....	4
D. Self-Test Procedure .....	6
E. Option Switch Settings .....	8
1. Bonus Play Feature .....	8
2. Coin Mechanism Multipliers .....	9
3. Examples of Game Price Settings .....	9
F. Game Play .....	12
1. Attract Mode .....	12
2. Ready-to-Play Mode .....	13
3. Play Mode .....	13
4. High Score Initial Mode .....	13

## 2 Maintenance and Repair

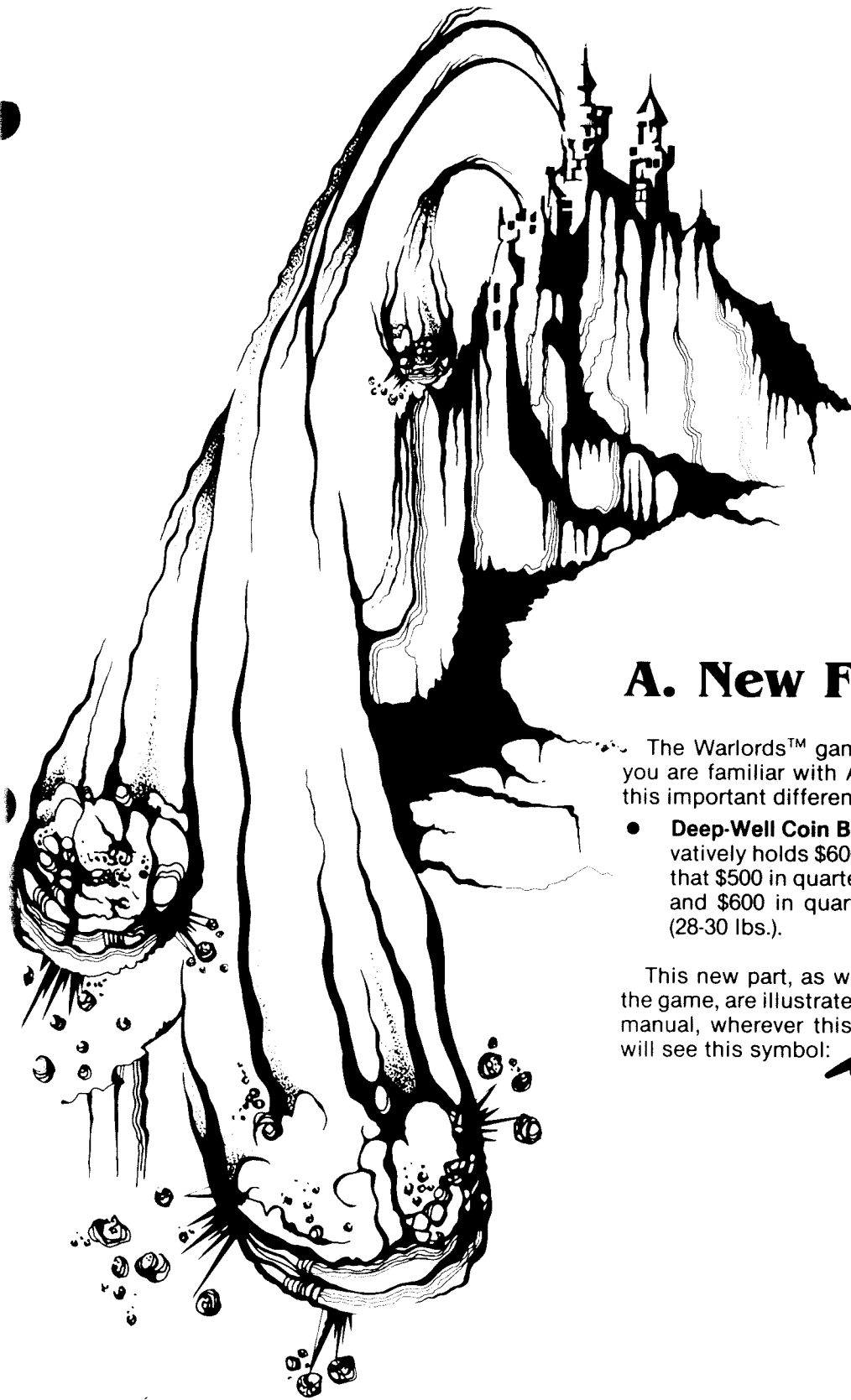
A. Cleaning .....	16
B. Fuse Replacement .....	16
C. Opening the Control Panel .....	16
1. LED Switch Replacement .....	16
2. Potentiometer Replacement .....	16
D. Monitor Removal .....	18
E. Printed-Circuit Board Removal .....	19
1. Game PCB Removal .....	19
2. Regulator/Audio II PCB Removal .....	19
F. Fluorescent Light and Speaker Replacement .....	20
G. Game Operation .....	21

## 3 Illustrated Parts Lists

Illustrations and parts lists begin on page .....	26
---	----

# List of Illustrations

Figure 1	Overview of Game	2
Figure 2	Installation Requirements	3
Figure 3	Voltage Plug Selection	4
Figure 4	Interlock and Power On/Off Switches	5
Figure 5	Location of Self-Test Switch, Volume Control and Option Switches	6
Figure 6	Self-Test Procedure	7
Figure 7	Game Option Settings	8
Figure 8	Game Price Settings	10
Figure 9	Coin Counter Option Settings	12
Figure 10	Opening the Control Panel and Replacing Player Controls	17
Figure 11	Monitor Removal	18
Figure 12	Printed-Circuit Board Removal	19
Figure 13	Fluorescent Tube Replacement	20
Figure 14	Power Distribution	22
Figure 15	Signal Distribution	23
<i>Illustrated Parts Lists:</i>		
Figure 16	Cabinet-Mounted Assemblies	26
Figure 17	Regulator/Audio II PCB Assembly	28
Figure 18	Warlords™ Game PCB Assembly	30
Figure 19	Control Panel Assembly	33
Figure 20	Power Supply Assembly for Raster-Scan Games	34
Figure 21	Fluorescent Light and Speaker Assembly	36
Figure 22	American-Made Coin Door	38
Figure 23	British-Made Coin Door	42



## A. New Features

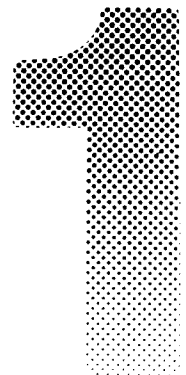
The Warlords™ game has one new part. Even if you are familiar with Atari games, you should note this important difference. The new part is:

- **Deep-Well Coin Box.** This new coin box conservatively holds \$600 in U.S. quarters. Please note that \$500 in quarters weighs over 11 kg (25 lbs.), and \$600 in quarters weighs 12¾ to 13½ kg (28-30 lbs.).

This new part, as well as all other major parts in the game, are illustrated in Figure 1. Throughout this manual, wherever this new part is mentioned, you will see this symbol:



# Location Setup





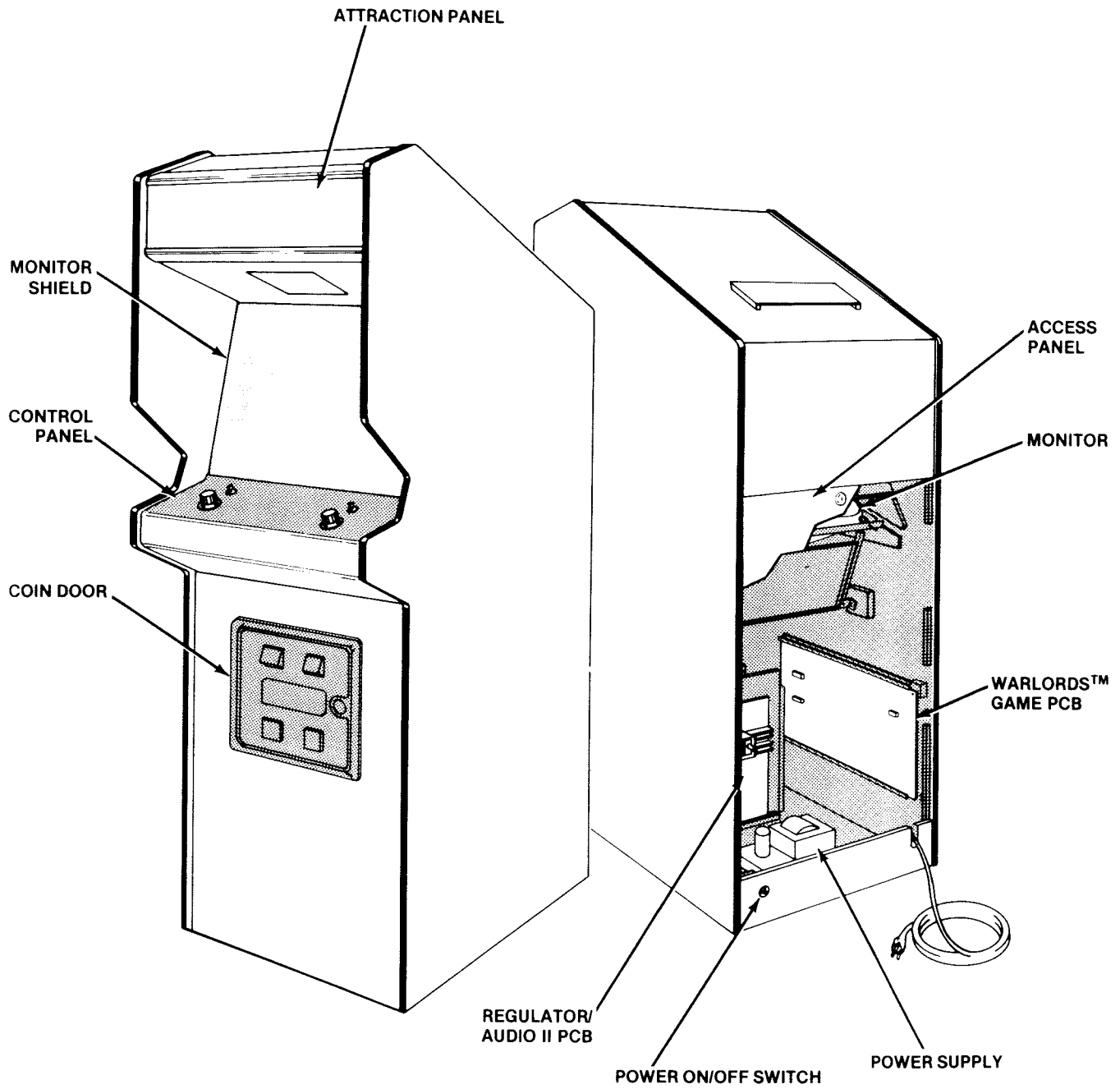


Figure 1 Overview of Game

**! WARNING: !**  
**SHOCK HAZARD**

Connect this game only to a grounded 3-wire outlet. If you have only a 2-wire outlet, we recommend you hire a licensed electrician to install a grounded outlet. **Players may receive an electric shock** if this game is not properly grounded!

## B. Game Inspection

This new game is ready to play upon removal from the shipping carton. However, your careful inspection is needed to supply the final touch of quality control. Please follow these steps to help us insure that your new game was delivered to you in good condition.

**NOTE**

Do not plug the game in yet!

1. Examine the exterior of the game cabinet for dents, chips, or broken parts.
2. Unlock and open the access panel of the cabinet and inspect the interior of the game as follows:
  - Check that all plug-in connectors (on the game harness) are firmly seated. Replug any connectors found unplugged. **DON'T FORCE CONNECTORS TOGETHER.** The connectors are keyed so they only go on in the proper orientation. **A reversed edge connector will damage a PCB** and will void your warranty.
  - Check that all plug-in integrated circuits on the game PCB are firmly seated in their sockets.

**! WARNING !**

To avoid possible unpleasant electrical shock, do not touch internal parts of the monitor with your hands or metal objects held in your hands!

- Note the location of the game's serial number—it is printed on the special label on the outside of the game cabinet. Verify that the serial numbers also stamped on the Warlords™ Game PCB, Regulator/Audio II

PCB, and monitor are all identical. A drawing of the serial number components is on the inside front cover of this manual. Please mention this number whenever you call your distributor for service.

- Check all major subassemblies such as the power supply, control panel and monitor for secure mounting.

## C. Game Installation

### Figure 2 Installation Requirements

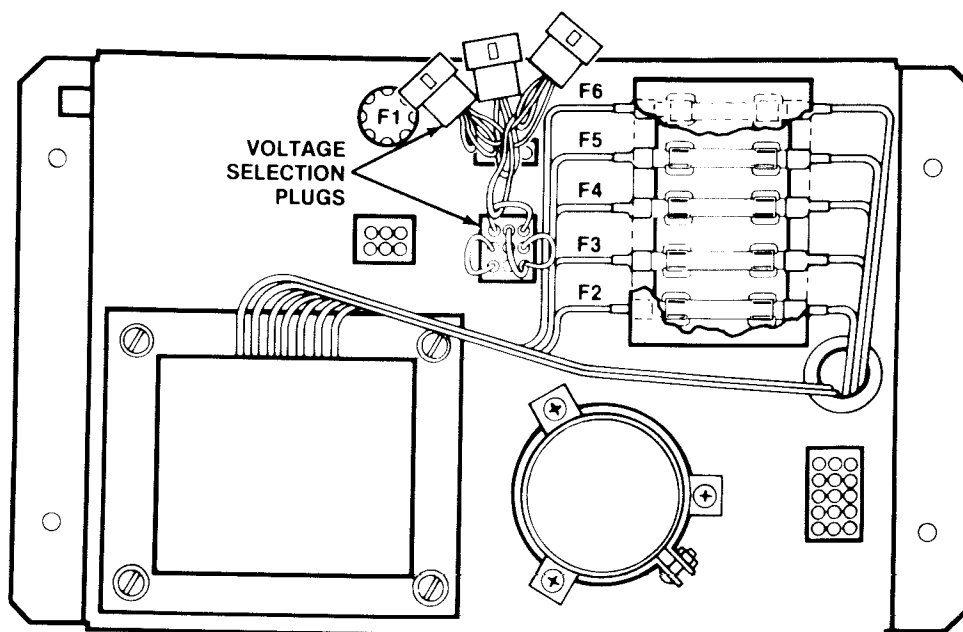
Power	125 watts
Temperature	0 to 38°C (32 to 100°F)
Humidity	Not over 95% relative
Space Required	64 × 81¼ cm (25¼ × 32 in.)
Game Height	182¼ cm (71¾ in.)

### 1. Voltage Selection

The power supply in this game has four colored voltage selection plugs and operates on the line voltage of almost any country in the world.

Before plugging in your game, check your power supply. Make sure that the voltage selection plug on the power supply is correct for your location's line voltage. Check the wire color on the plug and see if it is correct per Figure 3.



**Line Voltage Range**

90-110 VAC (100)  
 105-135 VAC (120)  
 200-240 VAC (220)  
 220-260 VAC (240)

**Voltage Selection Plug Color**

Violet  
 Yellow  
 Blue  
 Brown

**WARNING**

Fuse cover must be in place during game operation.

**Figure 3 Voltage Plug Selection**

## 2. Interlock and Power On/Off Switches

To minimize the hazard of electrical shock while working on the inside of the game cabinet, two interlock switches have been installed (see Figure 4). One is located behind the access panel and one is behind the coin door. These switches remove all AC line power from the game circuitry when a door is opened.

Check for proper operation of the interlock switches by performing the following steps:

- Be sure the coin door and rear access panel are closed.
- Plug the AC line power cord into an AC outlet.
- Set the power on/off switch to the "on" position. Within 30 seconds the monitor should display a picture.
- Slowly open the rear access panel. The monitor picture should disappear when the door is opened approximately 2.5 cm (1 inch). Close and lock this panel and repeat this step with the coin door.
- If the results of the preceding step are satisfactory, the interlock switches are operating properly. If the monitor doesn't go off as described, check to see if the corresponding interlock switch is broken from its mounting or stuck in the "on" position.

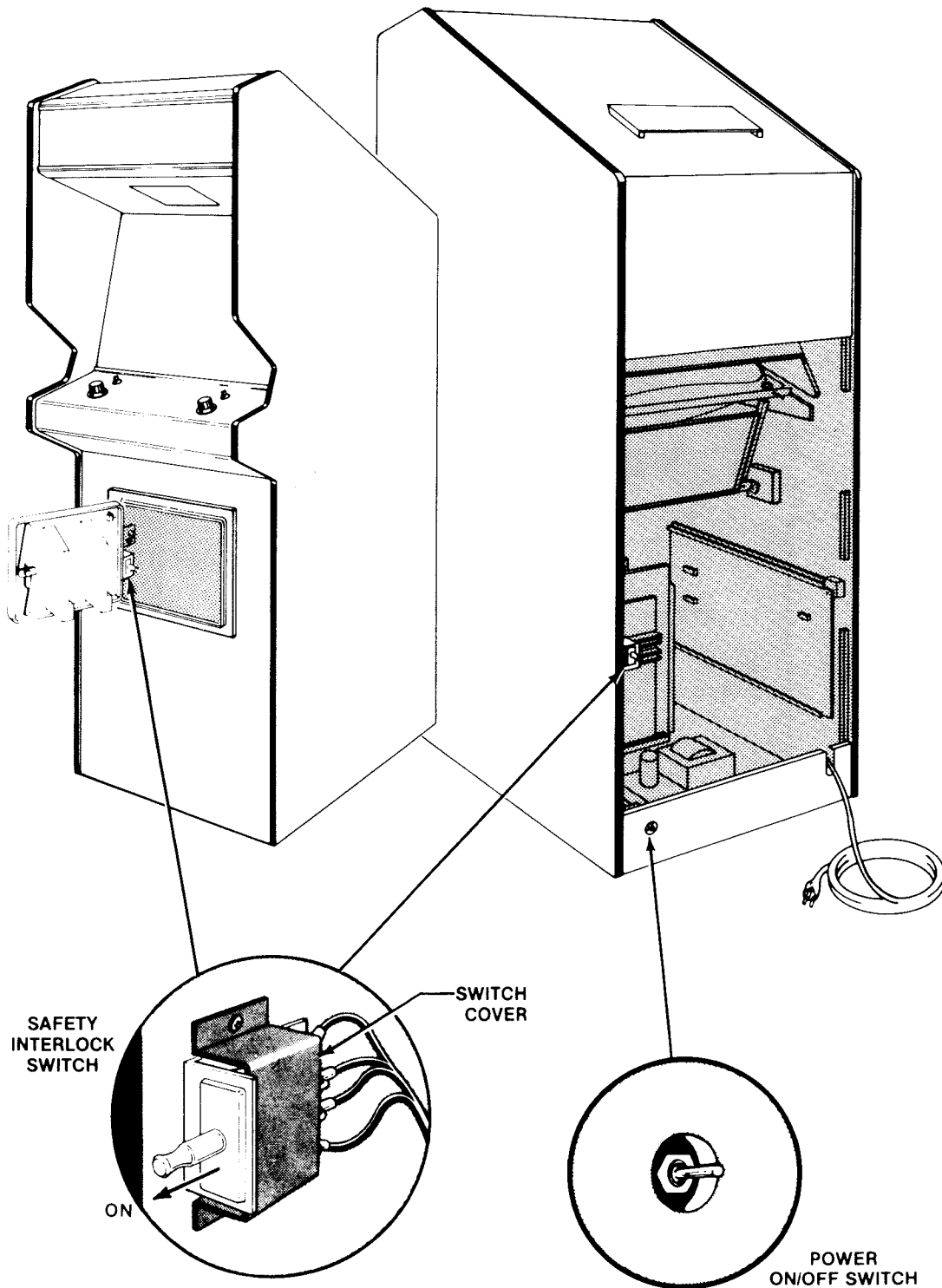


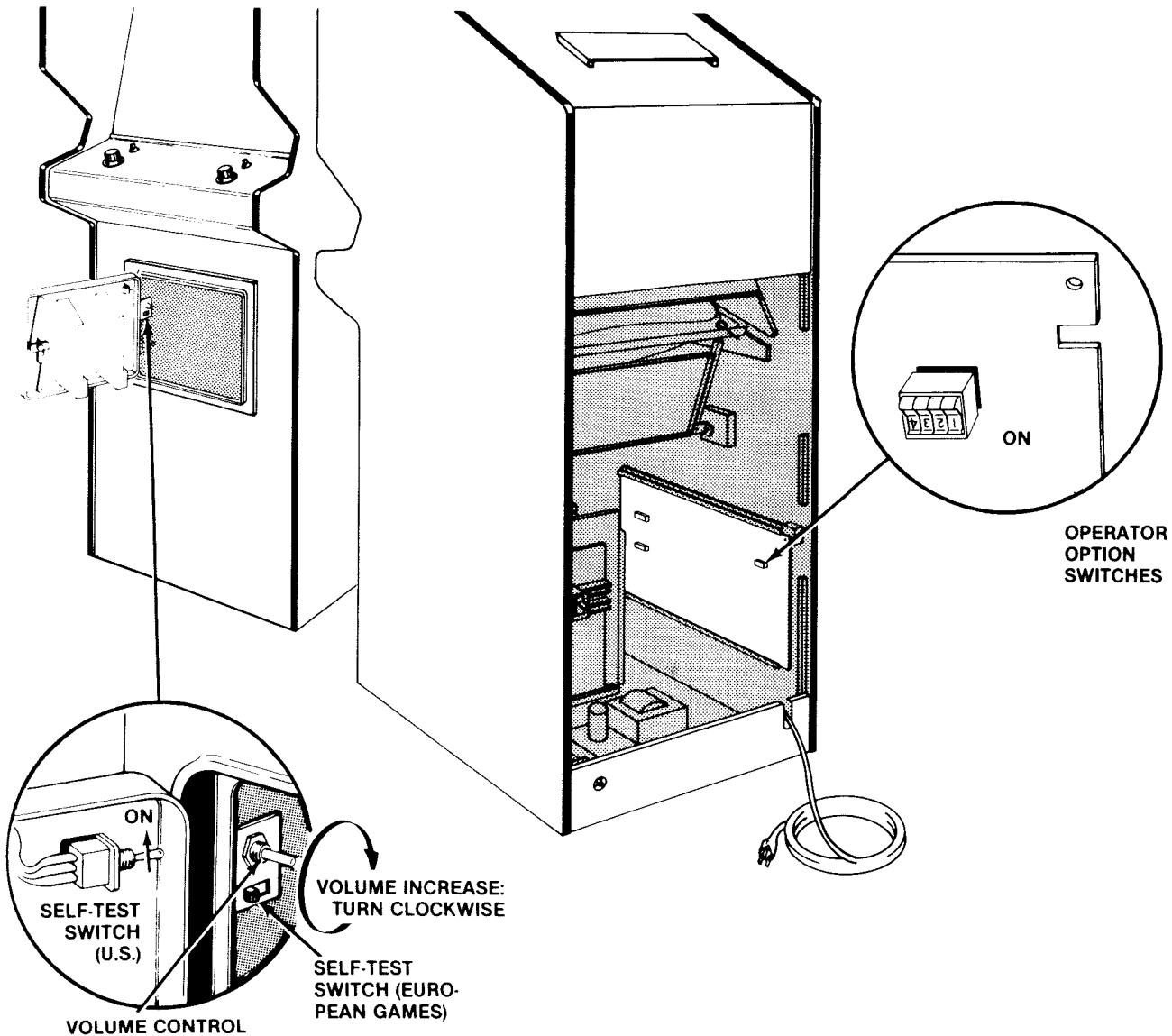
Figure 4 Interlock and Power On/Off Switches

# D. Self-Test Procedure

This game will test itself and provide data to demonstrate that the game's circuitry and controls are operating properly. The data is provided on the monitor, the light-emitting-diode switches, and the game speaker; no additional equipment is necessary.

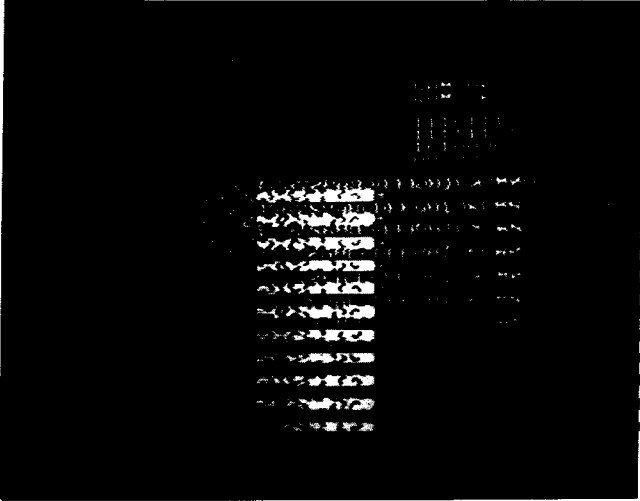
Part of the self-test procedure includes a display of the operator-selectable game options. Therefore, we suggest you run the self-test procedure anytime you need to change the game's options.

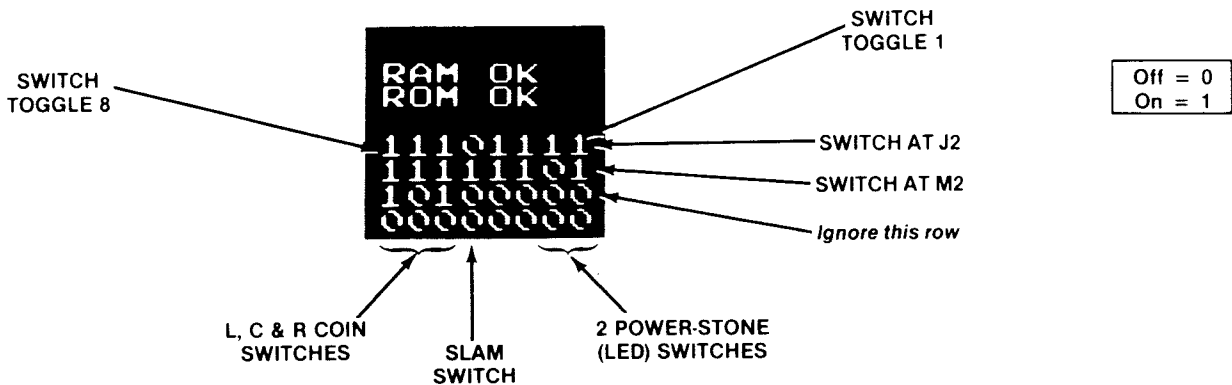
To run the self-test, follow the instructions outlined in Figure 6.



**Figure 5 Location of Self-Test Switch, Volume Control and Option Switches**

## Figure 6 Self-Test Procedure

Instruction	Results if Test Passes	Results if Test Fails
<p>1. Unlock and open the coin door. Set self-test switch to <b>on</b> position (see Figure 5).</p>	<p>The monitor displays the picture below. You may hear a ticking sound. This is normal.</p>	<p><b>RAM FAILURE</b> is indicated by the message <i>BAD RAM</i>. <b>ROM/PROM FAILURE</b> is indicated by the message <i>BAD ROM</i>.</p>
		
<p>2. Turn each shield control knob slowly back and forth and observe the monitor.</p>	<p>A fireball will move smoothly on a diagonal across the screen. Ignore any "wraparound" that the fireball does on the screen.</p>	<p>A fireball will jump erratically or not move at all, indicating a bad potentiometer or loose harness wires.</p>
<p>3. Activate the following switches: slam, coin mechanism, and two LED switches.</p>	<p>You will hear a high tone; also, one of the characters in the 4th row of 0s and 1s on the screen will change to a 1 (on). Simultaneously pressing more and more switches will progressively lower the tone. Tone disappears when all switches are released.</p>	<p>A low tone produced while you are not pressing any switches indicates at least two switches are shorted together. No sound at all indicates bad sound circuitry, loose speaker wires, bad switch circuitry or volume control turned all the way down.</p>
<p>4. When satisfied with test, set self-test switch to <b>off</b> position. Close and lock the coin door.</p>	<p>All coin acceptor and LED lamps are lit.</p>	<p>Either some or all lamps are dark (burned out).</p>



# E. Option Switch Settings

## 1. Bonus Play Feature

Warlords™ offers a bonus play for certain combinations of coins inserted. This bonus feature is operator-selectable, meaning you may choose to offer it or not.

With your game set at 50¢ per play, players who deposit four successive quarters or a \$1.00 coin, then press the start button, can receive a bonus play. Therefore, players can receive 3 plays for \$1.00.

This bonus feature encourages players to insert more money than just the minimum 50¢ required for one game. Various other bonuses are also available (see Figure 8).



**Figure 7 Game Option Settings**

To change toggle positions on the switch assemblies, you need not remove the game PCB. The switches, usually colored blue, are easily accessible when the Warlords™ Game PCB is mounted in place.

When changing the options, verify proper results on the monitor display **by performing the self-test**. Note that changing an option on any of the following eight toggles will cause an immediate change on the monitor screen during the self-test.

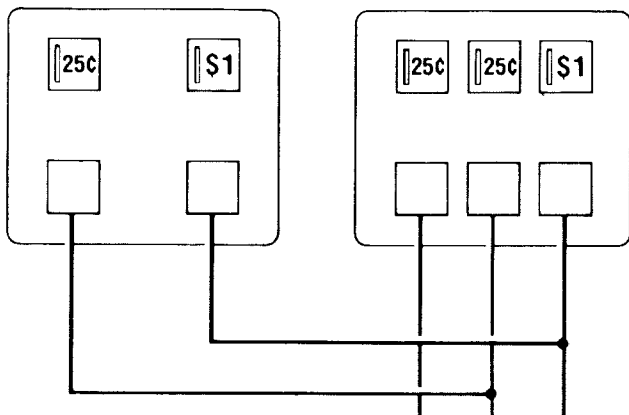
Toggle Settings of 8-Toggle Switch on Warlords PCB (at J2—CENTER LEFT switch when PCB is in game)								Option
8	7	6	5	4	3	2	1	
						On	On	English language \$
						On	Off	French language
						Off	On	Spanish language
						Off	Off	German language
Not Used	Not Used			Not Used	On			Music ends each game. \$
					Off			Music at end of game only for a new high score (1- and 2-player games only).
		On	On					1- to 2-player game costs 1 credit.
		On	Off					1-player game costs 1 credit; 2-player game costs 2 credits. \$
		Off	Off					1- to 2-player game costs 2 credits.
		Off	On					Not Used.

\$ Manufacturer's suggested settings  
For pricing for "credits", see Figure 9.

## 2. Coin Mechanism Multipliers

Since early in 1980, Atari has made available its new coin door which has either two or three mechanisms. All recent Atari game PCBs identify the different mechanisms in a certain pattern.

The right coin mechs are all the same to the game's logic, regardless of whether you have two or three mechs in your door. In addition, the logic sees the left mech in a 2-mech door and the center mech in a 3-mech door as the same. Refer to the diagram below.



This pattern is important for you to know, so you can correctly set the "multipliers" for each mech. The multipliers determine how much each mechanism will be worth to the game's logic.

The basic unit of measurement is 25¢, which equals a multiplier of  $\times 1$ . Therefore, if you have a 25¢/25¢/\$1 coin door, you will probably want to set the center and right option-switch multipliers at  $\times 1/\times 4$ . (The left mech in a 3-mech door always has a value of  $\times 1$ —you cannot change its value.)

You can set these multipliers with toggles 3 thru 5 on the Warlords™ PCB switch assembly at location M2. For exact settings of these toggles, refer to Figure 8.

## 3. Examples of Game Price Settings

Figure 8 explains the options, giving twelve examples of the most common U.S. situations. The toggles mentioned below are all in the switch at location M2; they **only** relate to game price, coin mechanism multipliers, and bonus plays. You should set the toggles relating to other functions as you see fit, although Figures 7, 8, and 9 provide "\$" symbols indicating Atari's recommendations.





### Figure 8 Game Price Settings

The white block below contains Atari's suggested settings. All numbers 1 thru 8 are toggle settings on the 8-toggle switch at location M2, on the Warlords™ game PCB (the **UPPER LEFT** switch assembly).

#### 50¢ PER CREDIT:

	No bonus	Bonus \$1.00 = 3 credits	Bonus \$.50 = 1 credit \$.75 = 2 credits \$1.00 = 3 credits
<b>Straight 25¢ Door</b>	① 8 On 7 On 6 On 5 On 4 On 3 On 2 Off 1 Off	③ 8 On 7 Off 6 Off 5 On 4 On 3 On 2 Off 1 Off	④ 8 On 7 On 6 Off 5 On 4 On 3 On 2 Off 1 Off
<b>25¢/\$1.00 Door or 25¢/25¢/\$1.00 Door</b>	① 8 On 7 On 6 On 5 On 4 On 3 Off 2 Off 1 Off	③ 8 On 7 Off 6 Off 5 On ⑤ 4 On 3 Off 2 Off 1 Off	④ 8 On 7 On 6 Off 5 On ⑤ 4 On 3 Off 2 Off 1 Off

#### 25¢ PER CREDIT:

	No bonus	Bonus \$.50 = 3 credits	Bonus \$1.00 = 5 credits
<b>Straight 25¢ Door</b>	② 8 On 7 On 6 On 5 On 4 On 3 On 2 Off 1 On	⑦ 8 On 7 On 6 Off 5 On 4 On 3 On 2 Off 1 On	⑦ 8 On 7 Off 6 On 5 On 4 On 3 On 2 Off 1 On
<b>25¢/\$1.00 Door or 25¢/25¢/\$1.00 Door</b>	② 8 On 7 On 6 On 5 On 4 On 3 Off 2 Off 1 On	⑦ 8 On 7 On 6 Off 5 On 4 On 3 Off 2 Off 1 On	⑦ 8 On 7 Off 6 On 5 On 4 On 3 Off 2 Off 1 On

Circled numbers refer to coin-door labels you should use with each situation (labels are illustrated on the following page).

### Figure 8 Game Price Settings, continued

For your information, we have defined below the switch settings for those options relating to game price, coin mechanism multipliers, and bonus play. This information is useful in case you

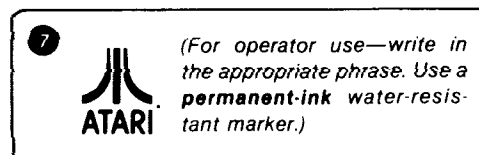
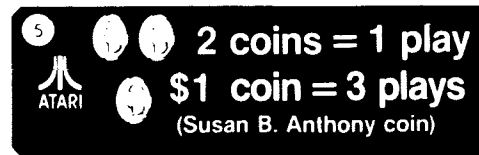
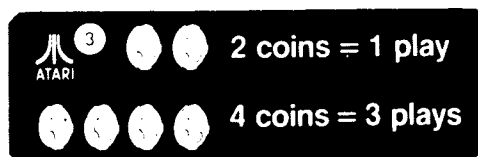
need to temporarily set the Warlords™ game on free play, or if you have German coin mechanisms in your door.

Toggle Settings of 8-Toggle Switch on Warlords PCB (at M2—UPPER LEFT switch when PCB is in game)								Option
8	7	6	5	4	3	2	1	
						On	On	Free play
						On	Off	1 coin* for 2 credits
						Off	On	1 coin* for 1 credit \$
						Off	Off	2 coins* for 1 credit
				On	On			Right coin mech × 1 \$
				On	Off			Right coin mech × 4
				Off	On			Right coin mech × 5
				Off	Off			Right coin mech × 6
			On					Left coin mech × 1 \$
			Off					Left coin mech × 2
								<i>Both these settings affect the center mech in a 3-mech door)</i>
On	On	On						No bonus coins
On	On	Off						For every 2 coins* inserted, game logic adds 1 more coin*
On	Off	On						For every 4 coins* inserted, game logic adds 1 more coin*
On	Off	Off						For every 4 coins* inserted, game logic adds 2 more coins* \$
Off	On	On						For every 5 coins* inserted, game logic adds 1 more coin*

\* In the U.S., a coin is defined as 25¢. In Germany a coin is 1 DM.

**\$ Manufacturer's suggested settings**

To receive any bonus "coins" from the game logic (as listed in the last four settings above), players must insert all coins **before** pressing any start button.



## Figure 9 Coin Counter Option Settings

[These toggles determine which coin mechanisms activate which counters]

Toggle Settings of 4-Toggle Switch on Game PCB (L9)				Two coin acceptors in the coin door:	Two coin acceptors and a push-button utility coin switch in the game:	Three coin acceptors in the coin door:
4	3	2	1			
		On	On	Both acceptors activate all coin counters simultaneously.	<i>Do not use this setting.</i>	All 3 are same denomination and they activate all coin counters simultaneously.
		Off	On	Both acceptors activate 2 counters separately.	<i>Do not use this setting.</i>	Left and center acceptor activate one coin counter; right acceptor activates another coin counter.
Not Used	Not Used	On	Off	Both acceptors activate all coin counters simultaneously.	Utility coin switch will not activate a coin counter, if you do not hook it up. Both acceptors activate all coin counters simultaneously.	Left acceptor activates one coin counter; center and right acceptor activate another coin counter. <i>Not for any currently designed 3-mech coin door.</i>
		Off	Off	Both acceptors activate 2 counters separately. \$	Utility coin switch will not activate a coin counter, if you do not hook it up. Left and right acceptors activate 2 coin counters separately.	Left, center and right acceptors activate 3 coin counters separately. \$

\$ Manufacturer's suggested settings

## F. Game Play

Atari's Warlords™ is a one- or two-player game with a black-and-white raster-scan monitor. The game depicts a third-person view of four castles. The knights and kings use shields to defend their castle walls from the fireballs that ricochet around the playfield.

Players can capture and catapult the fireballs at opposing castles, using their shield control and "power stone" pushbutton. When a fireball hits a castle wall, it destroys one or more bricks, depending on its speed.

A position not paid for is played by the computer, with a black knight displayed in the appropriate castle. (The upper two castles always have black knights in them.) The computer-controlled knights catapult fireballs at the players with increasing accuracy, to provide challenge.

The game has five possible modes of operation: attract, ready-to-play, play, high score initial, and self-test. Self-test is a special mode for checking the game switches, potentiometers, and computer functions. You may enter this mode at any time. When entered, all game credits are cancelled.

### 1. Attract Mode

The attract mode begins when power is applied to the game, after a play or high score initial mode, or after self-test. This mode is continuous and is only interrupted when a game is paid for and accepted or when you enter self-test.

In this mode, the monitor displays a simulated game of two computer-controlled black knights. A fireball bounces across the playfield, knocking several bricks out of castle walls.

If you select one of the three coined-play settings, the screen shows *GAME OVER/INSERT COINS*, followed by various messages regarding number of coins required for multi-player games. If you set the appropriate option switches for free play, the game displays the message *PRESS PLAYER START*.

Invisible shields move around to protect their respective castle walls. This is why the fireball appears to be deflected from something near the middle of the playfield.

## 2. Ready-to-Play Mode

This mode begins when sufficient coins have been accepted for at least a one-player game. It ends when either player presses a start pushbutton and the subsequent countdown has ended. The countdown lasts about 10 seconds (counting from 9 to 0) and allows another player to insert coins and join the first player.

## 3. Play Mode

The play mode begins when either start button is pressed and the countdown has ended. The mode ends when the last player's castle (containing a crown) has been penetrated by a fireball. At this point a white cloud envelops the crown, and the latter disappears.

During the countdown a dragon flies back and forth across the screen with a fireball in its mouth. At the end of the countdown, a position activated by a start button has its black knight changed to a king's crown. A position not activated remains as a knight and is controlled by the computer. The dragon then spits the fireball from its mouth toward a player's castle.

The objective is to destroy the three other castles, while protecting one's own castle with the moving shield (potentiometer). The LED pushbuttons have dual functions: in the ready-to-play mode they work as start switches, and during game play they become "power stones" to allow players to capture and catapult fireballs at opponents.

The spinning fireballs released from a shield have more destructive force on a castle wall than a fireball simply deflected from another wall or the sides of the playfield. However, players will soon find out

that they cannot hold onto a fireball for long, since it slowly destroys their own castle walls adjacent to the fireball.

Additional fireballs appear at predetermined intervals or when a castle is destroyed, whichever comes first. A maximum of four fireballs simultaneously appears on the screen.

In one- and two-player games, the players' crowns will be accompanied by a zero, to begin scoring. The point-scoring system is printed on each control panel (the black knights do not earn points).

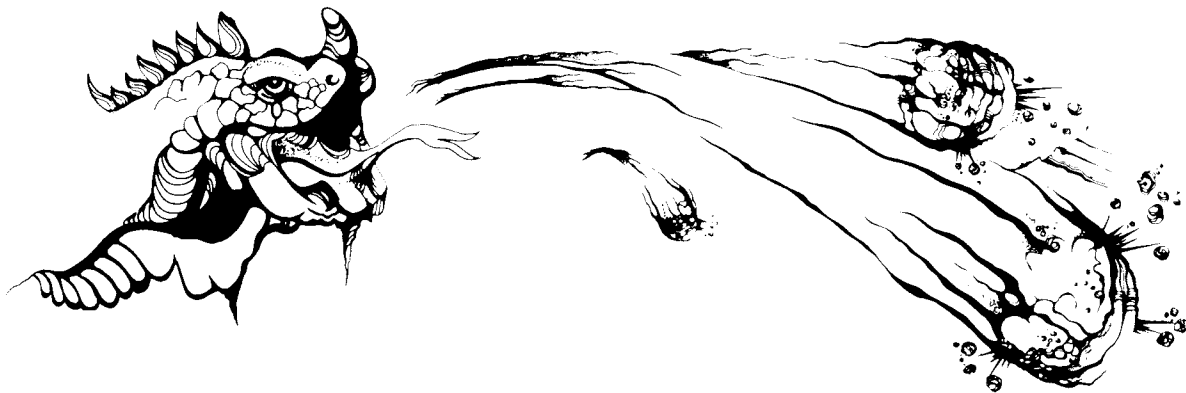
If the black knight has the surviving castle, the game ends. However, if a player (king) has the surviving castle, that player receives bonus points, all castles are rebuilt, and the game continues with a new battle at a higher "level."

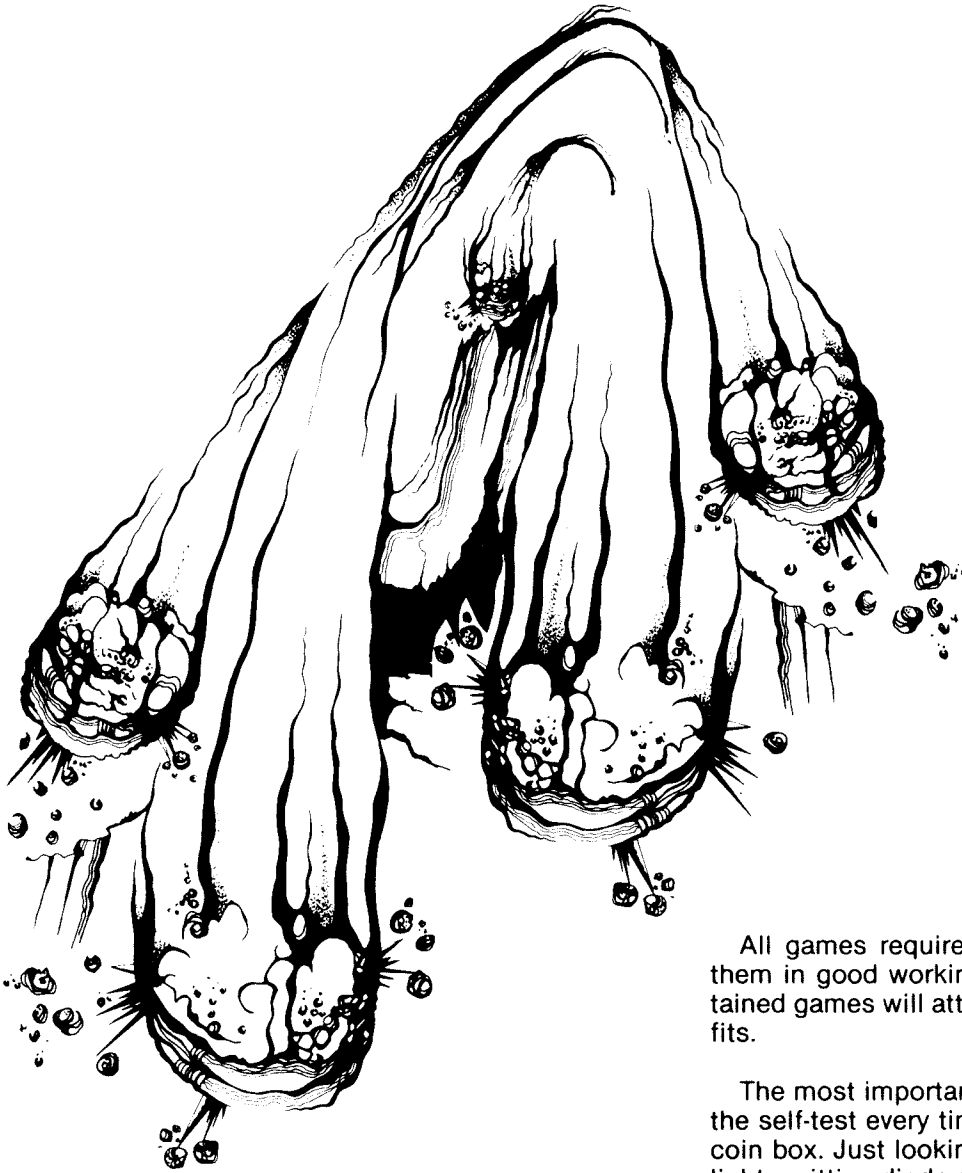
The subsequent levels begin, as mentioned before, with the fireball thrown out by the dragon. In the higher levels black knights play more accurately and faster.

If players abuse the game and activate the slam switch, the computer produces an oscillating high-pitched sound as a warning signal. However, game play is not interrupted.

## 4. High Score Initial Mode

If one or more players have achieved the highest score currently in the memory, they can enter their initials. Turning the shield-control knob will change the letters, and pressing the start button will enter the selected initial. Up to three letters will be displayed next to the individual or team high score during the attract mode.





All games require certain maintenance to keep them in good working order. Clean, properly maintained games will attract players and earn more profits.

The most important maintenance item is running the self-test every time you collect money from the coin box. Just looking at a game will not tell you if light-emitting-diode switches or potentiometers are broken, or if LEDs have burned out. The self-test will inform you of any of these possible problems.

Second, you should regularly clean the outside of the game and the coin mechanisms.

# Maintenance and Repair



## A. Cleaning

The exterior of the game cabinet and the metal and acrylic surfaces may be cleaned with any non-abrasive household cleaner. If desired, special coin machine cleaners that leave no residue can be obtained from your distributor. **Do not** dry-wipe any of the acrylic panels, because any dust can scratch the surface and result in fogging the plastic.

## B. Fuse Replacement

This game contains six fuses—all on the power supply assembly (not including the monitor fuses). Replace fuses only with the same type as listed in Figure 20 of this manual. See the monitor manual, TM-125, for the monitor fuse data.

## C. Opening the Control Panel

Prior to replacing any player control on the control panel, unplug the game. Then open the coin door.

Reach through the opening and remove both sets of carriage bolts, wing nuts, split lock washers, and large flat washers, located on the underside of the control panel (see Figure 10).

Lift up on the control panel and tilt it towards you. **Be sure that the acrylic monitor shield does not fall on you.** The top edge of the control panel acts as a

retainer strip for the shield: once the control panel is opened, the shield is free and could slide out under its own power.

### 1. LED Switch Replacement

The light-emitting diode (LED) switches on the control panel have a very low failure rate. In case a switch should ever be suspect, first test it per the description that follows. To replace the switch, refer to Figure 10.

- Remove the wires from the suspected switch.
- Set multimeter to ohms scale. Set ohms scale to  $R \times 1$ , then zero the meter.
- Connect multimeter leads to appropriate LED switch contacts (see Figure 10 for designation of switch contacts and meter lead placement).
- Check contacts (push and release the switch button) for closed and open continuity.
- If the contacts do not operate sharply or always remain closed or open, then replace the LED switch as outlined in the figure.

### 2. Potentiometer Replacement

Remove the wires from the faulty potentiometer. Using a 5/64-inch Allen wrench, loosen both set screws on the side of the shield control knob; remove this knob. Next remove the flat hex nut on the outside of the panel with a wrench. Then remove the internal-tooth lock washer.

Replace the potentiometer with a new one, making sure the hex nut and knob are tightened securely. Then reconnect the three harness wires.



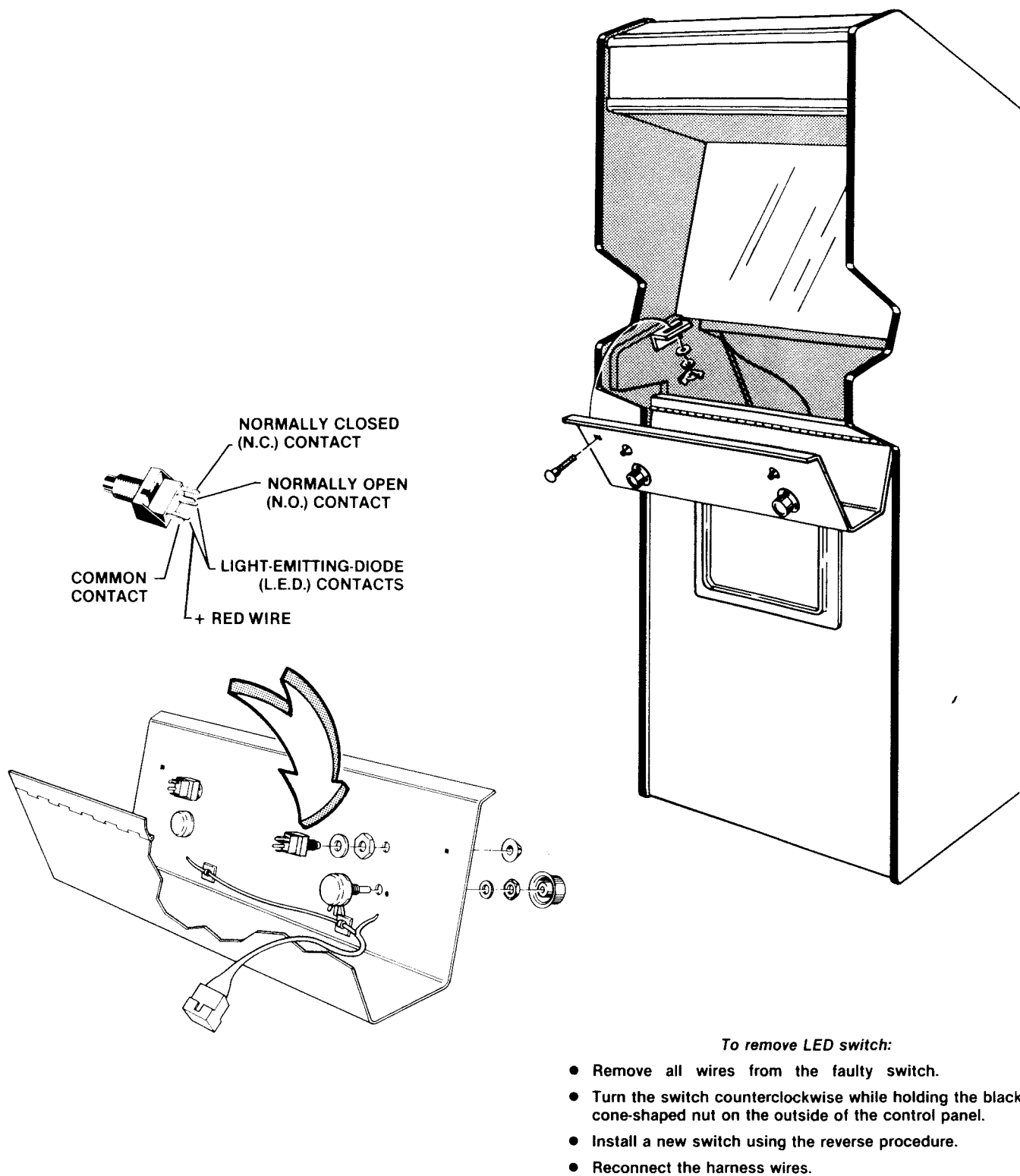


Figure 10 Opening the Control Panel and Replacing Player Controls

## D. Monitor Removal

### WARNING

#### Shock Hazard

High voltages may exist in any television or monitor, even with power disconnected. Use extreme caution and do not touch electrical parts of the yoke area with your hands or with metal objects in your hands!

#### Implosion Hazard

If you drop the monitor and the picture tube breaks, **it will implode!** Shattered glass and the yoke can fly 6 feet or more from the implosion. Use care when replacing any monitor.

If you should need to remove the monitor, follow steps 1 thru 4 that follow. Refer also to Figure 11.

1. **Unplug the game from its wall outlet!** Open the rear access panel. Reach in the opening and unplug the 12-pin harness connector at the bottom (rear) of the monitor chassis.
2. Unplug the 5-pin harness connector located at the center left side of the access panel opening.
3. Remove the two screws that hold rear of the monitor frame to the cabinet walls.
4. Locate the two black "L" brackets that hold the rear of the monitor to the cabinet walls. Remove the four screws that secure these brackets to the cabinet.
5. Slightly lift up the monitor chassis, and slide it out the rear of the game. You might have to slightly bend the bottom rear flap of the large cardboard bezel.

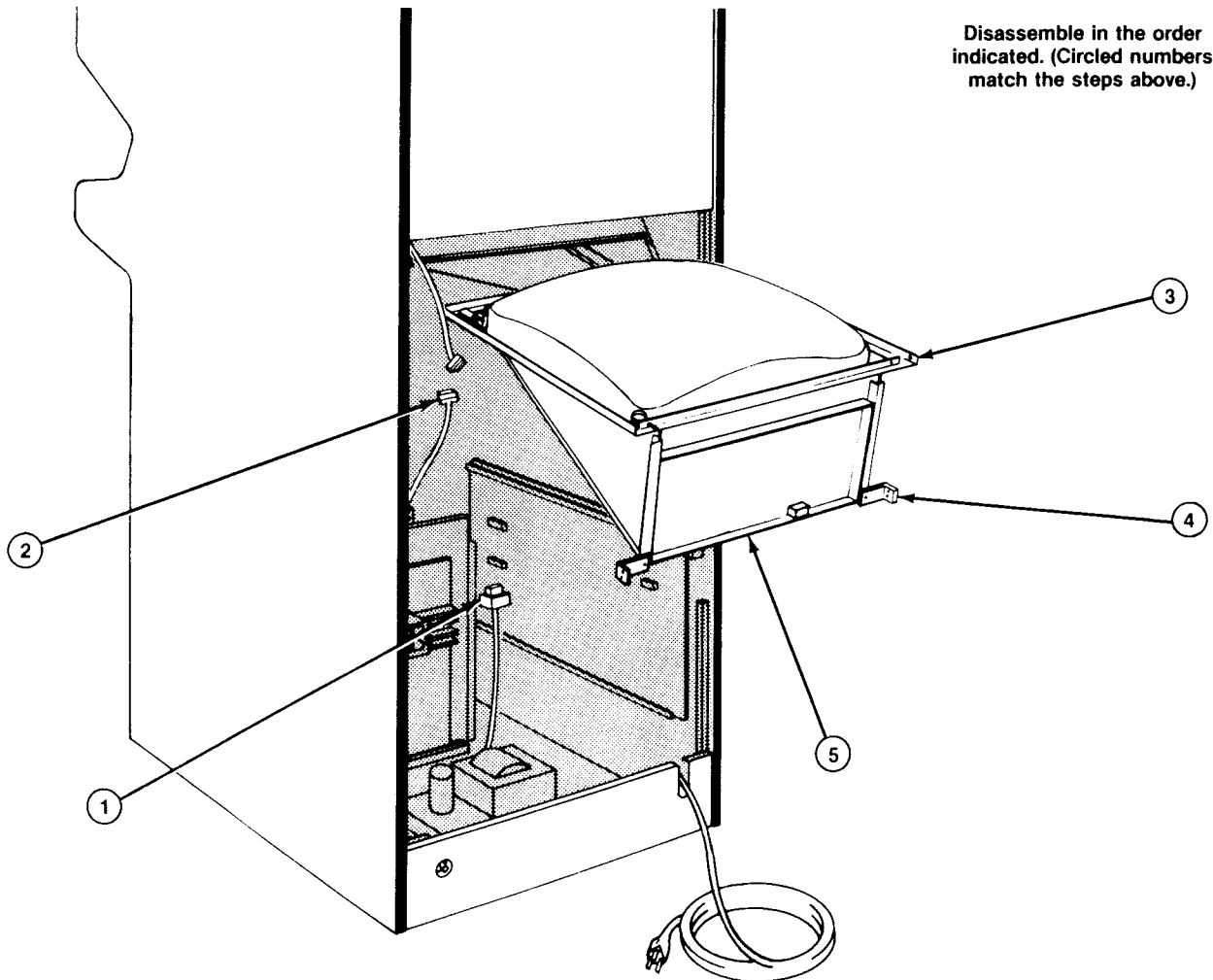


Figure 11 Monitor Removal



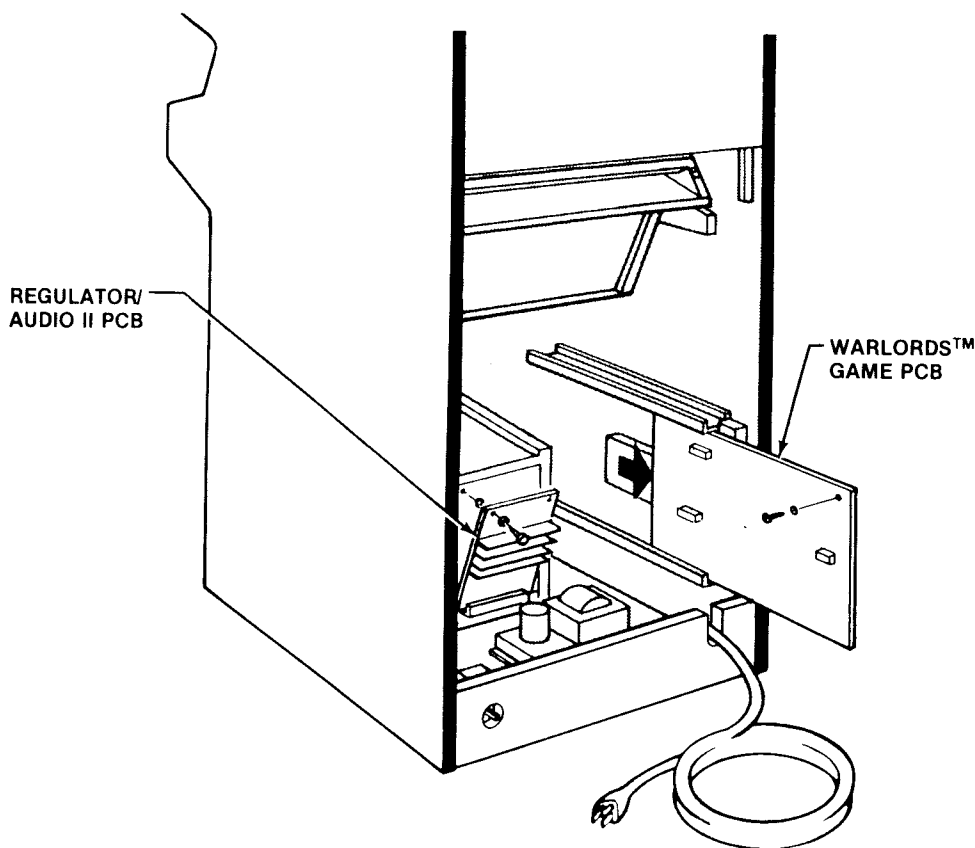


Figure 12 Printed-Circuit Board Removal

## E. Printed-Circuit Board Removal

You may wish to remove the game printed-circuit board (PCB) or the Regulator/Audio II PCB for service or inspection. To do this, refer to Figure 12 and proceed as follows:

### 1. Game PCB Removal

- Open the rear access panel.
- Remove the two beaded nylon tie wraps from the PCB's edge connector. Remove the 44-pin edge connector from the right side of PCB.
- Locate the Phillips-head screw that extends through the PCB and into the wood block (at the right side of the board). Remove and save this screw as well as the fiber washer.
- Remove the PCB from the cabinet by carefully sliding it straight out of the plastic PCB retainer. Be careful not to twist the board, as this may loosen connections or components. Replace or repair as required.

- After servicing it, reinstall the PCB, making sure that the 44-pin edge connector is properly plugged in. Note that the connector is keyed to fit on only one way, so if it doesn't slip on easily, don't force it! **A reversed connector will probably damage your game** and will void the warranty.
- Check that the operation of the game is correct by **performing the self-test**. This is especially important with any game when you replace a PCB.

### 2. Regulator/Audio II PCB Removal

- Unlock and open the access panel.
- Remove the five plug-in connectors on the Regulator/Audio II PCB. Note that all of these connectors are keyed for proper orientation.
- Locate the two Phillips-head screws that extend through the PCB and into the wood behind the PCB. Remove and save these two screws and the two fiber washers.
- Remove the PCB from the interior wall of the cabinet.

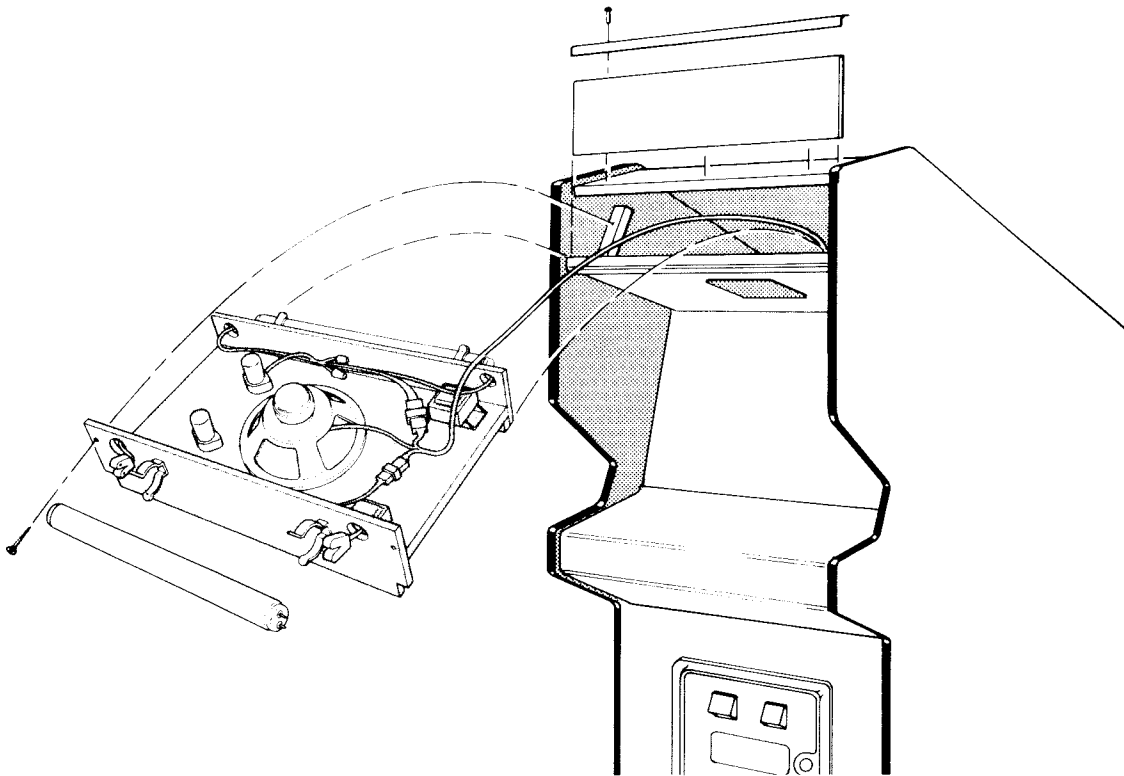


Figure 13 Fluorescent Tube Replacement

## F. Fluorescent Light and Speaker Replacement

### ⚠ WARNING ⚠

If you drop a fluorescent tube and it breaks, **it will implode!** Shattered glass can fly 6 feet or more from the implosion. Use care when replacing any fluorescent tube.

Avoid looking at the blacklight when it is on. It may damage your eyes.

To replace the fluorescent white- or blacklight tube behind the front graphics attraction panel, follow this procedure (see Figure 13):

1. Remove the three Allen-head screws and lock washers at the top of the game (they secure the black metal retainer for the attraction panel). Lift the attraction panel up and out of its lower retainer.
2. If you need to replace the **blacklight** tube, remove the two Phillips screws that secure the light board to the cabinet, and slide out the whole assembly. The harness has plenty of length, so you can pull the assembly about two feet out of the game.
3. Remove the two Y-shaped connectors from the ends of the fluorescent tube: you may find it helpful to use a flat-head screwdriver. Now carefully remove the tube from its clamps by pulling it towards you.
4. Replace with a new tube. Do not snap the tube in vigorously—you may break it, causing an **implosion!**
5. Reconnect the Y-shaped connectors. Reinstall the fluorescent light assembly with the two screws (if you removed it). Replace the attraction panel on the front of the game. When tightening the Allen screws, be sure the top retainer strip is pushed tightly back against the attraction panel.

## G. Game Operation

With this manual you received two large sheets that contain the wiring and schematic diagrams for the Warlords™/upright game. Sheet 1, Side A, includes a "table of contents" that shows the arrangement of these diagrams. They include explanations of the functions of the circuits; the diagrams also define inputs and outputs.

Atari's Warlords™ is a microprocessor-controlled game. The microprocessor is contained on the game PCB. The game PCB receives switch inputs from the control panel and coin door. These inputs are processed by the game PCB and output to the monitor, Regulator/Audio II PCB, loudspeaker, coin counter, and control panel.

The Regulator/Audio II PCB performs two functions: 1) it regulates the +10.3 VDC from the power supply to +5 VDC, and 2) it amplifies the audio output from the game PCB. The +5 VDC from the Regulator/Audio II PCB provides most logic power to the game PCB. The audio output from the Regulator/Audio II PCB directly drives the game speaker and is controlled by the volume control, mounted inside the coin door.

The power supply is the source of all voltages in the game. These voltages are protected by four fuses (F3 thru F5) on the power supply chassis. The primary winding of the power supply transformer is protected by the fuses F1 and F2 on the power supply chassis.

Figure 14 illustrates the distribution of power in this game. Figure 15 illustrates the distribution of signals.



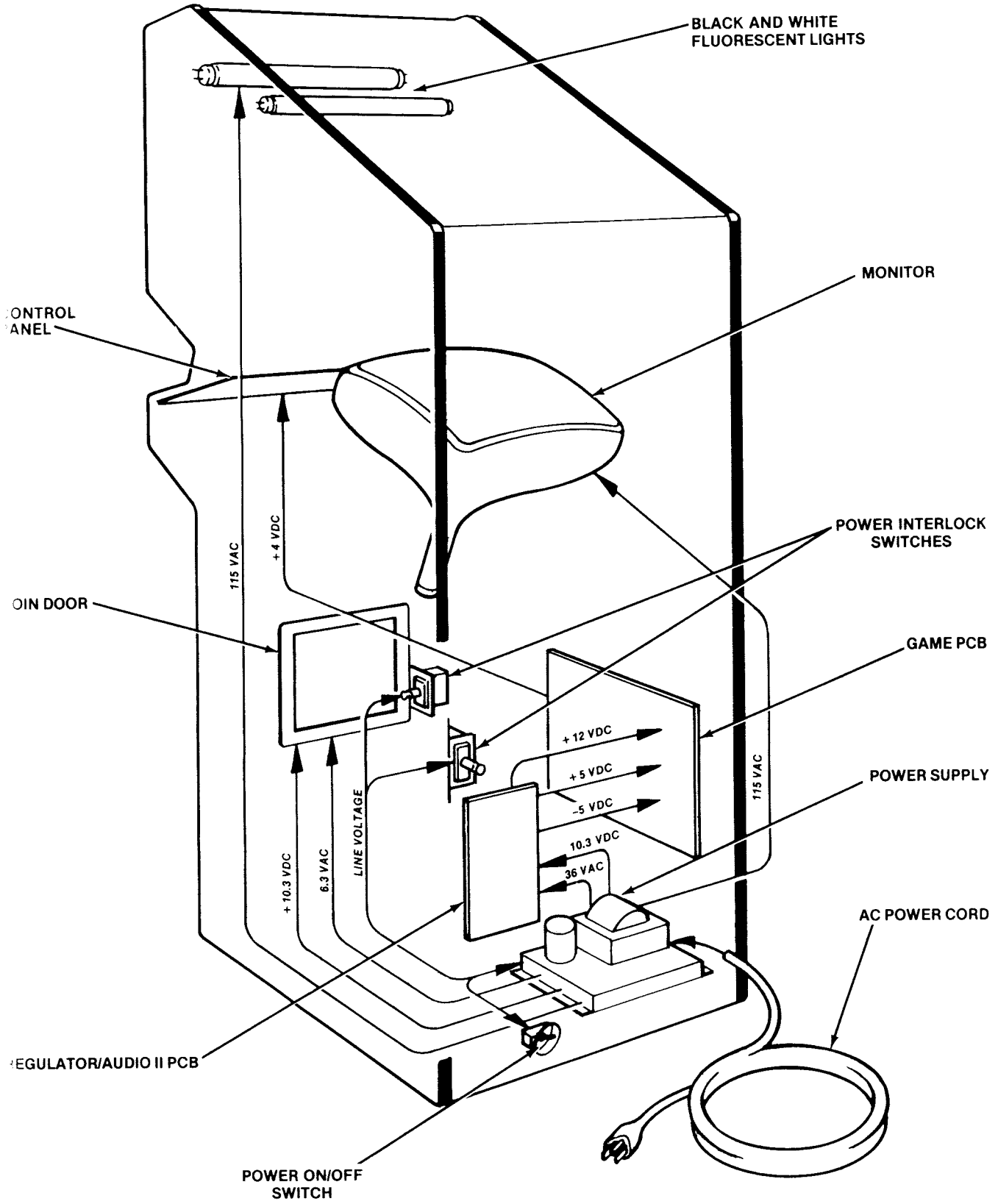


Figure 14 Power Distribution

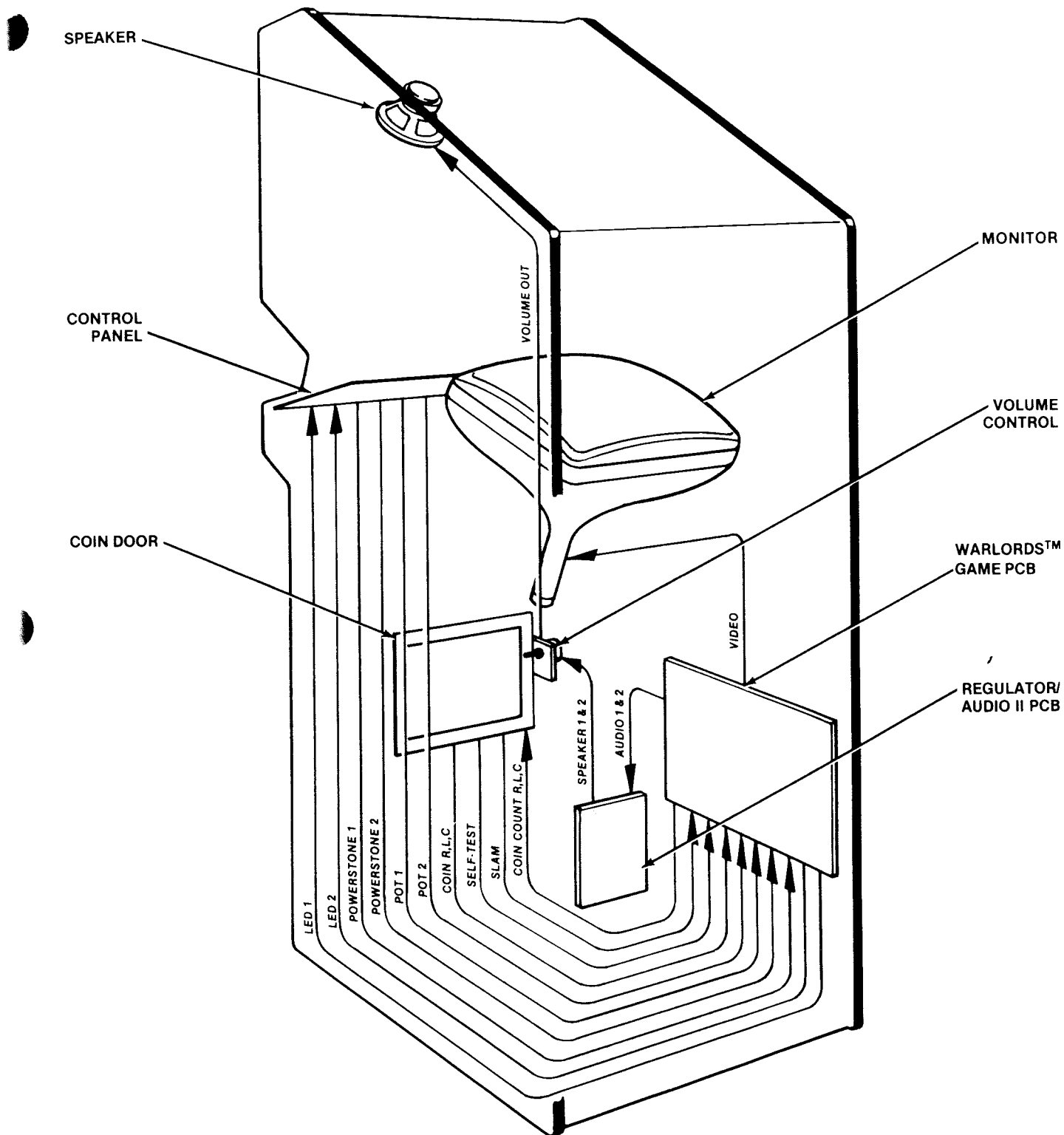
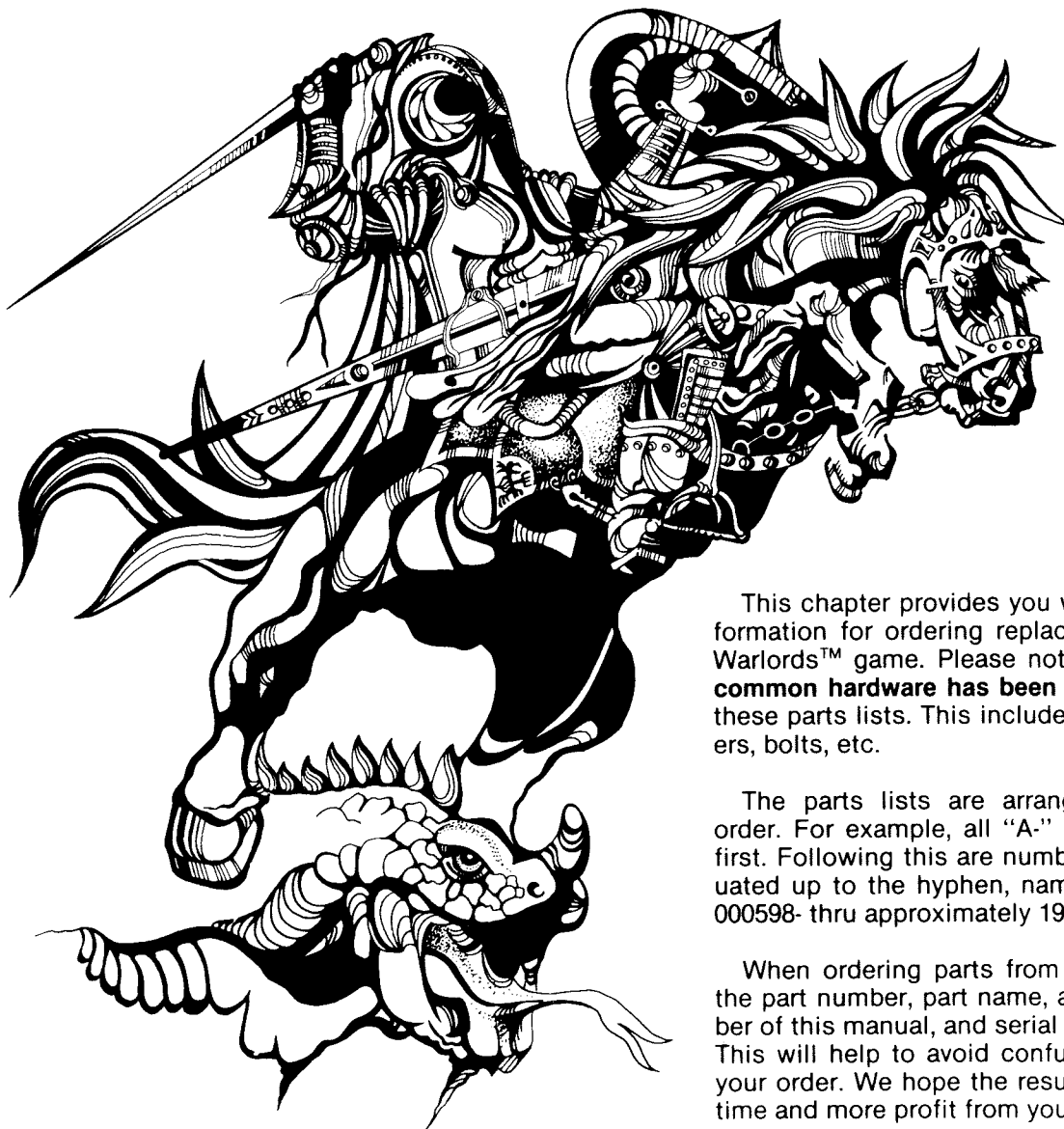


Figure 15 Signal Distribution



This chapter provides you with the necessary information for ordering replacement parts for your Warlords™ game. Please note that, for simplicity, **common hardware has been deleted** from most of these parts lists. This includes screws, nuts, washers, bolts, etc.

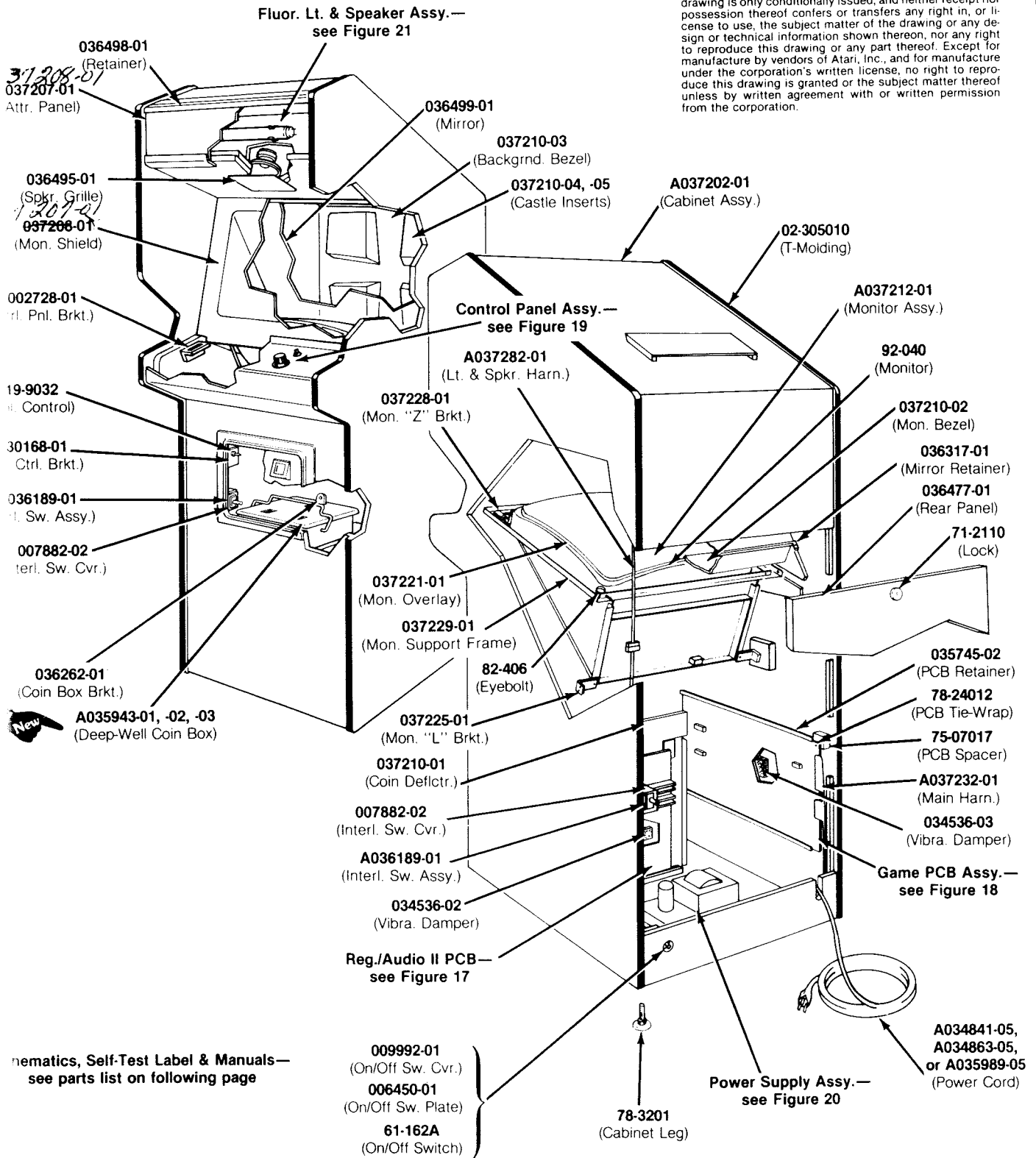
The parts lists are arranged in alphanumeric order. For example, all "A-" prefix numbers come first. Following this are numbers in sequence evaluated up to the hyphen, namely 00- thru 99-, then 000598- thru approximately 190000-.

When ordering parts from your distributor, give the part number, part name, applicable figure number of this manual, and serial number of your game. This will help to avoid confusion and mistakes in your order. We hope the results will be less downtime and more profit from your game.

# Illustrated Parts Lists



**NOTICE TO ALL PERSONS RECEIVING THIS DRAWING**  
**CONFIDENTIAL:** Reproduction forbidden without the specific written permission of Atari, Inc., Sunnyvale, CA. This drawing is only conditionally issued, and neither receipt nor possession thereof confers or transfers any right in, or license to use, the subject matter of the drawing or any design or technical information shown thereon, nor any right to reproduce this drawing or any part thereof. Except for manufacture by vendors of Atari, Inc., and for manufacture under the corporation's written license, no right to reproduce this drawing is granted or the subject matter thereof unless by written agreement with or written permission from the corporation.



Schematics, Self-Test Label & Manuals— see parts list on following page

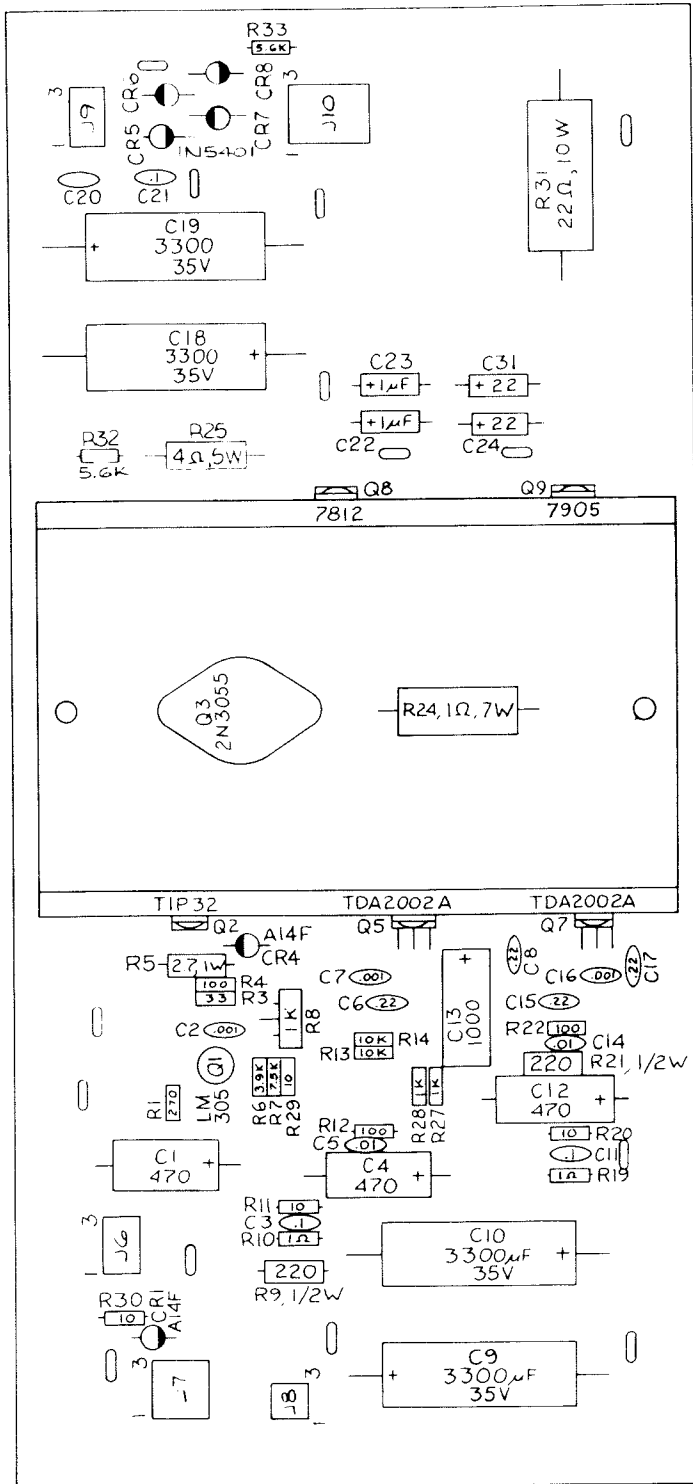
**Figure 16 Cabinet-Mounted Assemblies**  
**A037201-xx D**

## Figure 16 Cabinet-Mounted Assemblies, continued Parts List

Part No.	Description
A034841-05	U.S. Strain-Relief Power Cord
A034863-05	German Strain-Relief Power Cord
A035943-01	Deep-Well Coin Box Assembly <i>(for all the same coins)</i>
A035943-02	Deep-Well Coin Box Assembly <i>(for two different coin denominations—has one separator)</i>
A035943-03	Deep-Well Coin Box Assembly <i>(for three different coin denominations—has two separators)</i>
A035989-05	Australian Strain-Relief Power Cord
A036189-01	Interlock Switch/Bracket Assembly <i>(modified for safety)</i>
A037202-01	Wood Cabinet Assembly <i>(includes legs and PCB retainers)</i>
A037212-01	Monitor Assembly <i>(includes frame, brackets, eyebolts and all common hardware)</i>
A037232-01	Main Harness Assembly
A037282-01	Light and Speaker Harness Assembly <i>(at upper rear of game)</i>
<i>The following five items are the technical information supplements to this game:</i>	
DP-175-01	Warlords™/Upright Schematic Drawings <i>(Sheet 1)</i>
DP-175-02	Warlords/Upright Schematic Drawings <i>(Sheet 2)</i>
ST-175	Label with Self-Test Procedure and Option Switch Settings
TM-125	Technical Manual for 19- and 23-Inch Wells-Gardner Raster-Scan Monitors
TM-175	Warlords/Upright Operation, Maintenance and Service Manual
02-305010	¾-Inch Black Plastic T-Molding
19-9032	50-Ohm, 12½-Watt, Wirewound Rheostat <i>(volume control)</i>
61-162A	DPST Power On/Off Toggle Switch
71-2110	Panel Cartridge Lock Mechanism <i>(for rear access panel)</i>
75-07017	Spacer for Mounting Printed-Circuit Boards
78-24012	5-Inch Beaded Nylon Tie-Wrap <i>(for Game PCB edge connector)</i>
78-3201	Cabinet-Leveling Leg
82-406	#¼-20 Machine-Thread Eyebolt, 2 inches long overall <i>(for mounting monitor to frame)</i>
92-040	Wells-Gardner 23-Inch Monochrome Raster-Scan Monitor
002728-01	Control Panel Mounting Bracket
006450-01	On/Off Switch Mounting Plate
007882-02	Interlock Switch Cover
009992-01	On/Off Switch Cover
030168-01	Volume Control Mounting Bracket
034536-02	½-Inch-Thick Foam Vibration Damper <i>(for Regulator/Audio II PCB)</i>
034536-03	1 1/8-Inch-Thick Foam Vibration Damper <i>(for Game PCB)</i>
035745-02	18-Inch Plastic PCB Retainer
035942-01	Deep-Well Coin Box Separator
036262-01	Coin Box Bracket
036317-01	Mirror Retainer
036477-01	Rear Access Panel <i>(does not include lock)</i>
036495-01	Speaker Grille
036498-01	Retainer for Attraction Panel
036499-01	Half-Silvered (Semi-Transparent) Mirror
036686-01	Sheet of Game Pricing Labels
037207-01	Attraction Panel with Graphics
037208-01	Monitor Shield with Graphics
037210-01	Cardboard Coin Deflector
037210-02	Cardboard Monitor Bezel
037210-03	Cardboard Background Bezel
037210-04	Cardboard Castle Insert
037210-05	Cardboard Castle Insert <i>(If replacing these inserts, note that all castle doors should face the bridges)</i>
037221-01	Monitor Overlay with Graphics
037225-01	Monitor Support "L" Bracket <i>(at rear two corners of chassis)</i>
037228-01	Monitor Support "Z" Bracket <i>(at top two corners of screen)</i>
037229-01	Steel Monitor Support Frame







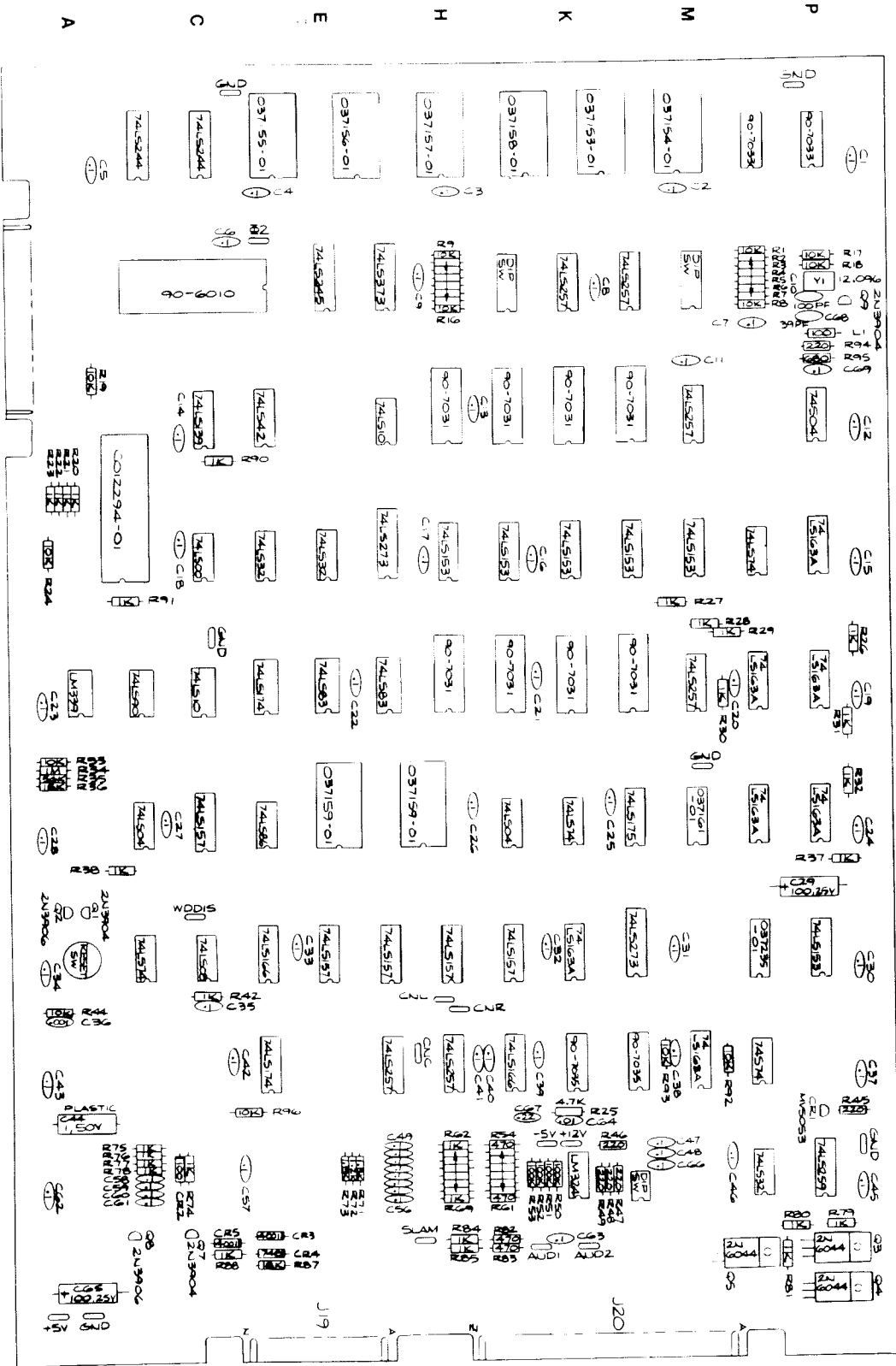
NOTICE TO ALL PERSONS RECEIVING THIS DRAWING  
 CONFIDENTIAL: Reproduction, forbidden without the  
 specific written permission of Atari, Inc., Sunnyvale, CA.  
 This drawing is only conditionally issued, and neither  
 receipt nor possession thereof confers or transfers any  
 right in, or license to use, the subject matter of the draw-  
 ing or any design or technical information shown thereon,  
 nor any right to reproduce this drawing or any part  
 thereof. Except for manufacture by vendors of Atari, Inc.,  
 and for manufacture under the corporation's written  
 license, no right to reproduce this drawing is granted or  
 the subject matter thereof unless by written agreement  
 with or written permission from the corporation.

Figure 17 Regulator/Audio II PCB Assembly  
 A035435-02 D

## Figure 17 Regulator/Audio II PCB Assembly Parts List

Part No.	Description (Reference Designations and Locations in Bold)
12-52P7	2.7 Ohm, $\pm 5\%$ , 1W Resistor (R5)
16-54PO	4 Ohm, $\pm 5\%$ , 5W Wirewound Resistor (R25)
19-100P1015	.1 Ohm, $\pm 3\%$ , 7W Wirewound Resistor (R24)
19-315102	1K Ohm Vertical PCB-Mounting Cermet Trimpot (R8)
24-250108	1000 uf Aluminum Electrolytic Fixed Axial-Lead 25V Capacitor (C13)
24-250477	470 uf Aluminum Electrolytic Fixed Axial-Lead 25V Capacitor (C1, 4, 12)
24-350226	22 uf Aluminum Electrolytic Fixed Axial-Lead 35V Capacitor (C24, 31)
24-350338	3300 uf Aluminum Electrolytic Fixed Axial-Lead 35V Capacitor (C9, 10, 18, 19)
24-500105	1 uf Aluminum Electrolytic Fixed Axial-Lead 50V Capacitor (C22, 23)
29-088	.1 uf Ceramic-Disc 25V Radial-Lead Capacitor (C3, 11, 20, 21)
31-1N4002	100V 1-Amp. Silicon Rectifier Type 1N4002 Diode (CR1, 4-8)
31-5401	100V 3-Amp. Silicon Rectifier Type 1N5401 Diode (CR 5-8)
33-TIP32	PNP Power Transistor, Type TIP32 (Q2)
34-2N3055	NPN Silicon Transistor, Type 2N3055 (Q3)
37-LM305	5V Linear Voltage Regulator (Q1)
37-7812	+ 12V Voltage Regulator, Type 7812 (Q8)
37-7905	- 5V Voltage Regulator, Type 7905 (Q9)
72-1608C	#6-32 $\times$ 1/2-Inch Cross-Recessed Pan-Head Corrosion-Resistant Steel Machine Screw
75-F60405	#6-32 $\times$ 1/4-Inch Binder-Head Nylon Screw
75-99516	#6-32 Nut/Washer Assembly
78-16008	Thermally Conductive Compound (Q3)
78-16014	Thermally Conductive Silicon Insulator (Q2, 9)
79-58306	6-Position Connector Receptacle (J6, 9)
79-58308	9-Position Connector Receptacle (J7)
79-58346	12-Position Connector Receptacle (J10)
79-58354	4-Position Connector Receptacle (J8)
020670-01	Test Point
034531-01	Heat Sink
100015-103	.01 uf Ceramic-Disc 25V Radial-Lead Capacitor (C5, C14)
110000-010	1 Ohm, $\pm 5\%$ , 1/4 W Resistor (R10, 19)
110000-100	10 Ohm, $\pm 5\%$ , 1/4 W Resistor (R11, 20, 29, 30)
110000-101	100 Ohm, $\pm 5\%$ , 1/4 W Resistor (R4, 12, 22)
110000-102	1K Ohm, $\pm 5\%$ , 1/4 W Resistor (R27, 28)
110000-103	10K Ohm, $\pm 5\%$ , 1/4 W Resistor (R13, 14)
110000-271	270 Ohm, $\pm 5\%$ , 1/4 W Resistor (R1)
110000-330	33 Ohm, $\pm 5\%$ , 1/4 W Resistor (R3)
110000-392	3.9K Ohm, $\pm 5\%$ , 1/4 W Resistor (R6)
110000-562	5.6K Ohm, $\pm 5\%$ , 1/4 W Resistor (R32, 33)
110000-752	7.5K Ohm, $\pm 5\%$ , 1/4 W Resistor (R7)
110001-221	220 Ohm, $\pm 5\%$ , 1/2 W Resistor (R9, 21)
116000-220	22 Ohm, $\pm 5\%$ , 10W Wirewound Resistor (R31)
122002-102	.001 uf Ceramic-Disc Minimum 25V Radial-Lead Capacitor (C2, 7, 16)
122004-224	.22 uf Ceramic-Disc 25V Capacitor (C6, 8, 15, 17)
137151-002	Type TDA2002A 8W Linear Audio Amplifier Integrated Circuit (Q5, 7)

**NOTICE TO ALL PERSONS RECEIVING THIS DRAWING**  
 CONFIDENTIAL. Reproduction forbidden without the specific written permission of Atari, Inc., Sunnyvale, CA. This drawing is only conditionally issued, and neither receipt nor possession thereof confers or transfers any right in, or license to use, the subject matter of the drawing or any design or technical information shown thereon, nor any right to reproduce this drawing or any part thereof. Except for manufacture by vendors of Atari, Inc., and for manufacture under the corporation's written license, no right to reproduce this drawing is granted or the subject matter thereof unless by written agreement with or written permission from the corporation.



**Figure 18 Warlords™ Game PCB Assembly A036434-01 and -02 B**

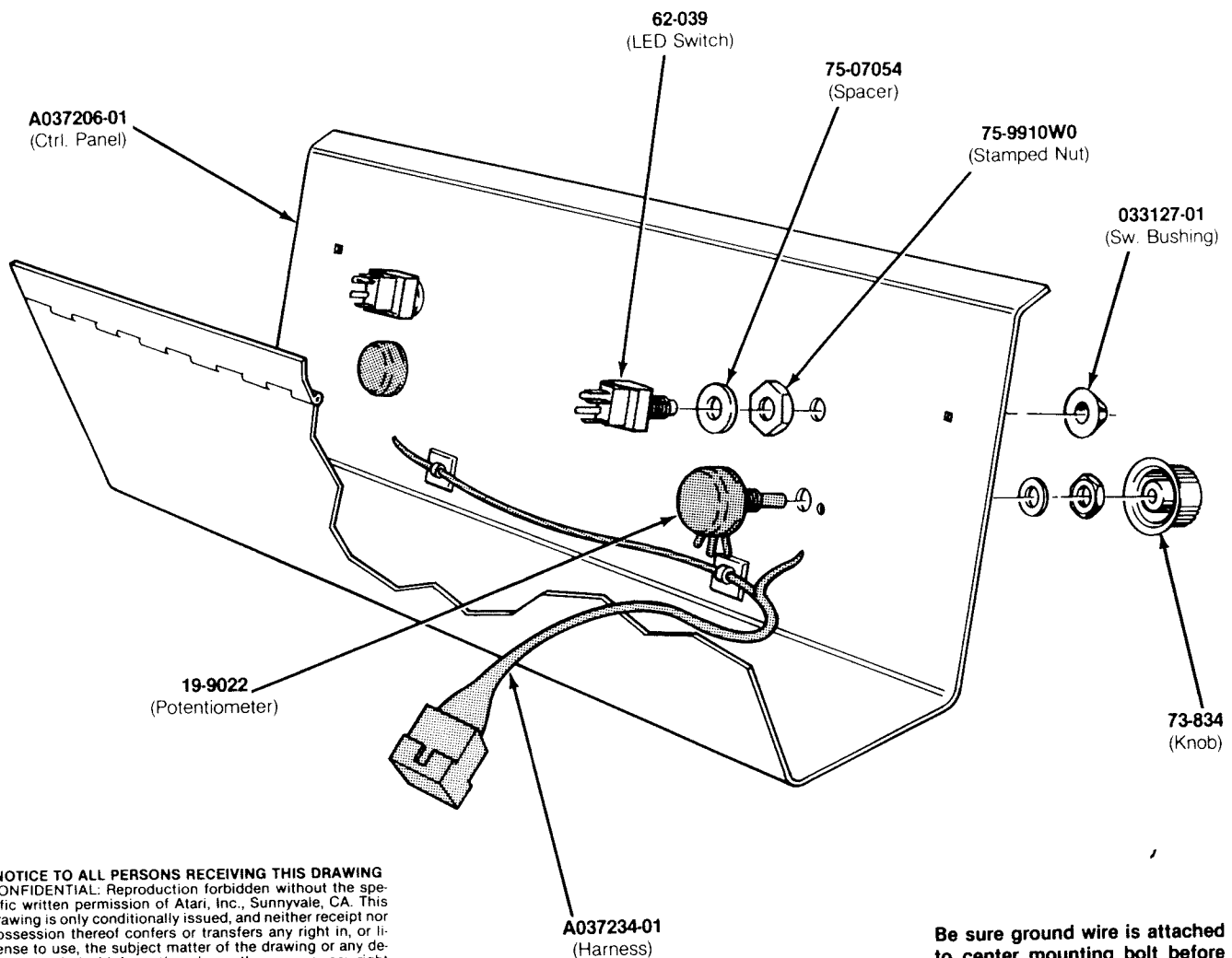
## Figure 18 Warlords™ Game PCB Assembly, continued Parts List

Part No.	Description (Reference Designations and Locations in Bold)
C012294-01	Audio I/O N-Channel MOS/LSI Custom Chip (B3/4)
24-250107	100 uf Aluminum Electrolytic Fixed Axial-Lead 25V Capacitor (C29, 65)
28-101101	100 pf Radial-Lead Epoxy-Dipped 100V Mica Capacitor (C10)
28-101390	39 pf Radial-Lead Epoxy-Dipped 100V Mica Capacitor (C68)
29-088	.1 uf Ceramic-Disc 25V Radial-Lead Capacitor (C1-9, 11-28, 30-35, 37-43, 45-63, 66, 69)
31-1N100	100V Type-1N100 Switching Diode (CR2)
31-1N4001	75V Type-1N4001 Switching Diode (CR3, 5)
33-2N3906	Type-2N3906 PNP Switching and Amplifying Transistor (Q2, 8)
34-2N3904	Type-2N3904 NPN Silicon Transistor (Q1, 7, 9)
34-2N6044	Type-2N6044 Darlington NPN Transistor (Q3-5)
37-LM324	Type-LM324 Integrated Circuit (K9)
37-LM339	Type-LS339 Integrated Circuit (A5)
37-74LS00	Type-74LS00 Integrated Circuit (C4)
37-74LS04	Type-74LS04 Integrated Circuit (B6, J6)
37-74LS08	Type-74LS08 Integrated Circuit (C7)
37-74LS10	Type-74LS10 Integrated Circuit (C5, F3)
37-74LS32	Type-74LS32 Integrated Circuit (D4, E4, N9)
37-74LS42	Type-74LS42 Integrated Circuit (D3)
37-74LS74	Type-74LS74 Integrated Circuit (N4, K6, B7)
37-74LS83	Type-74LS83 Integrated Circuit (E5, F5)
37-74LS86	Type-74LS86 Integrated Circuit (D6)
37-74LS90	Type-74LS90 Integrated Circuit (B5)
37-74LS139	Type-74LS139 Integrated Circuit (C3)
37-74LS153	Type-74LS153 Integrated Circuit (H4, J4, K4, L4, M4, P7)
37-74LS157	Type-74LS157 Integrated Circuit (E7, F7, H7, J7, C6)
37-74LS163A	Type-74LS163A Integrated Circuit (M8, K7, P4, P5, P6, N5, N6)
37-74LS166	Type-74LS166 Integrated Circuit (D7, J8)
37-74LS174	Type-74LS174 Integrated Circuit (D5, D8)
37-74LS175	Type-74LS175 Integrated Circuit (L6)
37-74LS244	Type-74LS244 Integrated Circuit (B1, C1)
37-74LS245	Type-74LS245 Integrated Circuit (E2)
37-74LS257	Type-74LS257 Integrated Circuit (L2, K2, M3, M5, F8, H8)
37-74LS259	Type-74LS259 Integrated Circuit (P9)
37-74LS273	Type-74LS273 Integrated Circuit (F4, L7)
37-74LS373	Type-74LS373 Integrated Circuit (F2)
37-74S04	Type-74S04 Integrated Circuit (P3)
37-74S74	Type-74S74 Integrated Circuit (N8)
38-MV5053	Type-MV5053 Light-Emitting Diode (CR1)
41-3003	100 uH, ± 5%, Hot-Molded Plastic Fixed R.F. Choke (L1)
62-001	SPST Momentary Pushbutton Switch (A7)
66-114P1T	4-Station, Single-Throw, Dual-Inline-Package Bit Switch (L9)
66-118P1T	8-Station, Single-Throw, Dual-Inline-Package Bit Switch (J2, M2)
79-42C16	16-Contact Medium-Insertion-Force Integrated Circuit Socket (M6, N7)
79-42C24	24-Contact Medium-Insertion-Force Integrated Circuit Socket (K/L1, M1, D1, E/F1, H1, J/K1, F/H6, E6)

[Continued on next page]

## Figure 18 Warlords™ Game PCB Assembly, continued Parts List

<i>Part No.</i>	<i>Description (Reference Designations and Locations in Bold)</i>
79-42C40	40-Contact Medium-Insertion-Force Integrated Circuit Socket <b>(B3/4, C2)</b>
31-4302	Nylon Snap-In Fastener <b>(Q3-5)</b>
90-102	12.096 MHz, $\pm .005\%$ , Crystal <b>(Y1)</b>
90-6010	Microprocessor <b>(C2)</b>
90-7031	Random-Access Memory <b>(H3, J3, K3, L3, H5, J5, K5, L5)</b>
90-7033	Random-Access Memory <b>(N1, P1)</b>
90-7035	Random-Access Memory <b>(L8, K8)</b>
20670-01	Test Point
37153-01	Read-Only Memory <b>(K/L1)</b>
37154-01	Read-Only Memory <b>(M1)</b>
37155-01	Read-Only Memory <b>(D1)</b>
37156-01	Read-Only Memory <b>(E/F1)</b>
37157-01	Read-Only Memory <b>(H1)</b>
37158-01	Read-Only Memory <b>(J/K1)</b>
37159-01	Read-Only Memory—Graphics <b>(E6, F/H6)</b>
37161-01	Programmable Read-Only Memory <b>(M6)</b>
37235-01	Programmable Read-Only Memory <b>(N7)</b>
00015-103	.01 uf Ceramic-Disc 25V Radial-Lead Capacitor <b>(C64)</b>
10000-102	1K Ohm, $\pm 5\%$ , $\frac{1}{4}$ W Resistor <b>(R20-23, 26-32, 37, 38, 42, 62-69, 74-81, 84, 85, 88, 90, 91)</b>
10000-103	10K Ohm, $\pm 5\%$ , $\frac{1}{4}$ W Resistor <b>(R1-19, 24, 33, 44, 92, 93, 96)</b>
10000-104	100K Ohm, $\pm 5\%$ , $\frac{1}{4}$ W Resistor <b>(R50-53)</b>
10000-105	1M Ohm, $\pm 5\%$ , $\frac{1}{4}$ W Resistor <b>(R34)</b>
10000-122	1.2K Ohm, $\pm 5\%$ , $\frac{1}{4}$ W Resistor <b>(R72)</b>
10000-153	15K Ohm, $\pm 5\%$ , $\frac{1}{4}$ W Resistor <b>(R36)</b>
10000-182	1.8K Ohm, $\pm 5\%$ , $\frac{1}{4}$ W Resistor <b>(R71, 73)</b>
10000-183	18K Ohm, $\pm 5\%$ , $\frac{1}{4}$ W Resistor <b>(R87)</b>
10000-221	220 Ohm, $\pm 5\%$ , $\frac{1}{4}$ W Resistor <b>(R45-49, 94)</b>
10000-471	470 Ohm, $\pm 5\%$ , $\frac{1}{4}$ W Resistor <b>(R54-61, 82, 83)</b>
10000-472	4.7K Ohm, $\pm 5\%$ , $\frac{1}{4}$ W Resistor <b>(R25)</b>
10000-563	56K Ohm, $\pm 5\%$ , $\frac{1}{4}$ W Resistor <b>(R35)</b>
10000-681	680 Ohm, $\pm 5\%$ , $\frac{1}{4}$ W Resistor <b>(R95)</b>
21008-105	1 uf, $\pm 10\%$ , Polyester 50V Radial-Lead Capacitor <b>(C44)</b>
22002-102	.001 uf Ceramic-Disc 25V Radial-Lead Capacitor <b>(C36)</b>
22004-224	.22 uf Ceramic-Disc 25V Radial-Lead Capacitor <b>(C67)</b>
31000-001	3.9 V, $\pm 10\%$ , 0.4 W, Type-1N748 Zener Diode <b>(CR4)</b>



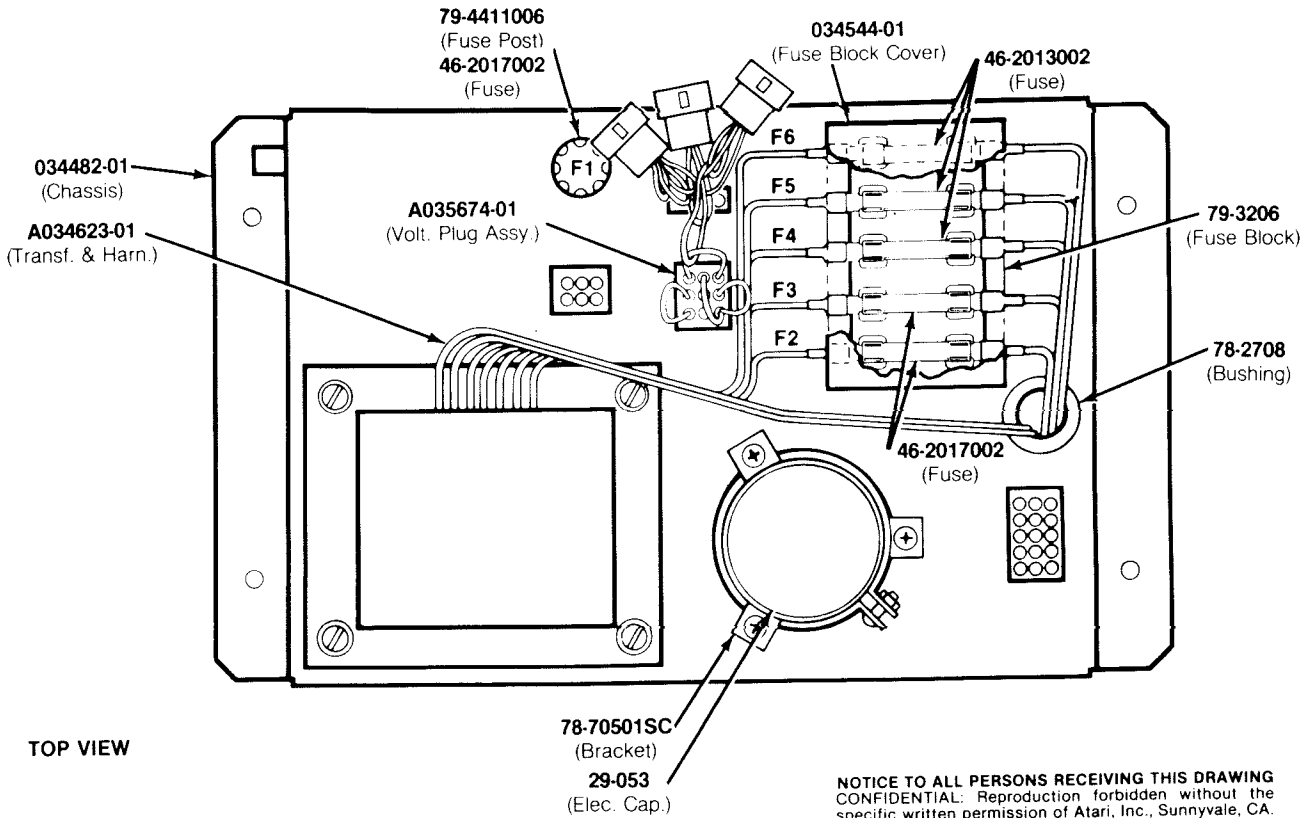
**NOTICE TO ALL PERSONS RECEIVING THIS DRAWING**  
 CONFIDENTIAL: Reproduction forbidden without the specific written permission of Atari, Inc., Sunnyvale, CA. This drawing is only conditionally issued, and neither receipt nor possession thereof confers or transfers any right in, or license to use, the subject matter of the drawing or any design or technical information shown thereon, nor any right to reproduce this drawing or any part thereof. Except for manufacture by vendors of Atari, Inc., and for manufacture under the corporation's written license, no right to reproduce this drawing is granted or the subject matter thereof unless by written agreement with or written permission from the corporation.

Be sure ground wire is attached to center mounting bolt before locking up the control panel.

**Figure 19 Control Panel Assembly**  
**A037211-01 A**

### Parts List

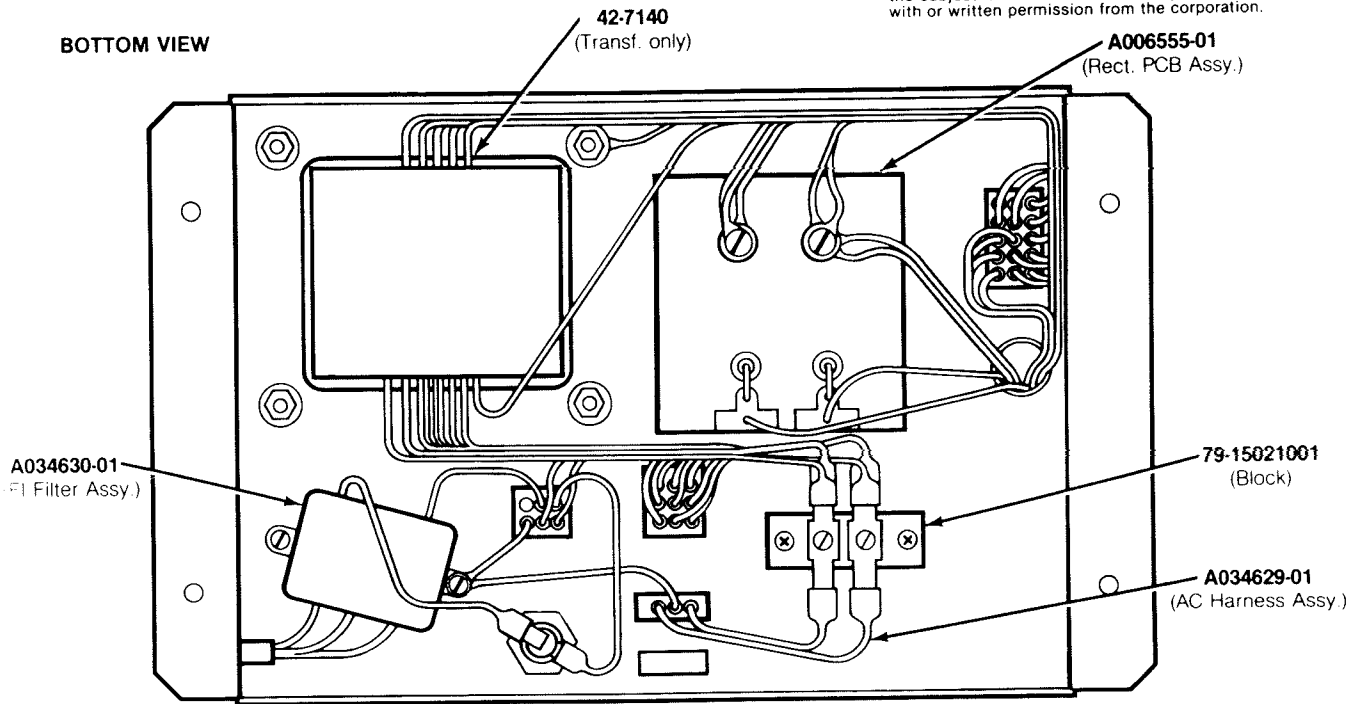
Part No.	Description
A037206-01	Control Panel with Graphics
A037234-01	Control Harness Assembly
19-9022	5K Ohm, $\pm 20\%$ , Linear Slip-Clutch Potentiometer
62-039	Momentary-Contact SPDT Light-Emitting-Diode Switch with Red Cap
73-834	Black Knob with Skirt
75-07054	Spacer for Light-Emitting-Diode Switch
75-9910W0	#15/32-32 Steel Stamped Nut
033127-01	Black Molded Switch Bushing



TOP VIEW

**NOTICE TO ALL PERSONS RECEIVING THIS DRAWING**  
 CONFIDENTIAL: Reproduction forbidden without the specific written permission of Atari, Inc., Sunnyvale, CA. This drawing is only conditionally issued, and neither receipt nor possession thereof confers or transfers any right in, or license to use, the subject matter of the drawing or any design or technical information shown thereon, nor any right to reproduce this drawing or any part thereof. Except for manufacture by vendors of Atari, Inc., and for manufacture under the corporation's written license, no right to reproduce this drawing is granted or the subject matter thereof unless by written agreement with or written permission from the corporation.

BOTTOM VIEW

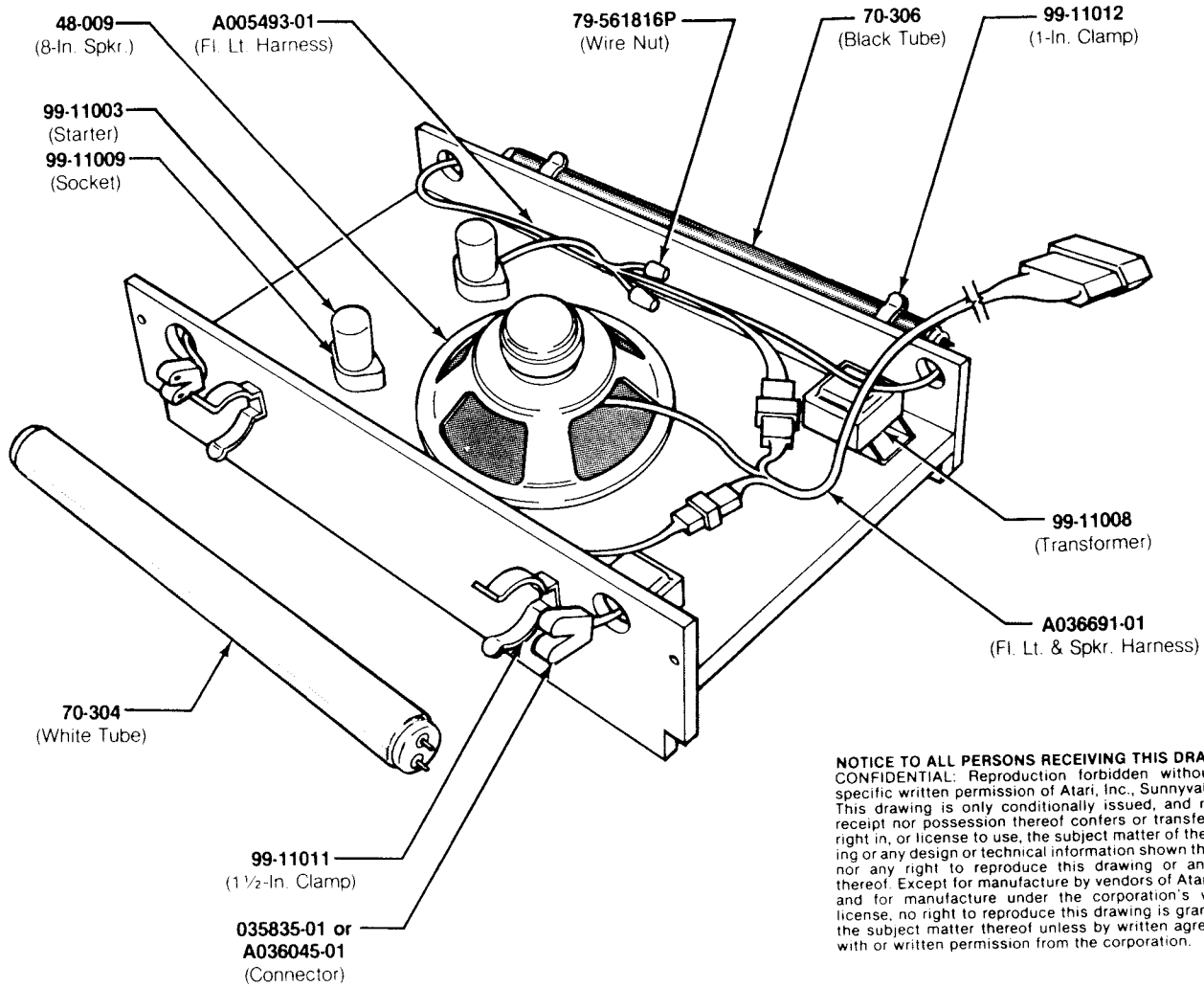


**Figure 20 Power Supply Assembly for Raster-Scan Games**  
**A034560-02 D**

## Figure 20 Power Supply Assembly for Raster-Scan Games Parts List

Part No.	Description (Reference Designations in Bold)
A006555-01	Rectifier Printed-Circuit Board Assembly
A034623-01	Transformer and Harness Assembly <b>(T1)</b>
A034629-01	AC Harness Assembly
A034630-01	RFI Filter Assembly <b>(FL1)</b>
A035674-01	Voltage Plug Assembly (set of four plugs)
29-053	26,000 uf 15V Electrolytic Capacitor <b>(C1)</b>
42-7140	Power Transformer Only <b>(T1)</b>
46-2013002	3-Amp. 250V 3AG Slow-Blow Glass Cartridge-Type Fuse <b>(F4, F5, F6)</b>
46-2017002	7-Amp. 250V 3AG Slow-Blow Glass Cartridge-Type Fuse <b>(F1, F2, F3)</b>
78-2708	Nylon Type 6/6 Hole Bushing with 5/8-Inch Inside Diameter × 55/64-Inch Outside Diameter × 1/4-Inch Thick
78-70501SC	2-Inch-Diameter Capacitor Mounting Bracket
79-15021001	2-Circuit Single-Row Terminal Block
79-3206	5-Position 3AG Fuse Block with 1/4-Inch Quick-Disconnect Terminals
79-4411006	Panel-Mounting Non-Indicating 3AG Cartridge-Type Fuse Post
034544-01	Fuse Block Cover





**NOTICE TO ALL PERSONS RECEIVING THIS DRAWING**  
**CONFIDENTIAL:** Reproduction forbidden without the specific written permission of Atari, Inc., Sunnyvale, CA. This drawing is only conditionally issued, and neither receipt nor possession thereof confers or transfers any right in, or license to use, the subject matter of the drawing or any design or technical information shown thereon, nor any right to reproduce this drawing or any part thereof. Except for manufacture by vendors of Atari, Inc., and for manufacture under the corporation's written license, no right to reproduce this drawing is granted or the subject matter thereof unless by written agreement with or written permission from the corporation.

**Figure 21 Fluorescent Light and Speaker Assembly**  
**A036610-01 B**

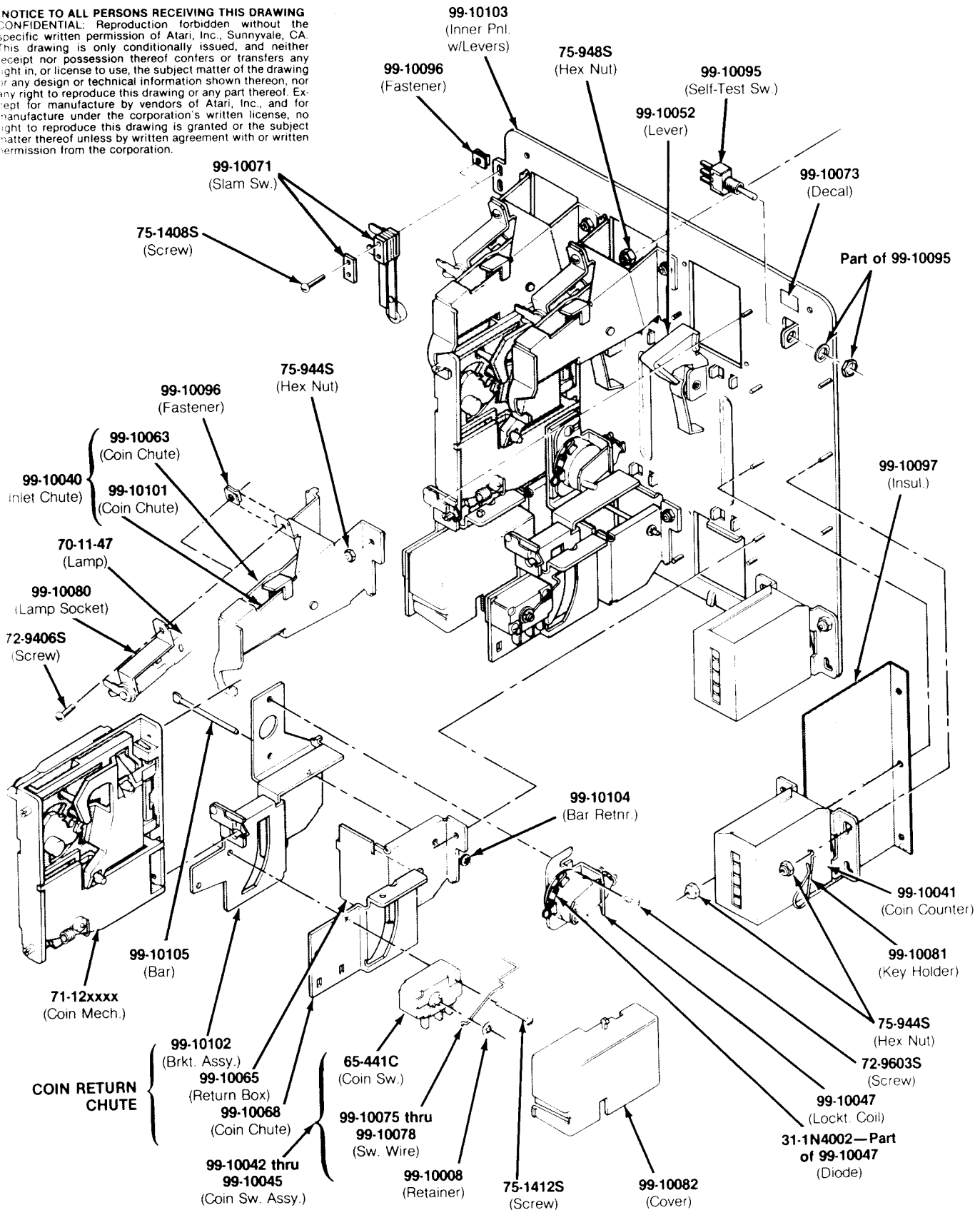
## Figure 21 Fluorescent Light and Speaker Assembly, continued Parts List

---

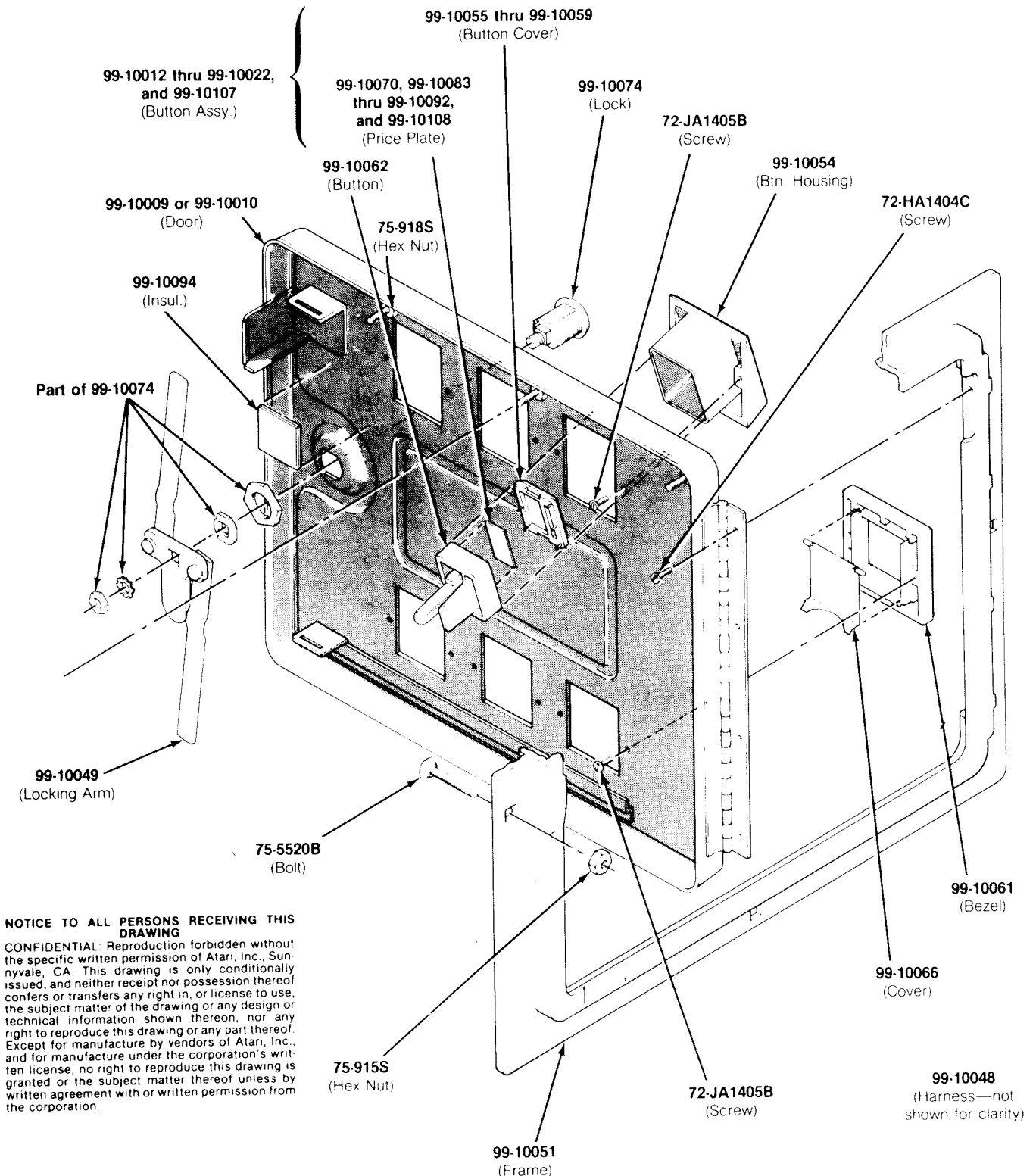
<i>Part No.</i>	<i>Description</i>
A005493-01	Fluorescent Light Harness
A036691-01	Fluorescent Light and Speaker Harness
48-009	8-Inch High-Fidelity Speaker
70-304	18-Inch 15-Watt Cool White Fluorescent Tube
70-306	18-Inch 15-Watt Blacklight Fluorescent Tube
79-561816P	Spring Connector Wire Nut for 16- to 18-Gauge Wires
99-11003	Fluorescent Lamp Starter
99-11008	Ballast Transformer
99-11009	Starter Socket
99-11011	1½-Inch Clamp <i>(for white tube)</i>
99-11012	1-Inch Clamp <i>(for blacklight tube)</i>
035835-01	Y-Lead Connector <i>(part no. A036045-01 is an acceptable substitute)</i>

---

**NOTICE TO ALL PERSONS RECEIVING THIS DRAWING**  
 CONFIDENTIAL: Reproduction forbidden without the specific written permission of Atari, Inc., Sunnyvale, CA. This drawing is only conditionally issued, and neither receipt nor possession thereof confers or transfers any right in, or license to use, the subject matter of the drawing or any design or technical information shown thereon, nor any right to reproduce this drawing or any part thereof. Except for manufacture by vendors of Atari, Inc., and for manufacture under the corporation's written license, no right to reproduce this drawing is granted or the subject matter thereof unless by written agreement with or written permission from the corporation.



**Figure 22 American-Made Coin Door  
 71-10xxxx D**



**NOTICE TO ALL PERSONS RECEIVING THIS DRAWING**

CONFIDENTIAL: Reproduction forbidden without the specific written permission of Atari, Inc., Sunnyvale, CA. This drawing is only conditionally issued, and neither receipt nor possession thereof confers or transfers any right in, or license to use, the subject matter of the drawing or any design or technical information shown thereon, nor any right to reproduce this drawing or any part thereof. Except for manufacture under the corporation's written license, no right to reproduce this drawing is granted or the subject matter thereof unless by written agreement with or written permission from the corporation.

- 71-102201 — U.S. 25¢/25¢ Coin Door
- 71-103202 — U.S. 25¢/25¢/25¢ Coin Door
- 71-103203 — U.S. 25¢/25¢/\$1 Coin Door
- 71-102204 — German 2 DM/1 DM Coin Door
- 71-103205 — German 1/2/5 DM Coin Door

- 71-102206 — German 1 DM/5 DM Coin Door
- 71-102207 — Belgian 5 Fr/5 Fr Coin Door
- 71-102208 — Swiss 1 Fr/1 Fr Coin Door
- 71-102209 — Japanese 100Y/100Y Coin Door
- 71-102210 — British 10 P/10 P Coin Door

- 71-102211 — Australian 20¢/20¢ Coin Door
- 71-102212 — Italian 100 L/100 L Coin Door
- 71-102213 — U.S. 50¢/50¢ (2 x 25¢) Coin Door
- 71-103214 — U.S. 50¢/50¢/50¢ Coin Door
- 71-103215 — U.S. 50¢/50¢/\$1 Coin Door

**Figure 22 American-Made Coin Door**  
71-10xxxx D

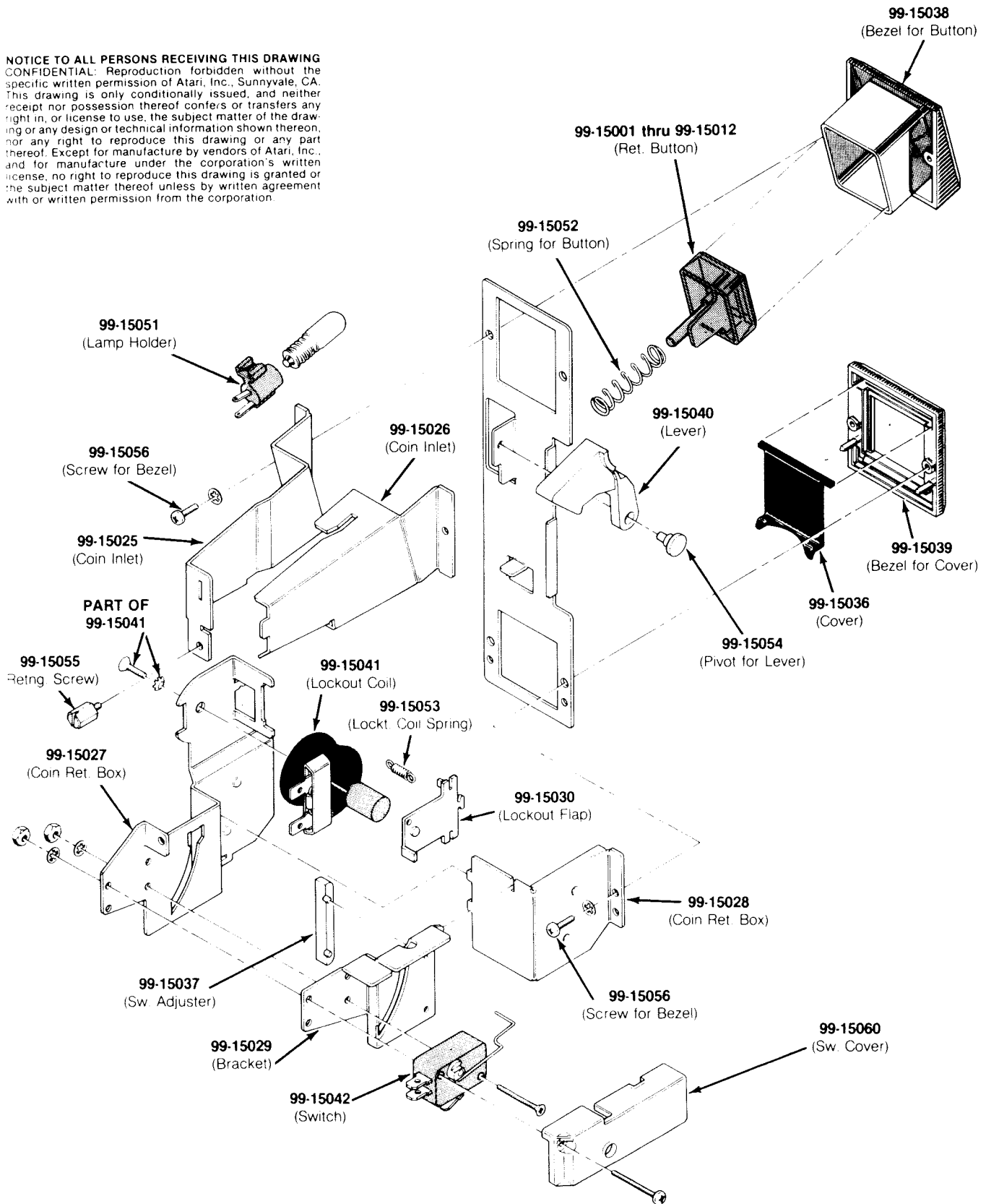
## Figure 22 American-Made Coin Door, continued Parts List

Part No.	Description
31-1N4002	100V Silicon Rectifier 1N4002 Diode
65-441C	General-Usage Low-Force Miniature Switch
70-11-47	Miniature Bayonet-Base Incandescent Lamp, Type #47
71-1201ADU	U.S. \$1.00 Coin Mechanism
71-1201FCH	Swiss 1 Fr Coin Mechanism
71-1201MG	German 1 DM Coin Mechanism
71-1202MG	German 2 DM Coin Mechanism
71-1205FB	Belgian 5 Fr Coin Mechanism
71-1205MG	German 5 DM Coin Mechanism
71-1210PE	U.K. 10 P Coin Mechanism
71-1220CA	Australian 20¢ Coin Mechanism
71-1225CU	U.S. 25¢ Coin Mechanism
71-12100LI	Italian 100 Lire Coin Mechanism
71-12100YJ	Japanese Y100 Coin Mechanism
72-HA1404C	#4 × ¼-Inch Slotted Pan-Head Thread-Rolling Tri-Fluted "Taptite" Cadmium-Plated Screw
72-JA1405B	#4 × 5/16-Inch Slotted Pan-Head Thread-Rolling Tri-Fluted "Plastite" Black Screw
72-9406S	#4-40 × 3/8-Inch Slotted Truss-Head Steel Machine Screw
72-9603S	#6-32 × 3/16-Inch Slotted Truss-Head Steel Machine Screw
75-915S	#¼-20 Standard-Pattern Cadmium-Plated Steel Hex Nut
75-918S	#8-32 Standard-Pattern Cadmium-Plated Steel Hex Nut
75-944S	#4-40 Polymer Self-Locking Steel Hex Nut
75-948S	#8-32 Polymer Self-Locking Steel Hex Nut
75-1408S	#4-40 × ½-Inch Slotted Pan-Head Steel Machine Screw
75-1412S	#4-40 × ¾-Inch Slotted Pan-Head Steel Machine Screw
75-5520B	#¼-20 × 1¼-Inch Round-Head Square-Neck Steel Bolt with Black Finish
99-10008	Switch Wire Retainer
99-10009	2-Mech Coin Door Only
99-10010	3-Mech Coin Door Only
99-10012	U.S. 25¢ Coin Return Button Assembly
99-10013	U.S. \$1.00 Coin Return Button Assembly
99-10014	German 1 DM Coin Return Button Assembly
99-10015	German 2 DM Coin Return Button Assembly
99-10016	German 5 DM Coin Return Button Assembly
99-10017	Belgian 5 Fr Coin Return Button Assembly
99-10018	Swiss 1 Fr Coin Return Button Assembly
99-10019	Japanese Y100 Coin Return Button Assembly
99-10020	U.K. 10 P Coin Return Button Assembly
99-10021	Australian 20¢ Coin Return Button Assembly
99-10022	Italian 100 Lire Coin Return Button Assembly
99-10040	Coin Inlet Chute Assembly
99-10041	Coin Counter Assembly
99-10042	Coin Switch Assembly for U.S. 25¢ and Belgian 5 Fr Coins ( <i>silver wire</i> )
99-10043	Coin Switch Assembly for German 1 DM, Swiss 1 Fr, and Japanese Y100 Coins ( <i>black wire</i> )
99-10044	Coin Switch Assembly for U.S. \$1.00, German 2 DM, and Italian 100 Lire Coins ( <i>gold wire</i> )
99-10045	Coin Switch Assembly for German 5 DM, U.K. 10 P, and Australian 20¢ Coins ( <i>green wire</i> )

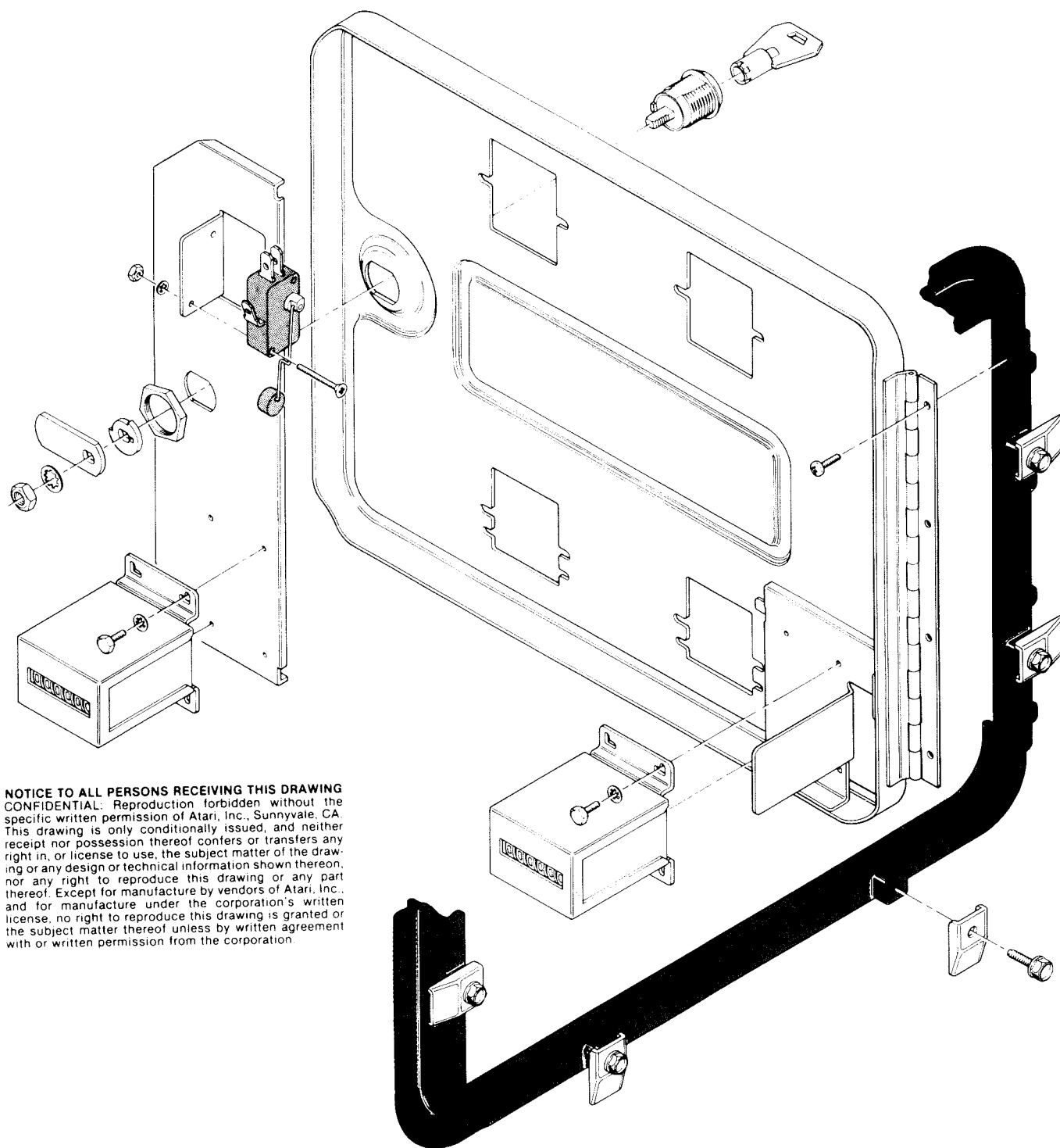
## Figure 22 American-Made Coin Door, continued Parts List

Part No.	Description
99-10047	Lockout Coil Assembly
99-10048	Coin Door Harness Assembly
99-10049	Locking Arm Assembly
99-10051	Coin Door Frame
99-10052	Coin Return Lever
99-10054	Coin Button Housing
99-10055	Coin Return Button Cover for Japanese 100Y Coin
99-10056	Coin Return Button Cover for German 1 DM and Swiss 1 Fr Coins
99-10057	Coin Return Button Cover for U.S. 25¢ and Belgian 5 Fr Coins
99-10058	Coin Return Button Cover for U.S. \$1.00, German 2 DM, and Italian 100 Lire Coins
99-10059	Coin Return Button Cover for German 5 DM, U.K. 10 P, and Australian 20¢ Coins
99-10061	Coin Return Bezel
99-10062	Coin Return Button
99-10063	Right Half of Coin Inlet Chute
99-10065	Coin Return Box
99-10066	Coin Return Cover
99-10068	Coin Chute
99-10070	U.S. 25¢ Price Plate
99-10071	Slam Switch Assembly
99-10073	Test Switch Decal
99-10074	Lock Assembly
99-10075	Black Switch Wire for German 1 DM, Swiss 1 Fr and Japanese 100Y Coins
99-10076	Silver Switch Wire for U.S. 25¢ and Belgian 5 Fr Coins
99-10077	Gold Switch Wire for U.S. \$1.00, German 2 DM and Italian 100 Lire Coins
99-10078	Green Switch Wire for German 5 DM, U.K. 10 P and Australian 20¢ Coins
99-10080	Miniature Bayonet-Base Lamp Socket
99-10081	Wire Key Holder
99-10082	Switch Cover
99-10083	U.S. \$1.00 Price Plate
99-10084	German 1 DM Price Plate
99-10085	German 2 DM Price Plate
99-10086	German 5 DM Price Plate
99-10087	Belgian 5 Fr Price Plate
99-10088	Swiss 1 Fr Price Plate
99-10089	Japanese Y100 Price Plate
99-10090	U.K. 10 P Price Plate
99-10091	Australian 20¢ Price Plate
99-10092	Italian 100 Lire Price Plate
99-10094	Fish Paper Insulation
99-10095	Toggle Switch
99-10096	"U"-Type Fastener
99-10097	Fish Paper Insulation
99-10101	Left Half of Coin Inlet Chute
99-10102	Switch and Lockout Coil Bracket Sub-Assembly
99-10103	Inner Panel with Levers Sub-Assembly
99-10104	Anti-Penny-Flip Bar Retainer
99-10105	Anti-Penny-Flip Bar
99-10107	U.S. 50¢ Coin Return Button Assembly <i>(for two quarters)</i>
99-10108	U.S. 50¢ Price Plate <i>(for two quarters)</i>

**NOTICE TO ALL PERSONS RECEIVING THIS DRAWING**  
**CONFIDENTIAL:** Reproduction forbidden without the specific written permission of Atari, Inc., Sunnyvale, CA. This drawing is only conditionally issued, and neither receipt nor possession thereof confers or transfers any right in, or license to use, the subject matter of the drawing or any design or technical information shown thereon, nor any right to reproduce this drawing or any part thereof. Except for manufacture by vendors of Atari, Inc., and for manufacture under the corporation's written license, no right to reproduce this drawing is granted or the subject matter thereof unless by written agreement with or written permission from the corporation.



**Figure 23 British-Made Coin Door**  
**171000-xxx A**



**NOTICE TO ALL PERSONS RECEIVING THIS DRAWING**  
**CONFIDENTIAL:** Reproduction forbidden without the specific written permission of Atari, Inc., Sunnyvale, CA. This drawing is only conditionally issued, and neither receipt nor possession thereof confers or transfers any right in, or license to use, the subject matter of the drawing or any design or technical information shown thereon, nor any right to reproduce this drawing or any part thereof. Except for manufacture by vendors of Atari, Inc., and for manufacture under the corporation's written license, no right to reproduce this drawing is granted or the subject matter thereof unless by written agreement with or written permission from the corporation.

171001-001 — British 10 P/10 P Coin Door  
 171000-002 — British 10 P/50 P Coin Door  
 171000-003 — British 20 P/50 P Coin Door  
 171000-004 — German 1 DM/1 DM Coin Door  
 171000-005 — German 2 DM/1 DM Coin Door

171000-006 — German 2 DM/5 DM Coin Door  
 171000-007 — Belgian 5 Fr/5 Fr Coin Door  
 171000-008 — French 1 Fr/1 Fr Coin Door  
 171000-009 — French 2 Fr/1 Fr Coin Door  
 171000-010 — Swedish 1 Kr/1 Kr Coin Door

171000-011 — Hong Kong \$1/\$1 Coin Door  
 171000-012 — Canadian 25¢/25¢ Coin Door  
 171000-013 — U.S. 25¢/25¢ Coin Door  
 171000-014 — Spanish 25 Pts/25 Pts Coin Door  
 171000-015 — Swiss 1 Fr/1 Fr Coin Door

**Figure 23 British-Made Coin Door**  
 171000-xxx A



## Figure 23 British-Made Coin Door, continued Parts List

<i>Part No.</i>	<i>Description</i>
99-15001	Coin Return Button with U.S. 25¢ Price Plate
99-15002	Coin Return Button with U.S. \$1 Price Plate
99-15003	Coin Return Button with German 1 DM Price Plate
99-15004	Coin Return Button with German 2 DM Price Plate
99-15005	Coin Return Button with German 5 DM Price Plate
99-15006	Coin Return Button with Belgian 5 Fr Price Plate
99-15007	Coin Return Button with French 1 Fr Price Plate
99-15008	Coin Return Button with Japanese 100 Yen Price Plate
99-15009	Coin Return Button with British 10 Pence Price Plate
99-15010	Coin Return Button with Australian 20¢ Price Plate
99-15011	Coin Return Button with Italian 100 Lire Price Plate
99-15012	Coin Return Button with U.S. 50¢ (2 × 25¢) Price Plate
99-15025	Left Half of Coin Inlet
99-15026	Right Half of Coin Inlet
99-15027	Side Plate of Coin Return Box
99-15028	Base Plate of Coin Return Box
99-15029	Switch Bracket
99-15030	Flap for Lockout Coil (U.S. 25¢)
99-15036	Coin Return Cover
99-15037	Switch Adjuster
99-15038	Bezel for Coin Return Button
99-15039	Bezel for Coin Return Cover
99-15040	Coin Return Lever
99-15041	Lockout Coil
99-15042	Coin Switch for U.S. 25¢
99-15051	Lamp Holder
99-15052	Spring for Coin Return Button
99-15053	Spring for Lockout Coil
99-15054	Pivot for Coin Return Lever
99-15055	Retaining Screw
99-15056	Screw for Both Bezels
99-15060	Switch Cover

# YOUR COMMENTS, PLEASE!

Warlords™  
1st printing

Your comments will assist Atari in improving the usefulness of our publications. They are an important part of preparing for revisions of manuals and parts catalogs. No postage stamp is necessary if mailed in the U.S.A.

If you have any technical questions about certain Atari or Kee Games products, or are requesting additional publications, we will immediately forward your note to the appropriate person.

Page:                      Comments:

Fill in if you wish a reply:

Name \_\_\_\_\_

Firm \_\_\_\_\_

Address \_\_\_\_\_

City \_\_\_\_\_ State \_\_\_\_\_ Zip \_\_\_\_\_

Area Code \_\_\_\_\_ Phone \_\_\_\_\_

Distributor

Operator

Other \_\_\_\_\_

First fold



No Postage  
Necessary  
if mailed in  
the United States

Cut along this line

# BUSINESS REPLY MAIL

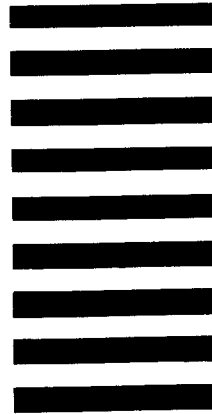
FIRST CLASS

PERMIT NO. 1004

SUNNYVALE, CA

POSTAGE WILL BE PAID BY ADDRESSEE

**Atari, Inc.**  
**Attn.: Field Service/Coin-Op Division**  
**P. O. Box 427**  
**Sunnyvale, California 94086**



Second fold

Four horizontal lines for return address

From

Tape this edge

# Warranty

Seller warrants that its printed circuit boards and parts thereon are free from defects in material and workmanship under normal use and service for a period of ninety (90) days from date of shipment. Seller warrants that its television monitors (in games supplied with monitors) are free from defects in material and workmanship under normal use and service for a period of thirty (30) days from date of shipment. None of the Seller's other products or parts thereof are warranted.

If the products described in this manual fail to conform to this warranty, Sellers' sole liability shall be, at its option, to repair, replace, or credit Buyer's account for such products which are returned to Seller during said warranty period, provided:

- (a) Seller is promptly notified in writing upon discovery by Buyer that said products are defective;
- (b) Such products are returned prepaid to Sellers' plant; and
- (c) Seller's examination of said products discloses to Seller's satisfaction that such alleged defects existed and were not caused by accident, misuse, neglect, alteration, improper repair, installation or improper testing.

In no event shall Seller be liable for loss of profits, loss of use, incidental or consequential damages.

***Except for any express warranty set forth in a written contract between Seller and Buyer which contract supersedes the terms of this order, this warranty is expressed in lieu of all other warranties expressed or implied, including the implied warranties of merchantability and fitness for a particular purpose, and of all other obligations or liabilities on the Seller's part, and it neither assumes nor authorizes any other person to assume for the Seller any other liabilities in connection with the sale of products under this order.***

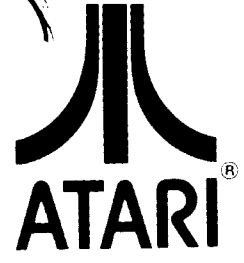
The use of any non-Atari parts may void your warranty, according to the terms of the warranty. The use of any non-Atari parts may also adversely affect the safety of your game and cause injury to yourself and others. Be very cautious in using non-Atari-supplied components with our games, in order to insure your safety.

Atari distributors are independent, being privately owned and operated. In their judgment they may sell parts or accessories other than Atari parts or accessories. Atari cannot be responsible for the quality, suitability or safety of any non-Atari part or any modification including labor which is performed by such distributor.

*This document is and contains confidential trade secret information of Atari, Inc.*

*This document is loaned under confidential custody for the sole purpose of operation, maintenance or repair of Atari equipment and may not be used by or disclosed to any person for any other purpose whatever, and remains the property of Atari, Inc.*

*Neither it nor the information it contains may be reproduced, used, or disclosed to persons not having a need to know consistent with the purpose of the loan, without written consent of Atari, Inc.*



ATARI INC  
1265 BORREGAS AVENUE  
P.O. BOX 427  
SUNNYVALE, CALIFORNIA 94086  
408/745-2000 • TELEX 35-7488

 A Warner Communications Company