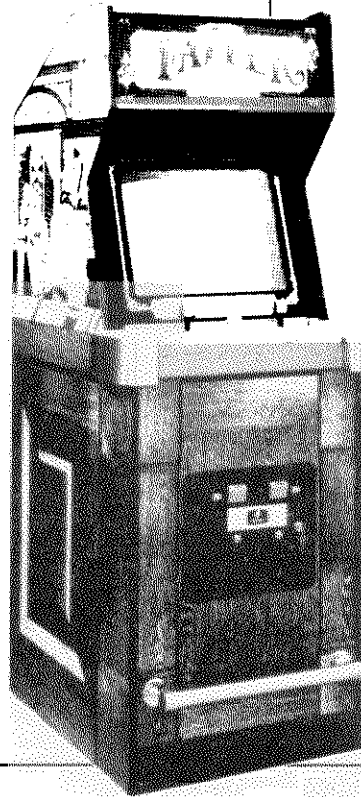


*Bally* MIDWAY

# TAPPER



## Parts and Operating Manual



*Bally*

MIDWAY MFG. CO.

10601 W. Belmont Avenue  
Franklin Park, Illinois 60131  
U.S.A.



Phone: (312) 451-9200    Cable Address: MIDCO    Telex No.: 72-1596

**WARNING**

**THIS GAME MUST BE GROUNDED. FAILURE TO DO SO MAY RESULT IN DESTRUCTION TO ELECTRONIC COMPONENTS.**

**WARNING:** This equipment generates, uses, and can radiate radio frequency energy and if not used in accordance with the instructions manual, may cause interference to radio communications. It has been tested and found to comply with the limits for a CLASS A computing device pursuant to SUBPART J of PART 15 of FCC RULES, which are designed to provide reasonable protection against such interference when operated in a commercial environment. Operation of this equipment in a residential area is likely to cause interference in which case the user at his own expense will be required to take whatever measures may be required to correct the interference.

**ELECTRICAL BULLETIN:** FOR ALL APPARATUS COVERED BY THE CANADIAN STANDARDS ASSOCIATION (CSA) STANDARD C22.2 NO. 1, WHICH EMPLOYS A SUPPLY CORD TERMINATED WITH A POLARIZED 2-PRONG ATTACHMENT PLUG.

**CAUTION:** TO PREVENT ELECTRIC SHOCK DO NOT USE THIS (POLARIZED) PLUG WITH AN EXTENSION CORD, RECEPTACLE OR OTHER OUTLET UNLESS THE BLADES CAN BE FULLY INSERTED TO PREVENT BLADE EXPOSURE.

**ATTENTION:** POUR PREVENIR CHOCS ELECTRIQUES NE PAS UTILISER CETTE FICHE POLARISEE AVEC UN PROLONGATEUR, UNE PRISE DE COURANT OU UNE AUTRE SORTIE DE COURANT, SAUF SI LES LAMES PEUVENT ETRE INSEREES A FOND SANS EN LAISSER AUCUNE PARTIE A DECOUVERT.

**Bally MIDWAY**

*Invites You To Use*

**OUR TOLL FREE NUMBERS FOR  
SERVICE INFORMATION CONCERNING THIS GAME, OR ANY  
OTHER BALLY MIDWAY GAME YOU NOW HAVE ON LOCATION.**

**CALL US FOR PROMPT, COURTEOUS  
ANSWERS TO YOUR PROBLEMS.**

**VIDEO → Continental U.S. 1-800-323-7182**

**PINBALL → Continental U.S. 1-800-323-3555**

**Bally MIDWAY**

10601 West Belmont Avenue, Franklin Park, Illinois, 60131 phone (312)451-9200

© COPYRIGHT MCMLXXXIV BY BALLY MIDWAY MFG. CO.

ALL RIGHTS RESERVED

NO PART OF THIS PUBLICATION MAY BE REPRODUCED BY ANY MECHANICAL, PHOTOGRAPHIC, OR ELECTRONIC PROCESS, OR IN THE FORM OF A PHONOGRAPHIC RECORDING, NOR MAY IT BE TRANSMITTED, OR OTHERWISE COPIED FOR PUBLIC OR PRIVATE USE, WITHOUT PERMISSION FROM THE PUBLISHER. THIS MANUAL IS FOR SERVICE USE ONLY, AND NOT FOR GENERAL DISTRIBUTION. FOR PERMISSION REQUESTS, WRITE: BALLY MIDWAY MFG. CO., 10601 W. BELMONT AVE., FRANKLIN PARK, IL 60131

Printed in U.S.A.

# TAPPER

## GAME OPERATION

### ATTRACT MODE

1. The Attract mode starts:
  - Just after power has been turned on to the game. (Self-Test switch is in the "OFF" position.)
  - After a Self-Test has been completed and there are no more credits left in the games memory.
  - After a play has been finished, the score was not high enough to put the game into the High Score/Initial mode, and there are no more credits left in the games memory.
  - After the High Score/Initial mode when there are no more credits left in its memory.
  - No matter where the game is in the Attract mode sequence, it will immediately go to the Ready-To-Play mode display as soon as a game has been paid for.

### READY-TO-PLAY MODE

1. The Ready-To-Play mode starts when enough coins have been accepted for a 1 player game. Additional coins may be deposited for a 2 player game.
2. The Ready-To-Play mode ends when the "START" button is pressed.

### PLAY MODE

1. The Play mode begins when the "START" button is pressed.
2. The Play mode ends when all of your BAR TENDERS have been eliminated. When this happens, "GAME OVER" is written across the monitor screen.

### HIGH SCORE/INITIAL MODE:

If your score was high enough to become one of the ten best scores, the game will go into the High Score/Initial mode immediately after the "GAME OVER" display. If your score is not high enough to cause the game to go into the High Score/Initial mode, it will either go to the Attract mode (if there are no more credits left in its memory) or into the Ready-To-Play mode (if there are still credits left in its memory).

Follow the ON-SCREEN instructions to enter your initials next to your score in the league of the best ten players to date.

After the High Score/Initial mode, the game will either go to the Attract mode (if there are no more credits left in its memory) or into the Ready-To-Play mode (if there are still credits left in its memory).

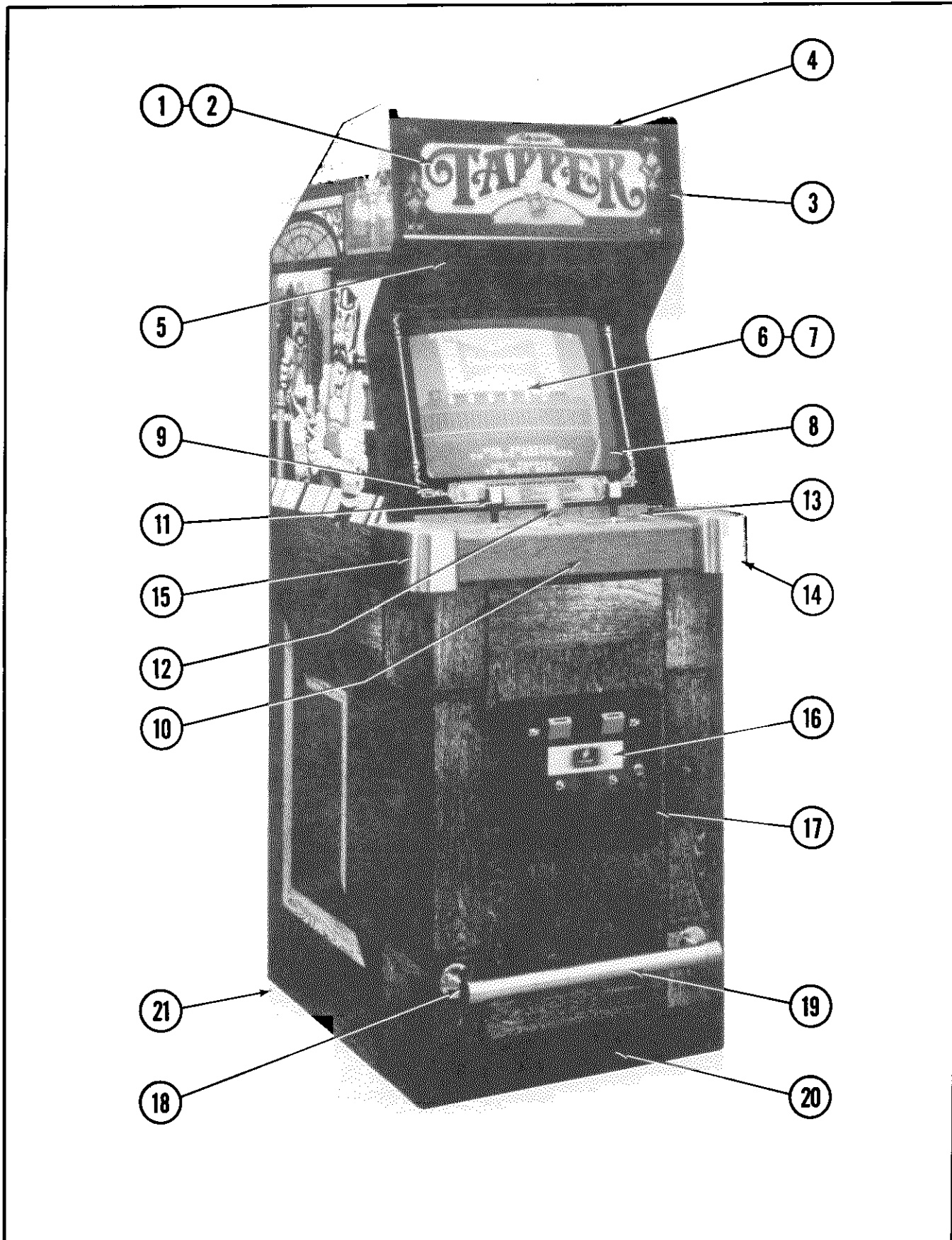
**T A P P E R  
S C O R I N G**

DESCRIPTION	POINTS AWARDED	NOTES
PICK UP TIP  GET DRINKERS OUT OF DOOR     CATCH AN EMPTY MUG  COMPLETING A RACK  COMPLETING BONUS RACK	1500 POINTS	
	50 POINTS	
	75 POINTS	
	100 POINTS	
	150 POINTS	
	100 POINTS	
1000 POINTS		
3000 POINTS		

TAPPER										
OPTION SWITCH SETTINGS										
//////////////////////////////////// SWITCH NO. 1 - AT B 3 - LOCATED ON SOUND I/O P.C. BOARD //////////////////////////////////////										
DURING GAME PLAY:	SW#1	SW#2	SW#3	SW#4	SW#5	SW#6	SW#7	SW#8	SW#9	SW#10
	NOT USED	NOT USED		NOT USED	NOT USED	NOT USED		NOT USED	NOT USED	
ATTRACT MODE SOUNDS ON **ATTRACT MODE SOUNDS OFF			ON OFF							
COCKTAIL MODEL GAME **UPRIGHT MODEL GAME							ON OFF			
FREEZE VIDEO **NORMAL OPERATION										ON OFF
//////////////////////////////////// SWITCH NO. 3 - AT D 14 - LOCATED ON SOUND I/O P.C. BOARD //////////////////////////////////////										
**NORMAL OPERATION SOUND I/O DIAGNOSTIC MODE	SW#1 OFF ON	*SW#2	*SW#3	*SW#4						
**NORMAL OPERATION RAM/ROM TEST INDICATES TEST RESULTS VIA YELLOW L E D ON SOUND I/O BOARD: FAST FLASH = BAD ROM SLOW FLASH = BAD RAM		OFF ON								
**NORMAL OPERATION OSCILLATOR TEST			OFF ON							
**NORMAL OPERATION FILTER TEST				OFF ON						
*NO EFFECT IF SW#1 OF SWITCH NO. 3 IS IN THE "OFF" POSITION. **FACTORY RECOMMENDED SETTINGS.									PART NO. M051-00A11-A007	

THE REMAINDER OF YOUR NEW GAME'S MOST COMMON OPTION SETTINGS ARE CONDUCTED DURING THE MACHINE SETUP PORTION OF THE SELF-TEST MODE.

NO. 0A11 - TAPPER UPRIGHT - FRONT

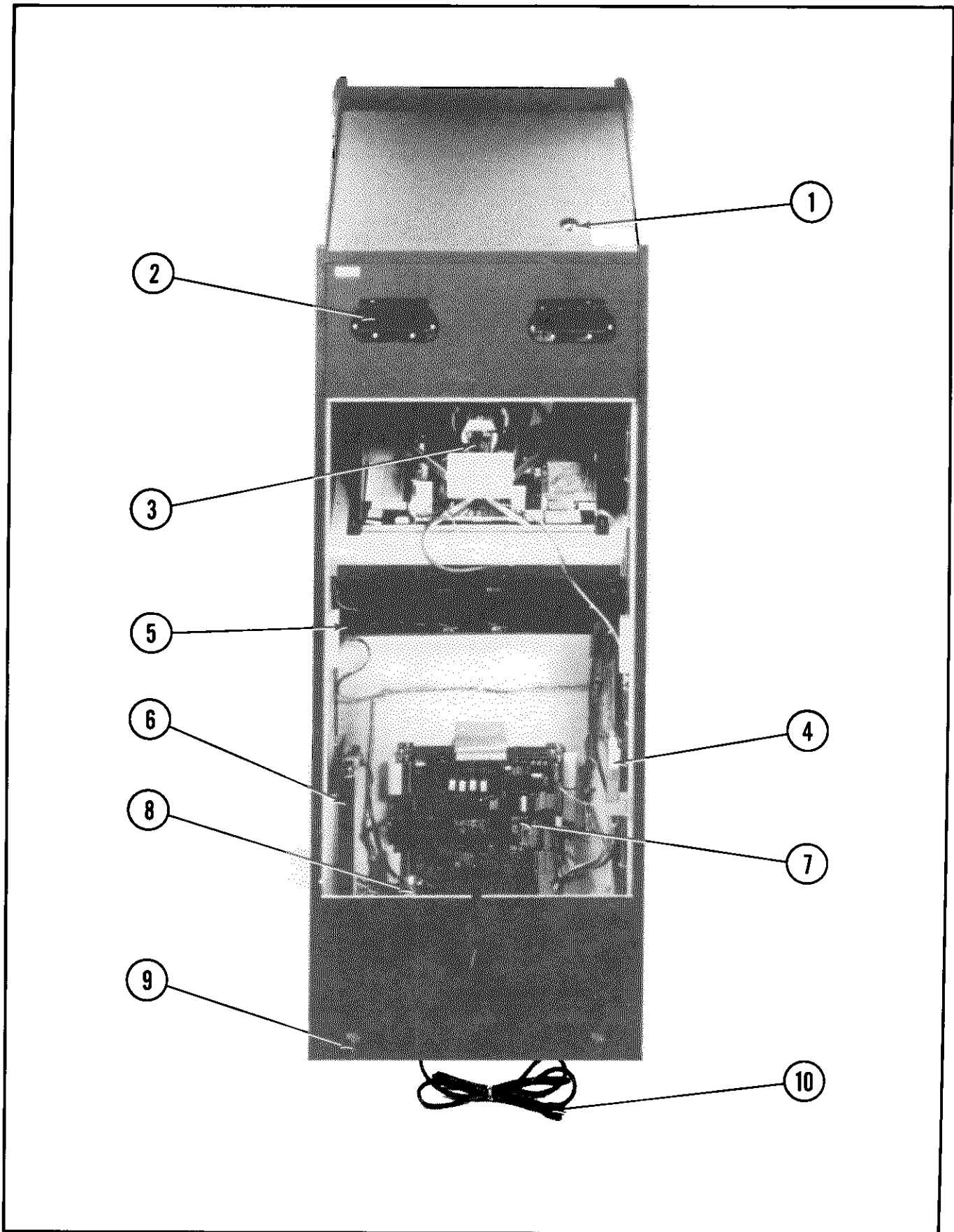


NO. 0A11 - TAPPER UPRIGHT - FRONT PARTS LIST

ORDER BY PART NUMBER ONLY

ITEM	PART NO.	DESCRIPTION	
1	0A11-00900-00XF	HEADER GLASS	
2	A595-00011-0000	FLUORESCENT HEADER LIGHT ASSY.	
3	0537-00903-0055	GLASS CHANNEL - 7-7/8" LG. (2 REQ'D)	
4	0574-00903-0100	HEADER RETAINING BRKT. (2 REQ'D)	
5	0017-00101-0138	#8x5/8 TORX PAN HD. TAMPER PROOF SCR. (10 REQ'D)	
	0017-00009-0393	BLACK SPEAKER GRILLE W/SLOTS (2 REQ'D)	
	0017-00003-0430	6"x9" SPEAKER - 4 OHM, 10W. (2 REQ'D)	
	0017-00003-0461	6"x9" SPEAKER - 4 OHM, 15W. (2 REQ'D)	
	0017-00101-0127	#8-32x1-1/2 CARRIAGE BOLT (8 REQ'D)	
6	0017-00103-0061	#8-32 HEX NUT W/SEMS (8 REQ'D)	
	A311-00002-0000	19" HORIZ. MONITOR ASSY.	
7	0333-00902-0000	PLEXI-DIFFUSER	
	0508-00901-0000	PLEXI-GLASS MTG. CLIPS (4 REQ'D)	
	0017-00101-0141	#8x11/16 UNSLOT. HEX HD. SCREW (4 REQ'D)	
8	0017-00042-0314	19" BEZEL - INJECTION MOLDED	
9	0A11-00901-00XF	MAIN VIEWING GLASS	
	0A11-00902-0100	GLASS HOLDER - RIGHT	
	0A11-00902-0200	GLASS HOLDER - LEFT	
10	AA11-00016-0000	CONTROL SHELF PLATE ASSY.	
	0A11-00904-0000	DECORATIVE OVERLAY	
	0A11-00100-01XF	CONTROL SHELF MTG. BRKT. - RIGHT	
	0A11-00100-02XF	CONTROL SHELF MTG. BRKT. - LEFT	
	0555-00901-0000	PLASTIC LOCATING PIN (4 REQ'D)	
	0017-00009-0534	BASSICK CLAMP (2 REQ'D)	
	0017-00101-0141	#8x11/16 UNSLOT. HEX HD. SCREW (8 REQ'D)	
	AA11-00015-0000	HANDLE CONTROL ASSY. (2 REQ'D)	
11	AA11-00015-0000	HANDLE CONTROL ASSY. (2 REQ'D)	
12	A982-00017-0000	CONTROL ASSY.	
13	0017-00032-0106	SMALL RED PUSH BUTTON SWITCH (2 REQ'D)	
14	0A11-00902-0100	GLASS HOLDER - RIGHT	
15	0A11-00902-0200	GLASS HOLDER - LEFT	
16	A982-00014-0000	DOUBLE COIN DOOR & CABLE ASSY.	
17	0090-00002-04BK	LARGE COIN DOOR FRAME	
	0017-00101-0121	#6-32x5/16 PHIL. TRS. HD. SCR. (3 REQ'D) (MOUNTS COIN DOOR TO FRAME)	
	A950-00004-0000	COIN BOX ASSEMBLY	
	A950-00006-0100	WIRE COIN BOX CRADLE ASSY.	
	0950-00105-0000	COIN BOX COVER	
	0950-00104-0000	COIN BOX HANDLE	
	0950-00101-0000	COIN DEFLECTOR (2 REQ'D)	
	0950-00900-0000	LARGE PLASTIC COIN BOX	
	0950-00103-0000	COIN BOX DIVIDER - OPTIONAL	
	0017-00101-0142	1/4-20x1-3/8 BLACK RND. HD. BOLT (4 REQ'D)	
	0017-00104-0014	7/8" DISH WASHER (4 REQ'D)	
	0017-00103-0018	1/4-20 HEX NUT (4 REQ'D)	
	18	0A11-00106-0000	BRASS END POST (2 REQ'D)
	19	0017-00009-0558	BRASS RAIL
	20	0935-00906-0100	KICK PLATE - 23" LG.
	21	0017-00102-0048	3/8-16x2" LEG LEVELERS (4 REQ'D)
		0017-00103-0026	3/8-16 LEG LEVELER HEX NUTS (4 REQ'D)

NO. 0A11 - TAPPER UPRIGHT - REAR ACCESS



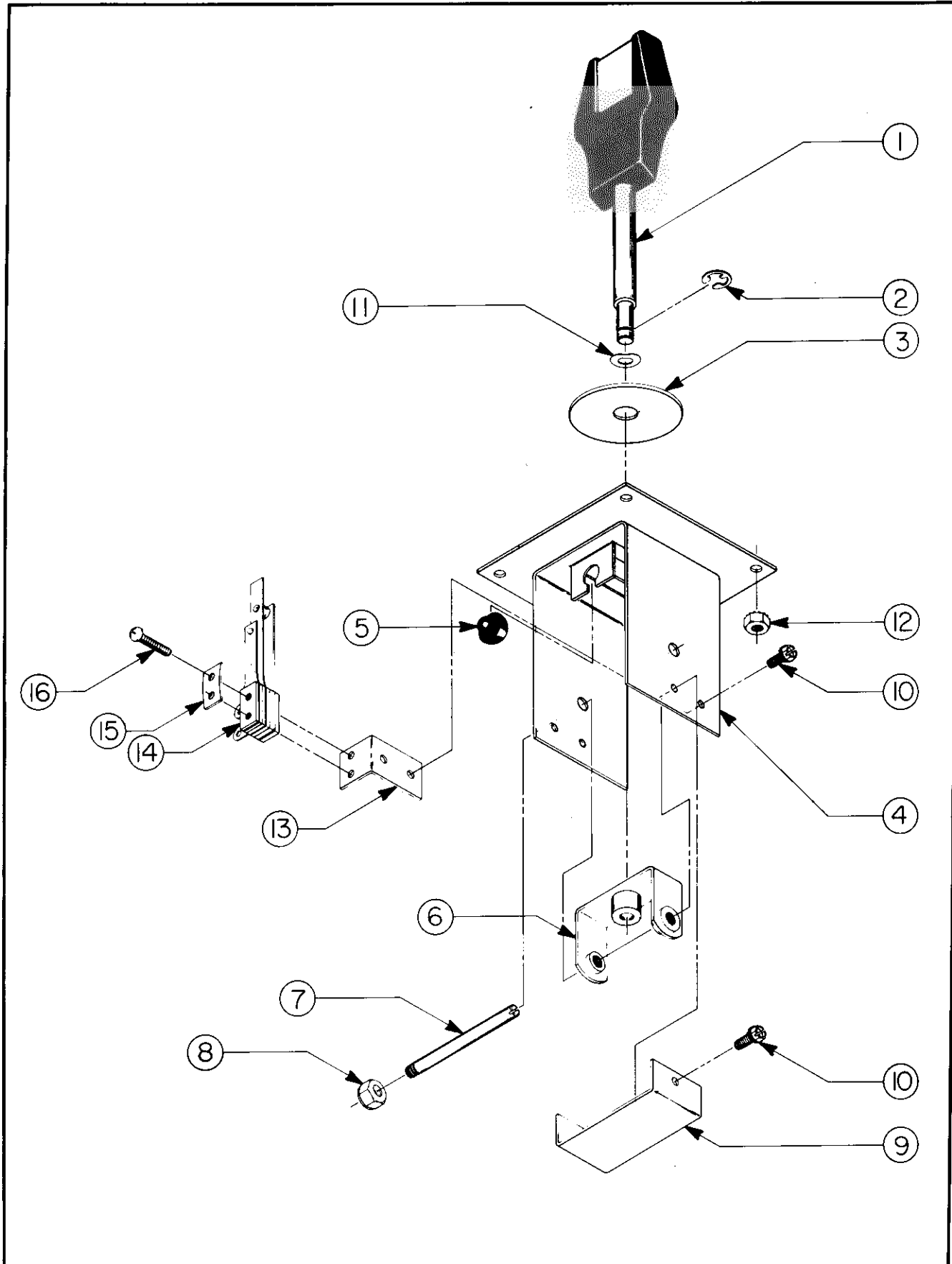


NO. 0A11 - TAPPER UPRIGHT - REAR ACCESS PARTS LIST

ORDER BY PART NUMBER ONLY

ITEM	PART NO.	DESCRIPTION
1	A945-00038-0000	ON-OFF SWITCH & PLATE ASSY.
2	0894-00916-0000	PLASTIC PULL & VENT (2 REQ'D)
	0017-00101-0141	#8x11/16 UNSLOT. HEX HD. M.S. (8 REQ'D)
3	0017-00003-0339	ELECTROHOME - 19" COLOR MONITOR (OR)
3	0017-00003-0439	WELLS-GARDNER - 19" COLOR MONITOR (OR)
3	0017-00003-0454	ZENITH - 19" COLOR DUAL SYNC MONITOR
	0636-00101-0000	MONITOR RAIL (2 REQ'D)
	0555-00901-0000	PLASTIC LOCATING PINS (4 REQ'D)
	0017-00101-0141	#8x11/16 UNSLOT. HEX HD. M.S. (8 REQ'D)
4	A088-00016-0000	INTERLOCK SWITCH & SPRING BRKT. ASSY.
	0303-00904-0000	INTERLOCK SWITCH COVER
5	A084-90910-F000	DUAL POWER AMP ASSY.
6	A084-90412-D000	POWER SUPPLY P.C. ASSY. - 125VA.
	0624-00902-0100	P.C. SUPPORT BRKT. - 12" LG. (2 REQ'D)
	0624-00902-0500	P.C. SUPPORT BRKT. - 6-1/2" LG. (2 REQ'D)
	0017-00101-0141	#8x11/16 UNSLOT. HEX HD. M.S. (10 REQ'D)
	0017-00104-0037	#8 WASHER (10 REQ'D)
7	AA11-00007-0000	CARD RACK W/BOARDS ASSY.
8	A945-00020-0000	POWER CHASSIS ASSY. -125VA., 115V.
9	A961-00007-0000	CASTER ASSEMBLY (2 REQ'D)
10	A945-00019-0000	LINE CORD ASSY. -115V.
		<b>ADDITIONAL PARTS LIST</b>
	A097-00009-0000	BACK DOOR LOCK ASSY.
	0017-00009-0490	5-5/8" SQR. BACK DOOR VENT GRILLE (4 REQ'D)
7	AA11-00007-0000	CARD RACK W/ BOARDS ASSY.
	A084-90913-AA11	PROG. SUPER SOUND I/O P.C. BRD. ASSY.
	A639-00060-0000	SHIELD & BARRIER ASSY.
	0017-00101-0134	#6-32x1/4" PHIL. RND. HD. M.S. (4 REQ'D)
	A084-91490-AA11	PROG. C.P.U. P.C. BOARD ASSY.
	A358-00016-0000	SHIELD & SPACER ASSY. - INNER
	A084-91464-AA11	PROG. SUPER VIDEO GENERATOR P.C.B. ASSY.
	A358-00017-0000	SHIELD & SPACER ASSY. - OUTER
	0017-00101-0153	#6-32x1" PHIL. RND. HD. M.S. (8 REQ'D)

NO. 0A11 - TAPPER UPRIGHT - HANDLE CONTROL ASSY.

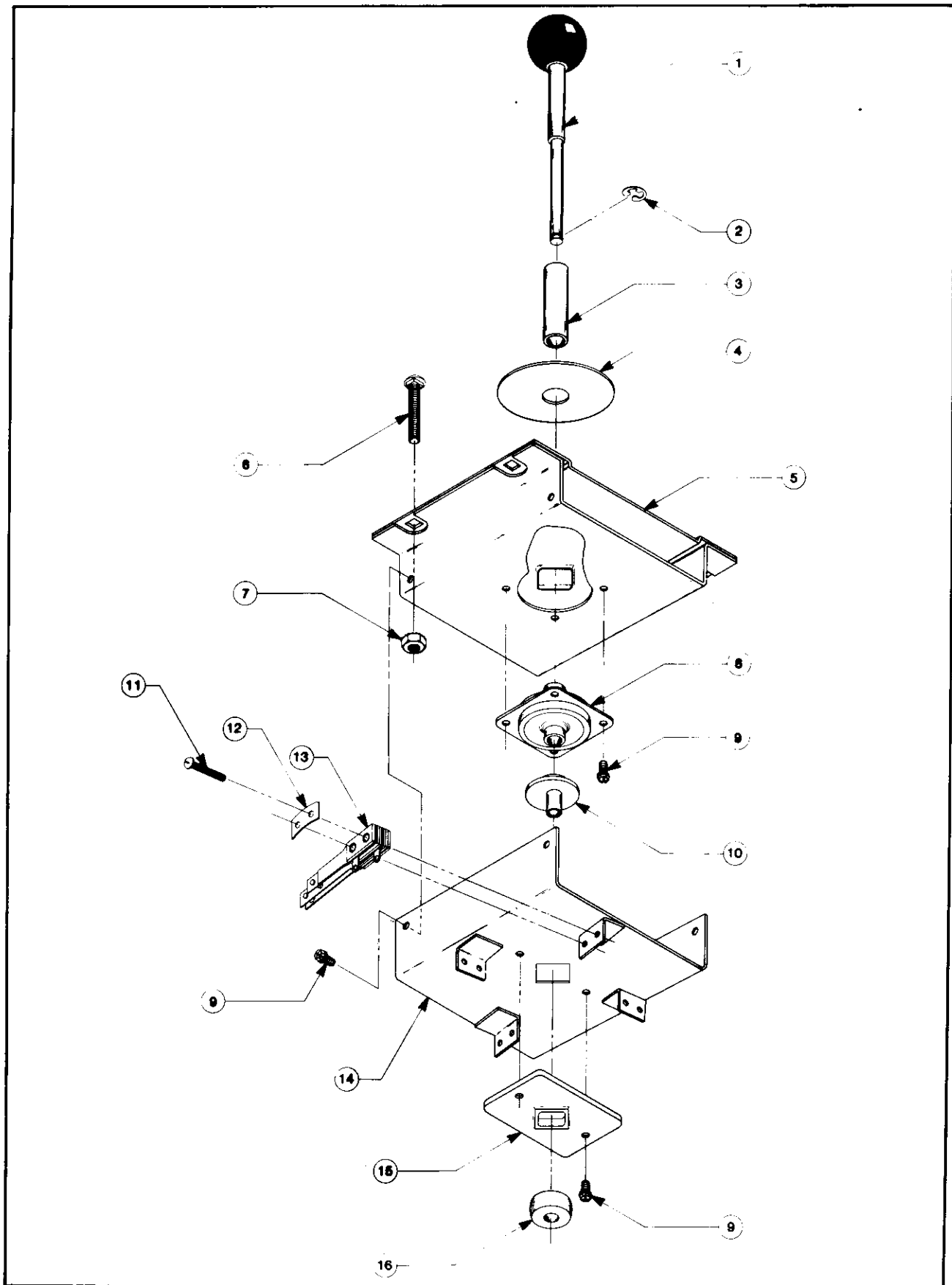


NO. 0A11 - TAPPER UPRIGHT - HANDLE CONTROL ASSY. - PARTS LIST

ORDER BY PART NUMBER ONLY

ITEM	PART NO.	DESCRIPTION
1	AA11-00012-0000	HANDLE & SHAFT ASSY.
2	0017-00100-0025	1/4" E-RING
3	0852-00106-0000	FOLLOWER PLATE
4	AA11-00013-0000	TOP PLATE TO MAIN CONTROL BRKT. ASSY.
5	0017-00041-0616	RUBBER BUMPER - 90 DUROMETER (2 REQ'D)
6	A866-00027-0000	PIVOT BRKT. HUB & BEARING ASSY.
7	0852-00701-00XF	PIVOT PIN
8	0017-00103-0011	#10-32 LOCK NUT
9	0508-00112-00XF	BRACE - MAIN BRKT.
10	0017-00101-0555	#6-32x5/16 SLT. HEX HD. SCREW (3 REQ'D)
11	0017-00104-0116	SPRING WASHER
12	0017-00103-0061	#8-32 LOCK NUT W/SEMS (4 REQ'D)
13	0353-00108-0000	SWITCH BRKT.
14	A353-00020-0000	LEAF SWITCH ASSY.
15	0020-00202-0000	SWITCH PLATE
16	0017-00101-0527	#5-40x5/8 PHIL. RND. HD. M.S. (2 REQ'D)
	0A11-00905-0000	HANDLE OVERLAY (NOT SHOWN)

NO. 0A11 - TAPPER UPRIGHT - CONTROL ASSY.

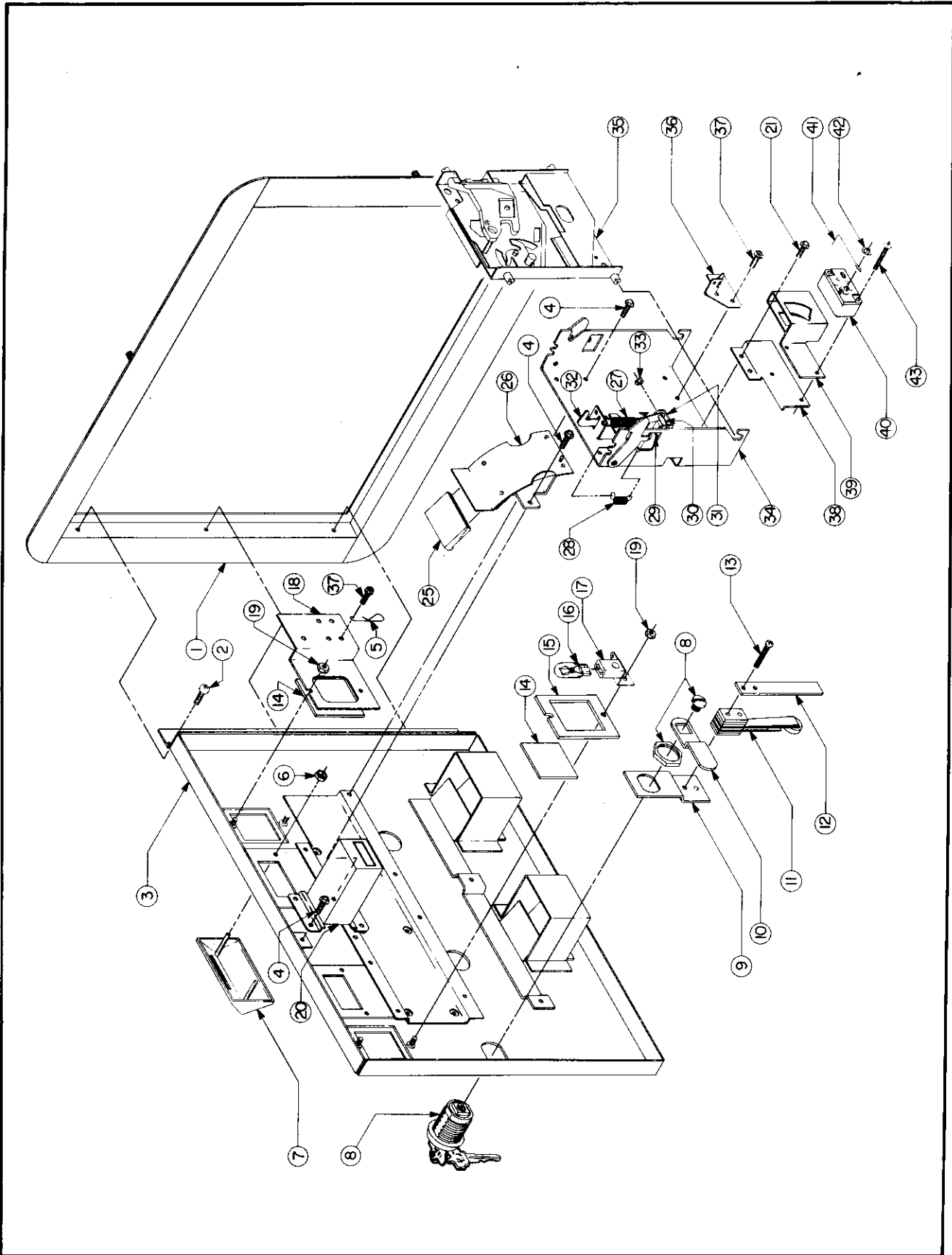


**NO. 0A11 - TAPPER UPRIGHT - CONTROL ASSY. - PARTS LIST**

*ORDER BY PART NUMBER ONLY*

ITEM	PART NO.	DESCRIPTION
1	A932-00022-0000	BALL & SHAFT ASSEMBLY
2	0017-00100-0025	1/4 E-RING
3	0921-00702-0000	STOP SPACER
4	0921-00902-0000	SLIDE PLATE
5	A982-00019-0000	PIVOT PLATE WELD ASSY.
6	0017-00101-0637	#8-32 x 1" CARRIAGE BOLT (4 REQ'D.)
7	0017-00103-0061	#8-32 HEX NUT W/SEMS (4 REQ'D.)
8	0932-00902-0000	GROMMET
9	0017-00101-0598	#8-32 x 5/16 SLT. HEX HD. M.S. (10 REQ'D.)
10	0962-00904-0000	SLEEVE
11	0017-00101-0527	#5-40 x 5/8 SLT. RND. HD. SCR. (8 REQ'D.)
12	0020-00202-0000	SWITCH PLATE (4 REQ'D.)
13	A932-00009-0000	SWITCH ASSEMBLY (4 REQ'D.)
14	A932-00012-0000	STOP PLATE & SWITCH BRKT. ASSY.
15	0932-00905-0000	WEAR PLATE
16	0921-00700-0000	ACTUATOR

FRONT DOOR ASSEMBLY — U.S.A. 25¢

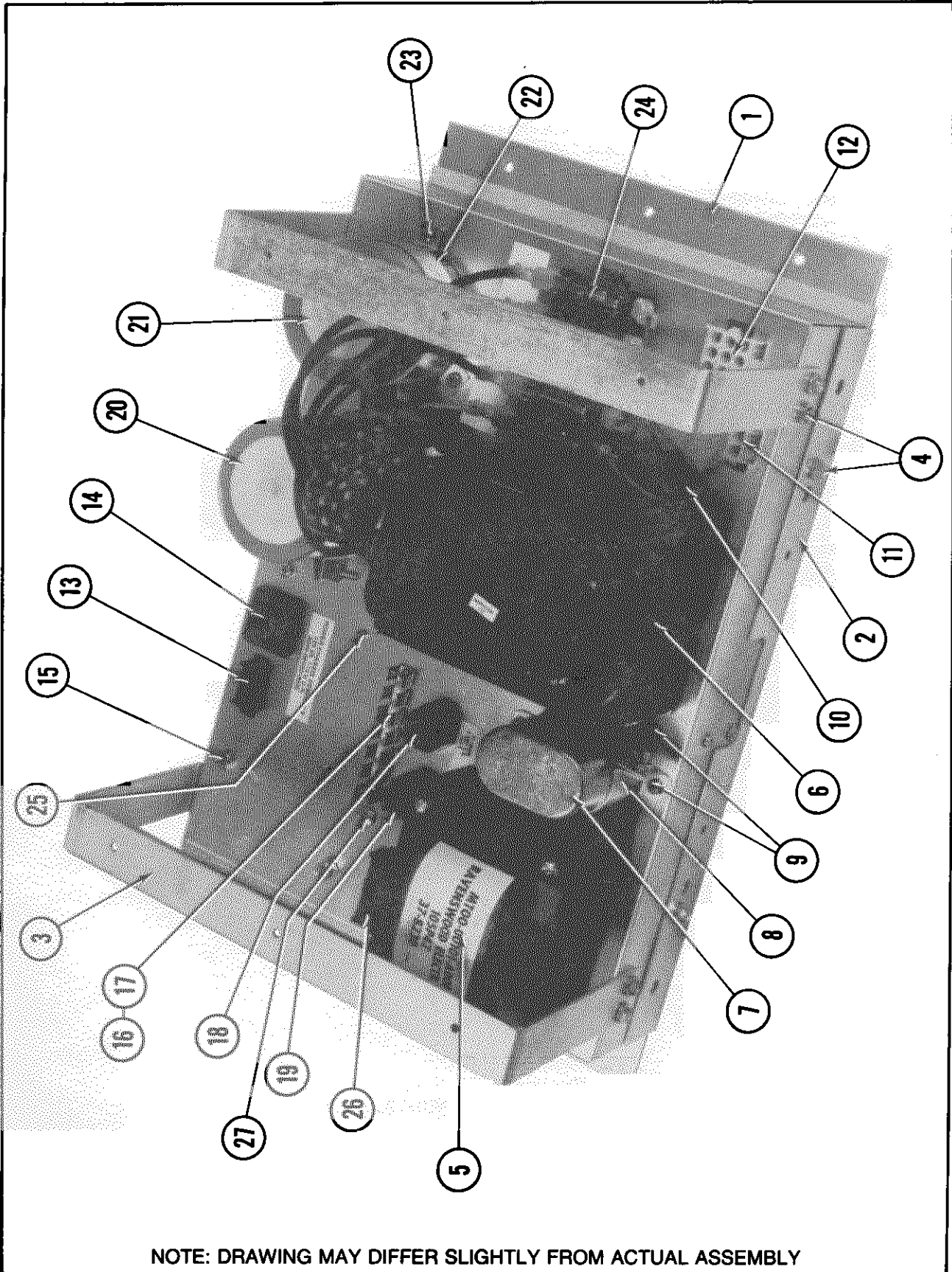


**FRONT DOOR ASSEMBLY — U.S.A. 25¢ — PARTS LIST**

*ORDER BY PART NUMBER ONLY*

ITEM	PART NO.	DESCRIPTION
1	0090-00002-04BK	DOUBLE ENTRY COIN DOOR FRAME
2	0017-00101-0121	#6-32 x 5/16 PHIL. TRS. HD. SCR. (3 REQ'D.)
3	A090-00073-02BK	DOUBLE ENTRY COIN DOOR W/DRESS PLATE
4	0017-00101-0123	#8 x 1/4 UNSLOT. HEX HD. SCREW (12 REQ'D.)
5	0017-00007-0019	KEY HOOK
6	0017-00103-0059	PUSH NUT (4 REQ'D.)
7	0090-00912-0000	COIN ENTRY PLATE — 25¢ (2 REQ'D.)
8	A097-00005-0000	DOOR LOCK & KEY W/SCREW & NUT (OR)
8	A097-00006-0000	DOOR LOCK & KEY W/SCREW, & NUT
9	0090-00128-00XF	DOOR TILT SWITCH BRKT.
10	0017-00005-0225	DOOR CAM
11	A090-00095-0000	DOOR TILT SWITCH
12	0090-00126-03XF	SWITCH BACK-UP PLATE
13	0017-00101-0525	#5-40 x 9/16" PHIL. HD. M.S. (2 REQ'D.)
	A090-00096-0000	DOOR TILT SWITCH & BRKT. ASSY. (ITEMS 9 & 11 THRU 13)
14	0090-00903-9500	25¢ WINDOW (2 REQ'D.)
15	0090-00143-00XF	COIN PLEX RETAINER
16	0017-00003-0219	12 VOLT LAMP — G.E. #194 (2 REQ'D.)
17	0017-00031-0048	WEDGE SOCKET W/BRKT. (2 REQ'D.)
18	A090-00100-0000	BRKT. ASSY.
19	0017-00103-0084	#6-32 HEX NUT W/SEMS (4 REQ'D.)
20	A090-00089-0000	COIN METER W/DIODE
21	0017-00101-0124	#6 x 1/4 UNSLOT. HEX HD. SCR. (4 REQ'D.)
25	0090-00911-0000	INSULATOR (2 REQ'D.)
26	A090-00112-0000	COIN CHUTE & TOP ASSY. (2 REQ'D.)
27	0010-00134-0000	SPRING
28	0010-00181-0000	SPRING
29	0017-00007-0083	1/8 x 1-5/8 ROLL PIN
30	0090-00129-00XF	PIVOT POST
31	0090-00167-00XF	PIVOT LEVER
32	0090-00182-00XF	REJECT LEVER
33	0017-00100-0018	E-RING
	A090-00088-0000	REJECT LEVER ASSY. (2 REQ'D.) (ITEMS 30 THRU 33)
34	A090-00105-0000	COIN ACCEPTOR FRAME ASSY. (2 REQ'D.)
35	0017-00005-0003	COIN ACCEPTOR W/STRING CUTTER (2 REQ'D.) (OR)
35	0017-00005-0211	COIN ACCEPTOR W/ANTI STRING DEVICE (2 REQ'D.) (OR)
35	0017-00005-0214	COIN ACCEPTOR W/STRING CUTTER (2 REQ'D.)
36	A090-00064-0000	ANTI-PENNY DEVICE
37	0017-00101-0099	#6 x 1/4 SLT. HEX HD. M.S. (2 REQ'D.)
38	0090-00162-00XF	COIN SWITCH MTG. BRKT.
39	0017-00005-0203	COIN SWITCH CHUTE
40	0017-00005-0195	COIN SWITCH
41	0010-00599-0000	COIN SWITCH WIRE
42	0017-00007-0015	PUSH-ON RING
	A090-00059-0400	COIN SWITCH & WIRE ASSY. (ITEMS 40 THRU 42)
43	0017-00101-0147	#4-40 x 3/4 PHIL. PAN. HD. M.S. (2 REQ'D.)
	A090-00077-0000	COIN GUIDE & SWITCH ASSY. (ITEMS 38 THRU 43)

— POWER CHASSIS ASSY. — 125VA., 115V.



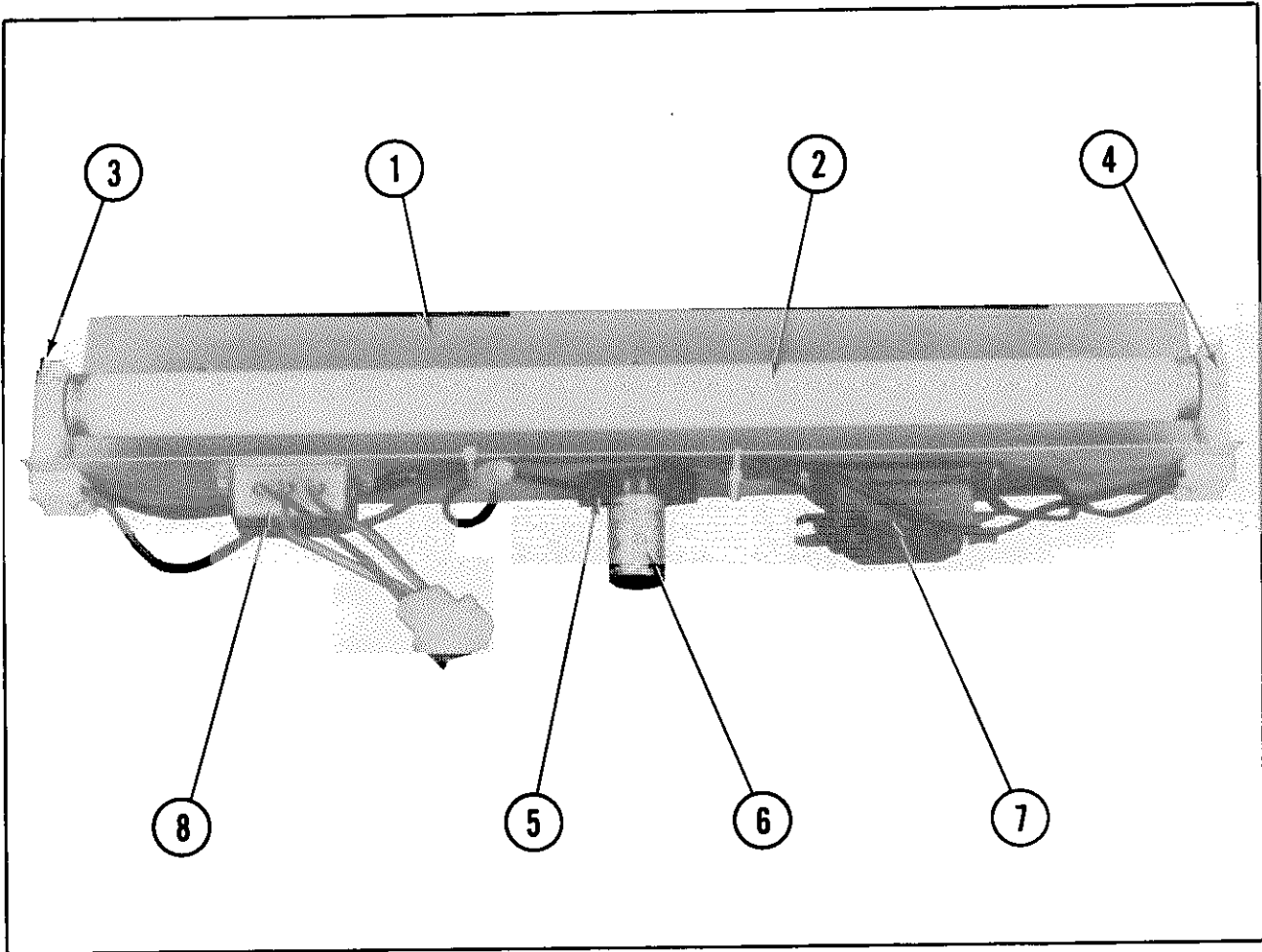


**POWER CHASSIS ASSY.—125VA., 115V.—PARTS LIST**

ORDER BY PART NUMBER ONLY

ITEM	PART NO.	DESCRIPTION
1	A945-00046-00XF	CHASSIS & PARTITION ASSY.
2	A945-00029-0100	MTG. PLATE & BARRIER ASSY.
3	0945-00107-01XF	STRAP (2 REQ'D.)
4	0017-00101-0123	#8 x 1/4 UNSLOT. HEX HD. SCR. (12 REQ'D.)
5	MT00-00101-A000	ISOLATION TRANSFORMER W/O SHIELD ASSY. — 115V., 50/60 HZ.
	0017-00103-0061	#8-32 HEX NUT W/SEMS (4 REQ'D.)
6	MT00-00099-A000	POWER TRANSFORMER ASSY. — 115V., 60 HZ.
	0017-00103-0084	#6-32 HEX NUT W/SEMS (4 REQ'D.)
7	0175-181T4-GXJK	CAPACITOR — 3.5 M.F., 440V.
8	0017-00009-0535	CLAMP
	0017-00101-0565	#6-32 x 7/16 SLT. PAN HD. SCR.
	0017-00103-0084	#6-32 HEX NUT W/SEMS
9	0017-00101-0067	#6 x 3/8 PHIL. PAN HD. SCR. (11 REQ'D.)
10	0945-00902-0000	SNAP BUSHING (3 REQ'D.)
11	0017-00021-0297	2 POSITION CONNECTOR
12	A945-00030-0100	CONNECTOR & CABLE ASSY. #1
13	A945-00030-0200	CONNECTOR & CABLE ASSY. #2
14	A945-00021-0000	CONVENIENCE OUTLET ASSY.
15	0017-00101-0573	#6-32 x 1/2 PHIL. RND. HD. SCR. (2 REQ'D.)
	0017-00103-0084	#6-32 HEX NUT W/SEMS (2 REQ'D.)
	A945-00025-0000	FILTER ASSEMBLY — 125V. — UNDER CHASSIS (NOT SEEN)
16	0017-00021-0510	TERMINAL STRIP
17	0017-00101-0140	#4-40 x 5/16 PHIL. PAN HD. SCR. (2 REQ'D.)
18	0017-00083-0263	SLO-BLO FUSE — 4A., 250V.
19	0017-00003-0005	FUSE — 2A., 250V.
	0017-00003-0444	QUICK CONN. FUSEHOLDER (2 REQ'D.) — FOR ABOVE FUSES
20	0945-00816-1902	CAPACITOR — 100,000 M.F.
21	0945-00816-1901	CAPACITOR — 55,000 M.F.
	0017-00104-0107	#10 FLAT WASHER (4 REQ'D.)
	0017-00103-0081	#10-32 HEX NUT W/SEMS (4 REQ'D.)
22	0017-00009-0422	CLAMP (2 REQ'D.)
	0017-00101-0758	#8-32 x 3/4 PHIL. RND. HD. SCREW (2 REQ'D.)
	0017-00103-0061	#8-32 HEX NUT W/SEMS (2 REQ'D.)
23	0017-00101-0067	#6 x 3/8 PHIL. PAN HD. SCR. (6 REQ'D.)
24	0945-00904-0000	5 POSITION FUSE HOLDER
	0017-00003-0263	SLO-BLO FUSE — 4A., 250V.
	0017-00003-0217	SLO-BLO FUSE — 2.5A., 250V. (2 REQ'D.)
	0017-00003-0007	SLO-BLO FUSE — 3A., 250V. (2 REQ'D.)
	0945-00903-0000	FUSE HOLDER BARRIER
	A945-00022-0000	HEATSINK & DIODE ASSY.
	0017-00101-0067	#6 x 3/8 PHIL. PAN HD. SCR. (2 REQ'D.)
25	0017-00101-0780	#6 x 1/2 PHIL. PAN HD. SCREW (2 REQ'D.)
	0017-00021-0629	5 POSITION TERMINAL STRIP — (UNDER CHASSIS)
	A945-00019-0000	LINE CORD ASSY. — 115V. (NOT SHOWN)
26	A945-00030-0500	CONNECTOR & CABLE ASSY.
27	0017-00101-0660	#10-32 x 3/4 PAN HD. SCREW
	0017-00104-0107	#10 FLAT WASHER
	0017-00103-0081	#10-32 HEX NUT W/SEMS

## HEADER FLOURESCENT FIXTUTRE ASSY.

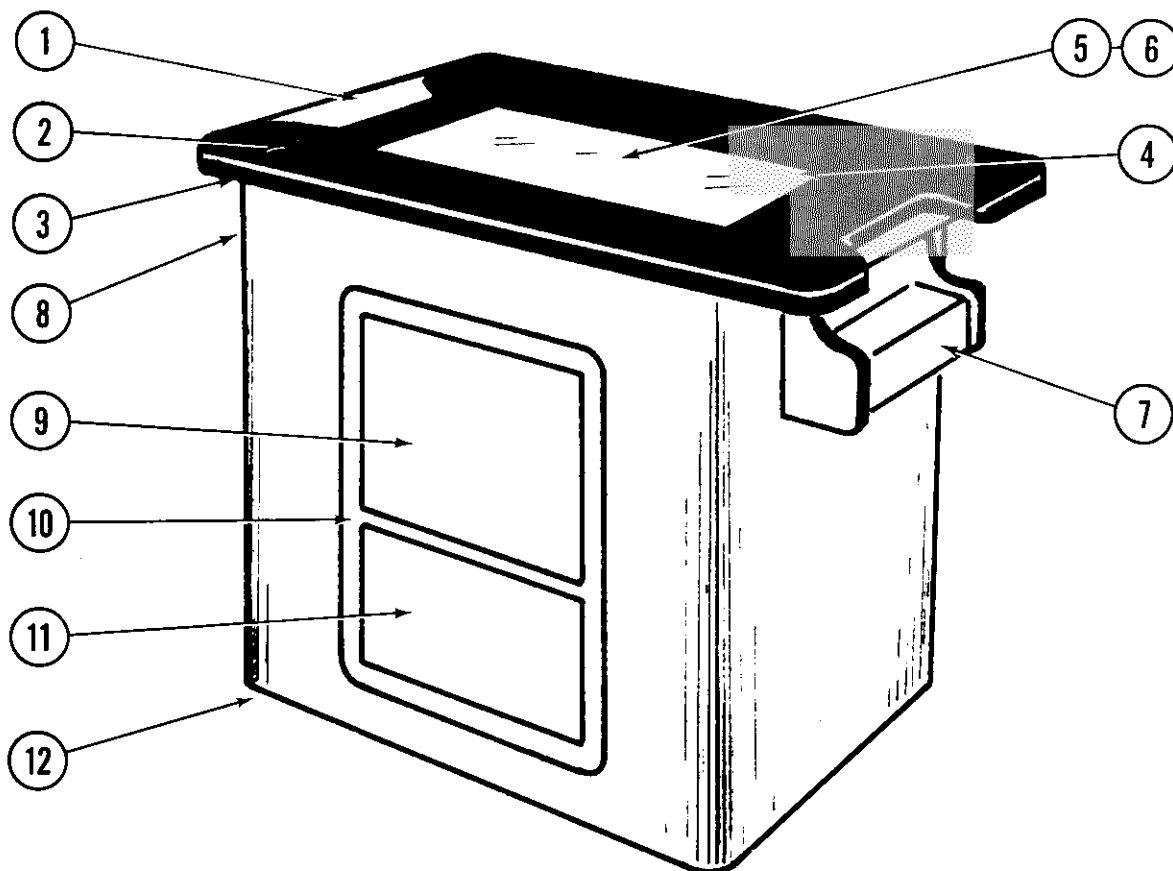


### HEADER FLOURESCENT FIXTUTRE ASSY. - PARTS LIST

*ORDER BY PART NUMBER ONLY*

ITEM	PART NO.	DESCRIPTION
1	0595-00105-0000	FLUORESCENT BRKT.
2	0017-00003-0043	18" COOL WHITE FLUORESCENT LAMP
3	0017-00003-0445	LAMP LOCKS (2 REQ'D.)
4	0017-00031-0036	FLUORESCENT SOCKET (2 REQ'D.)
5	0017-00003-0412	FLUORESCENT STARTER HOLDER W/LEADS
	0017-00101-0573	#6-32 x 1/2 PHIL. RND. HD. M.S. (4 REQ'D.)
	0017-00104-0009	#6 EXT. WASHER (4 REQ'D.)
6	0017-00003-0019	FLUORESCENT STARTER
7	0017-00003-0026	BALLAST
	0017-00101-0598	#8-32 x 5/16 SLT. HEX HD. SCR. (4 REQ'D.)
8	A961-00042-0000	LINE FILTER ASSY.

NO. 0A56 - TAPPER COCKTAIL - PARTS LIST



ORDER BY PART NUMBER ONLY

ITEM	PART NUMBER	DESCRIPTION
1	0311-00901-0000	COVER GLASS
2	0A56-00900-0000	DECORATIVE ARTWORK UNDERLAY
3	0311-00101-00XF	CORNER GLASS CLIPS (4 REQ'D)
	0017-00101-0126	#10-32x3/4 HEX BUTTON HD. SCREW (4 REQ'D)
4	0017-00042-0314	19" BEZEL - INJECTION MOLDED
	0311-00100-0000	BEZEL MTG. BRKT. (2 REQ'D)
5	0333-00902-0000	DIFFUSER
	0508-00901-0000	PLEXI-GLASS MTG. CLIPS (4 REQ'D)
	0017-00101-0124	#6x1/4 UNSLOT HEX HD. M.S. (4 REQ'D)
6	0017-00003-0474	ELECTROHOME - 19" COLOR MONITOR (OR)
6	0017-00003-0473	WELLS-GARDNER - 19" COLOR MONITOR
	0311-00109-0000	HORIZONTAL MONITOR MTG. BRKT. (2 REQ'D)
	0311-00902-0000	MONITOR SHIELD
7	AA56-00004-0200	CONTROL SHELF ASSY. - PLAYER #2
	0A56-00901-0200	DECORATIVE OVERLAY - PLAYER #2

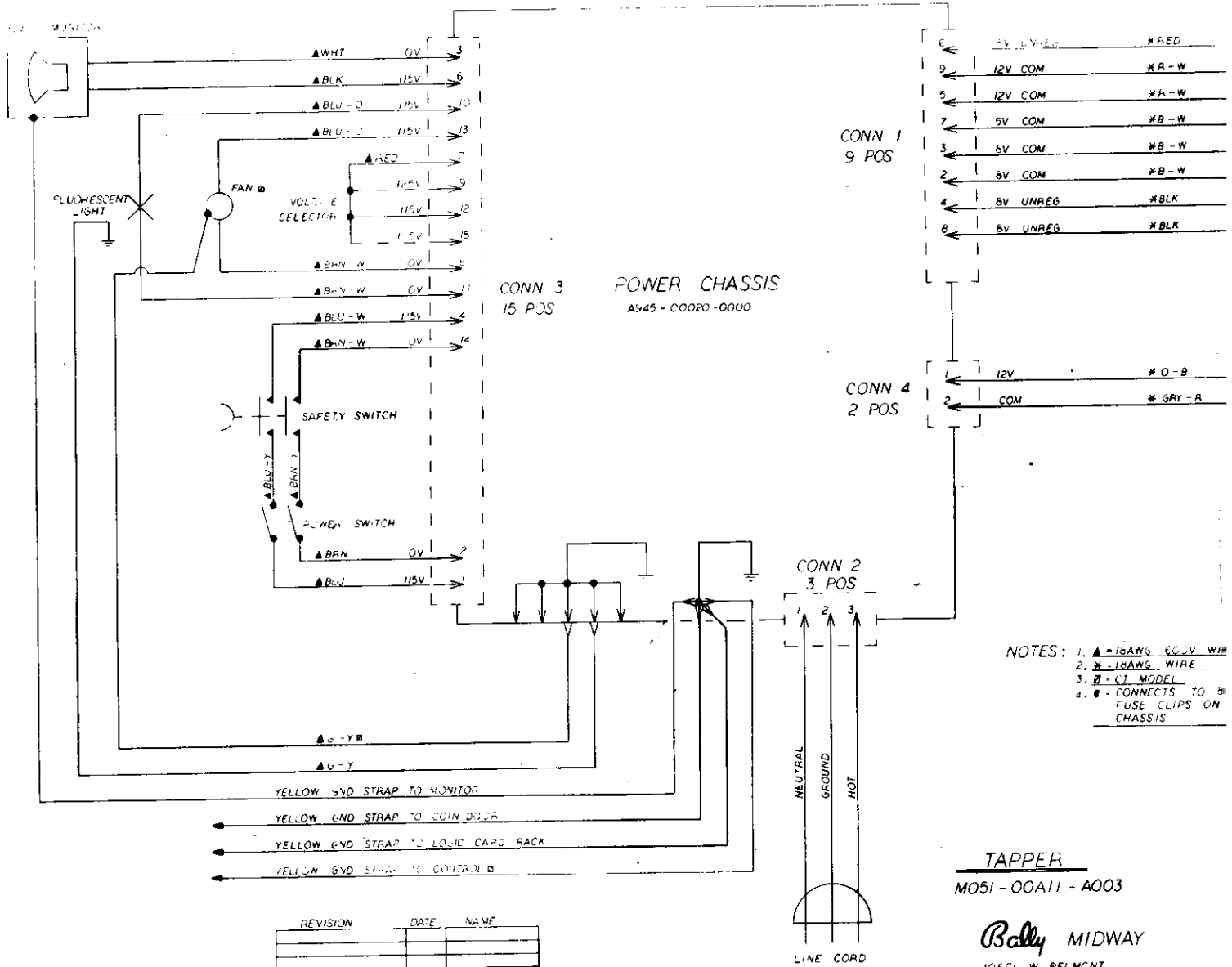
MO51-00A56-A009

NO. 0A56 - TAPPER COCKTAIL - PARTS LIST

ORDER BY PART NUMBER ONLY

ITEM	PART NUMBER	DESCRIPTION
8	AA56-00004-0100	CONTROL SHELF ASSY. - PLAYER #1 (NOT SEEN)
	0A56-00901-0100	DECORATIVE OVERLAY - PLAYER #1
*	A982-00017-0000	MOLDED BALL CONTROL ASSY. (2 REQ'D)
*	AA11-00015-0000	HANDLE CONTROL ASSY. (2 REQ'D)
	0017-00032-0106	PUSH BUTTON SWITCH (2 REQ'D)
	A362-00012-00XF	BOTTOM PLATE & CONTROL HINGE ASSY. (2 REQ'D)
	0362-00901-0000	LIGHT SHIELD (2 REQ'D)
	0362-00100-0000	LOCATION BRACKET (2 REQ'D)
	0017-00031-0044	WEDGE BASE LAMP SOCKET (4 REQ'D)
	0017-00003-0219	#194 WEDGE BASE LAMP (4 REQ'D)
9	A982-00014-0001	COIN DOOR & CABLE ASSY.
10	A090-00603-00XF	COIN DOOR FRAME ASSY.
11	A090-00605-0000	COIN BOX DOOR & LOCK ASSY.
	A090-00620-0000	FORMED COIN BOX & ENCLOSURE ASSY.
12	0311-00900-0000	LEG (4 REQ'D)
	0017-00101-0769	#10x3/4 SLT HEX HD. WOOD SCREW (20 REQ'D)
	0017-00102-0048	3/8-16x2" LEG LEVELERS (4 REQ'D)
	0017-00103-0026	3/8-16 LEG LEVELER HEX NUTS (4 REQ'D)
		<b>ADDITIONAL PARTS LIST</b>
*	AA11-00007-0000	CARD RACK W/BOARDS ASSY.
	A084-90412-D000	POWER SUPPLY - 125VA
	0624-00902-0500	P.C. SUPPORT BRKT. - 6-1/2" LG. (2 REQ'D)
	0624-00902-0100	P.C. SUPPORT BRKT. - 12' LG. (2 REQ'D)
*	A945-00020-0000	POWER CHASSIS ASSY. - 125VA, 115V
	A945-00033-0000	MAGNETIC SHIELD & LABEL ASSY.
	A945-00019-0000	LINE CORD ASSY. - 115V
	A945-00038-0000	ON - OFF SWITCH & PLATE ASSY.
	A088-00018-0000	INTERLOCK SWITCH & BRACKET ASSY.
	A775-00013-0000	FAN ASSEMBLY
	0017-00003-0430	6" x 9" SPEAKER 4 OHM, 10W (2 REQ'D)
	0017-00009-0393	BLACK SPEAKER GRILLE W/SLOTS (2 REQ'D)
	0017-00101-0127	#8-32 x 1-1/2 BLACK RND. HD. CARRIAGE BOLT (8 REQ'D)
	0017-00103-0061	#8-32 HEX NUT W/SEMS (8 REQ'D)
	0311-00102-0000	TOP SHELF MORTISE HINGE (2 REQ'D)
	0017-00101-0156	#10-32 1-1/4 BLACK RND. HD. CARRIAGE BOLT (8 REQ'D)
	0017-00103-0081	#10-32 HEX NUT W/SEMS (8 REQ'D)
	0017-00009-0534	BASSICK CLAMP (2 REQ'D)
	0610-00132-00ZN	STRIKE (2 REQ'D)
	A311-00009-0100	CLAMP & BRACKET ASSY. - R.H.
	A311-00009-0200	CLAMP & BRACKET ASSY. - L.H.
	0311-00103-00XF	CATCH (2 REQ'D)
	0017-00101-0141	#8 x 1 1/16 UNSLOT HEX HD. M.S. (22 REQ'D)

\* = SEE TAPPER UPRIGHT CATALOG FOR DETAIL BREAKDOWN OF PARTS LIST & ILLUSTRATION.

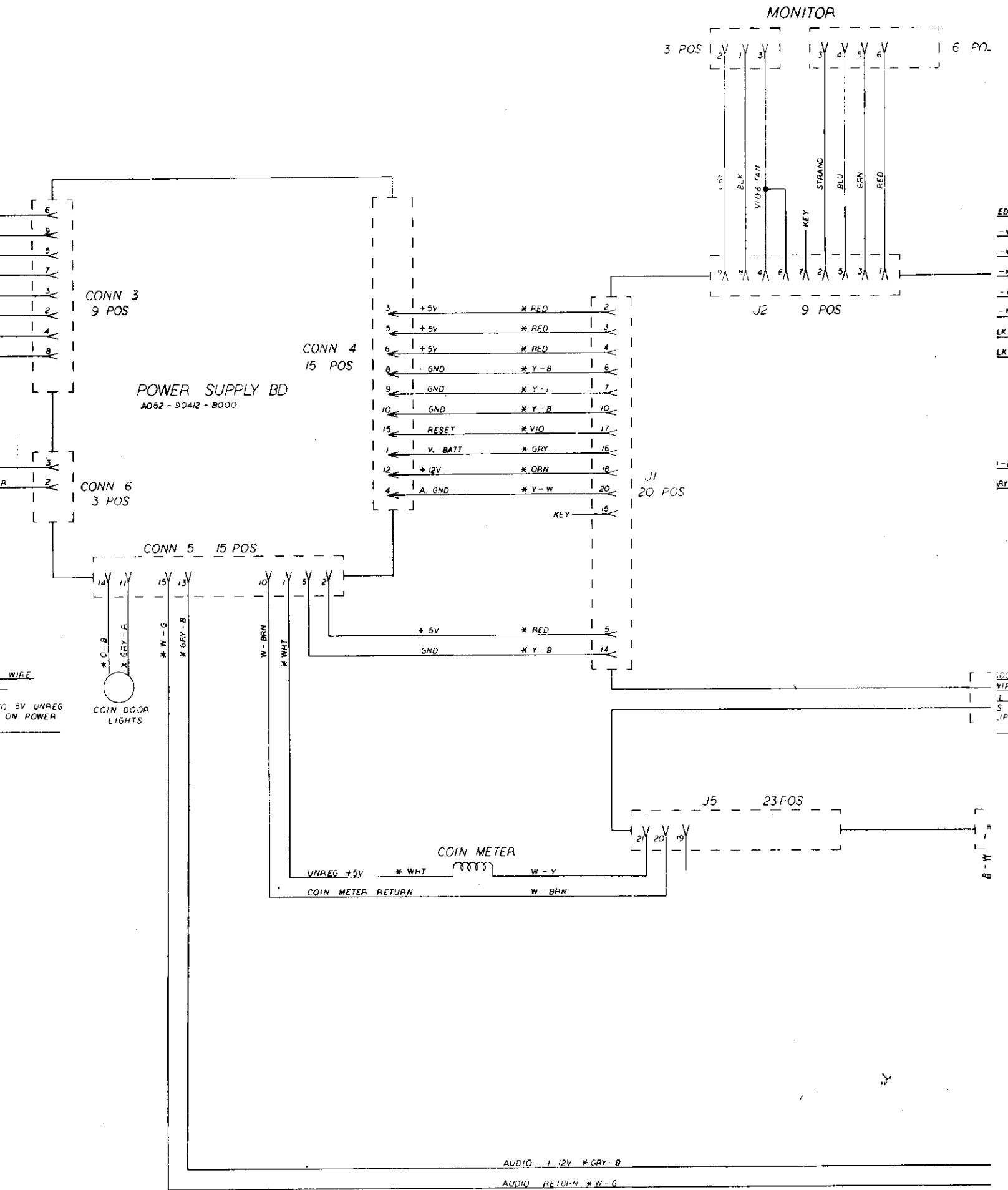


- NOTES:
- ▲ = 16AWG. 602V. WIR
  - \* = 18AWG. WIRE
  - = CT. MODEL
  - = CONNECTS TO 50 FUSE CLIPS ON CHASSIS

**TAPPER**  
M051-00A11-A003

**Bally** MIDWAY  
10001 W BELMONT  
FRANKLIN PARK, ILL 60131

REVISION	DATE	NAME



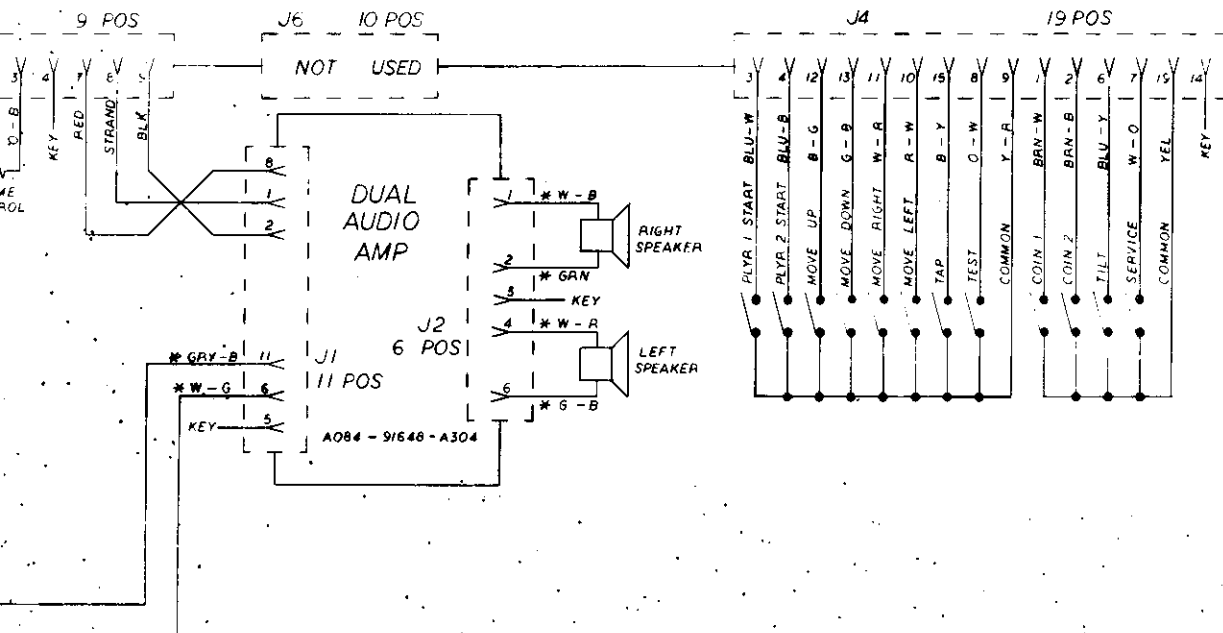
VIDEO GEN. BD.

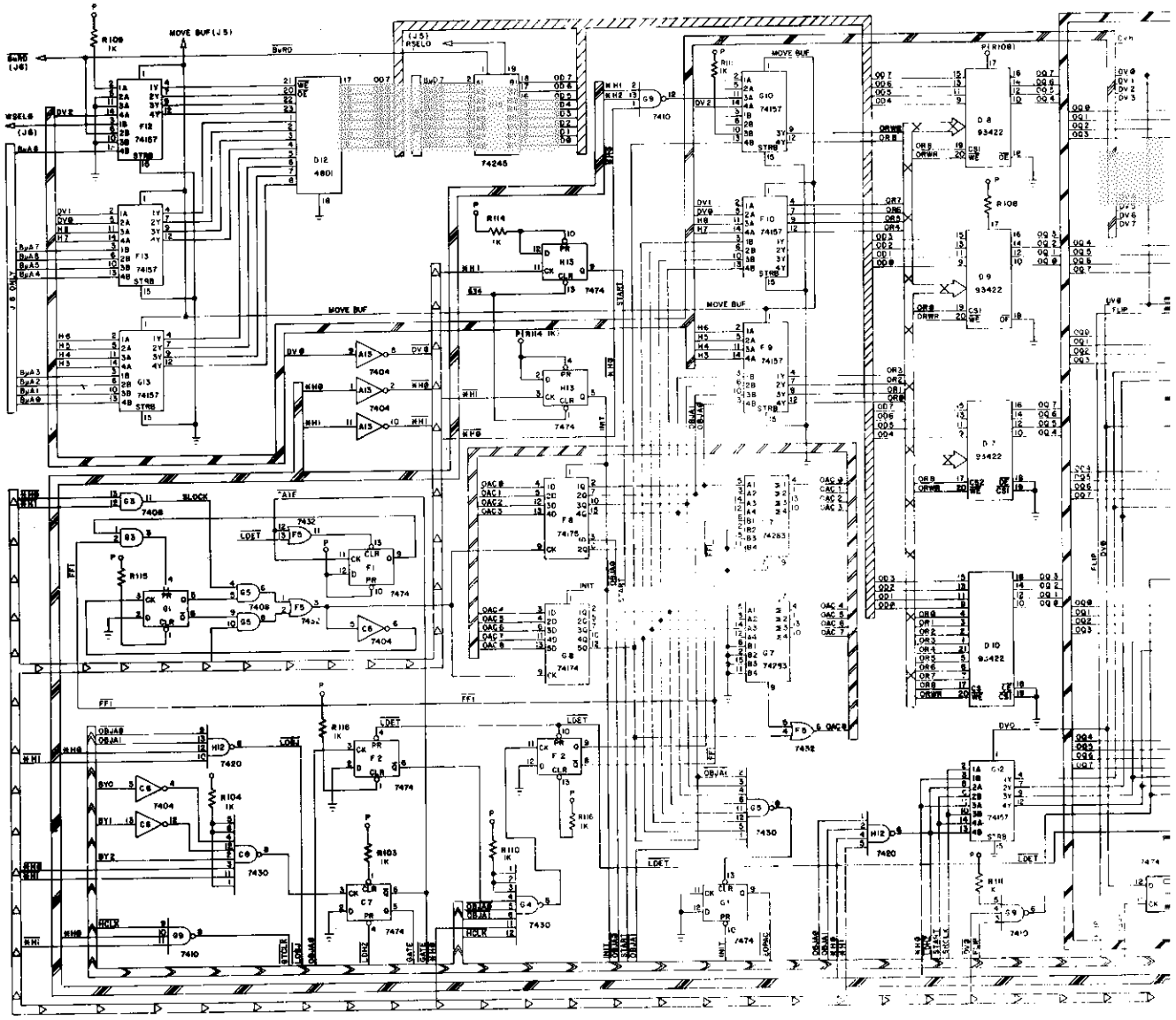
SUPER CPU BD

A084 - 90010 - AA11

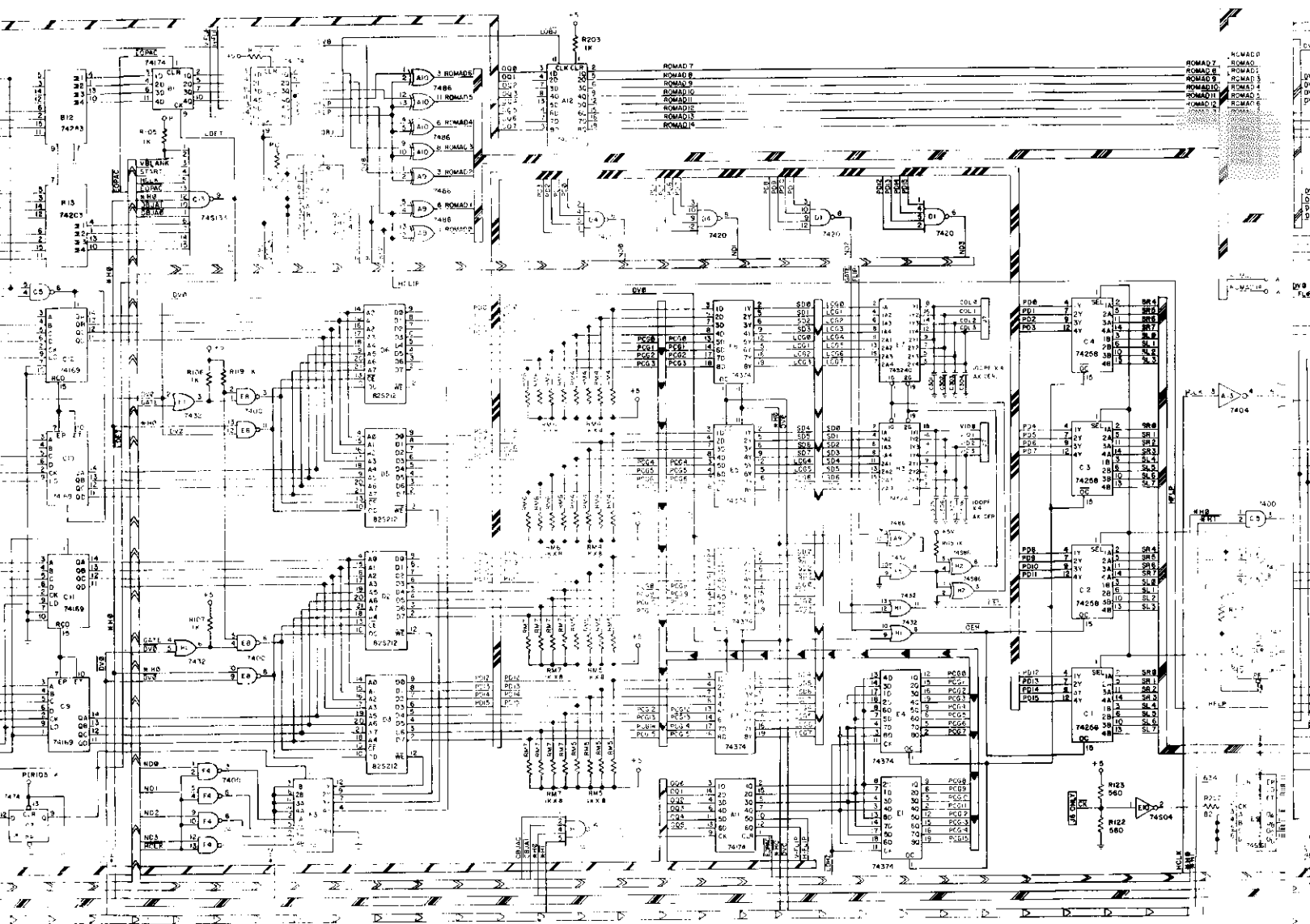
SUPER SOUND I/O BD

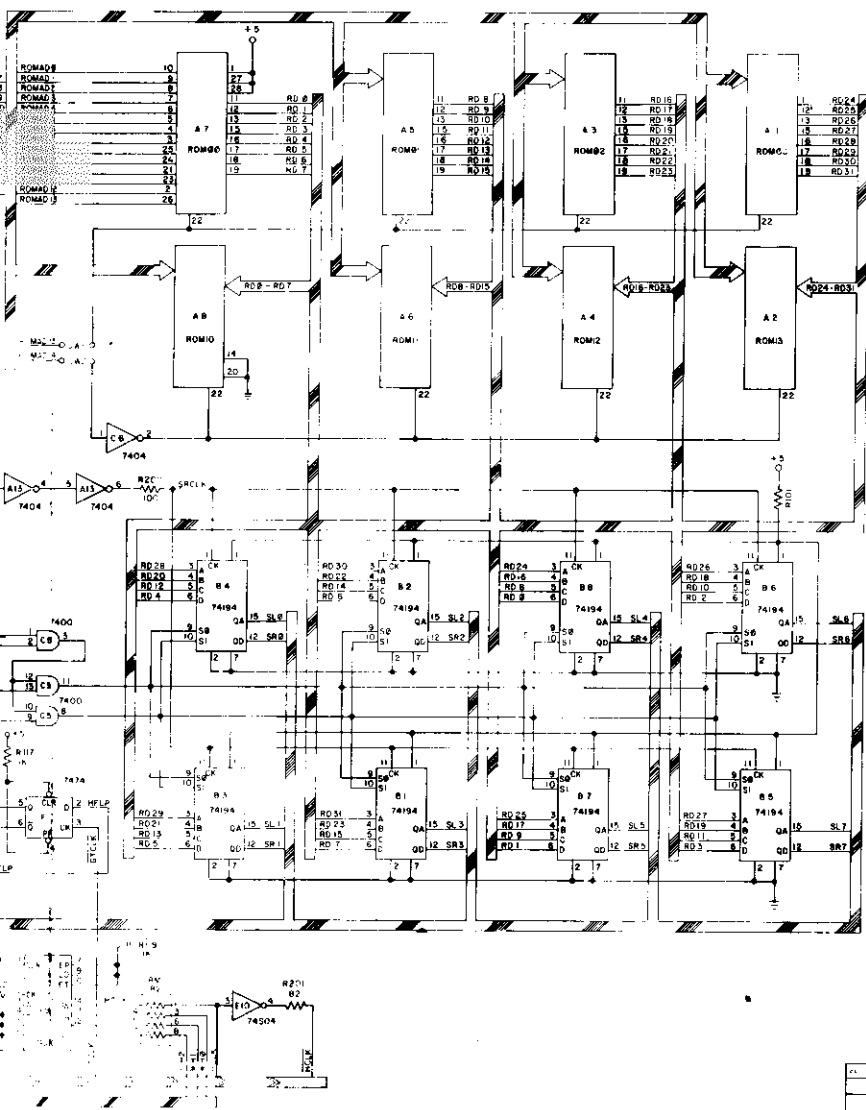
A084 - 90913 - AA11



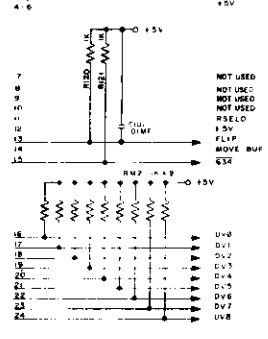




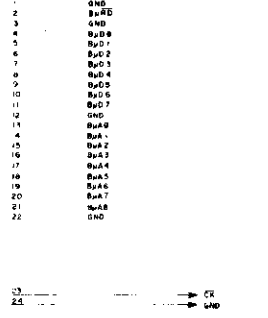




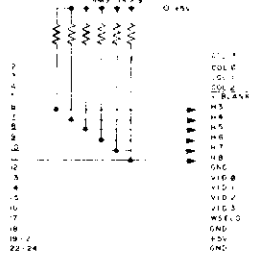
25. 24 PIN H BRON LABEL



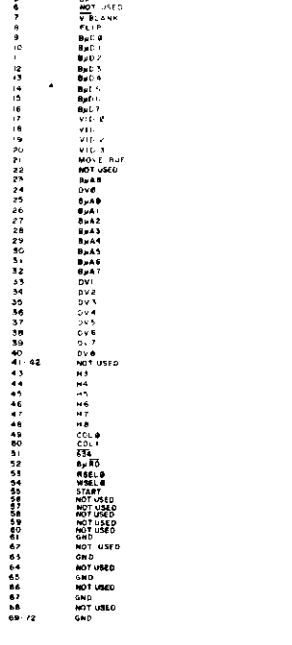
26. 24 PIN H BRON LABEL



27. 24 PIN H BRON LABEL



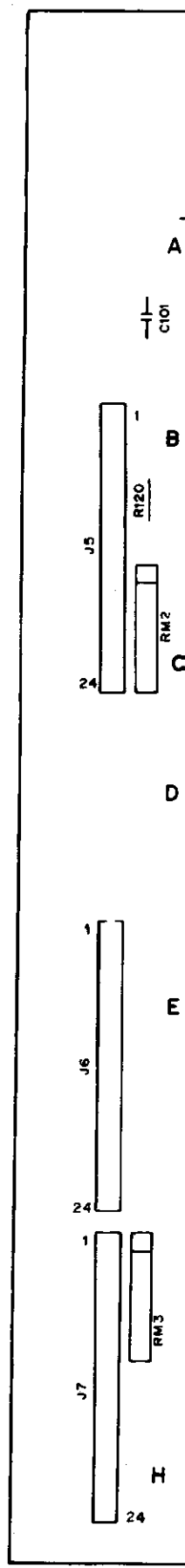
28. PIN TEST CABLE LABEL

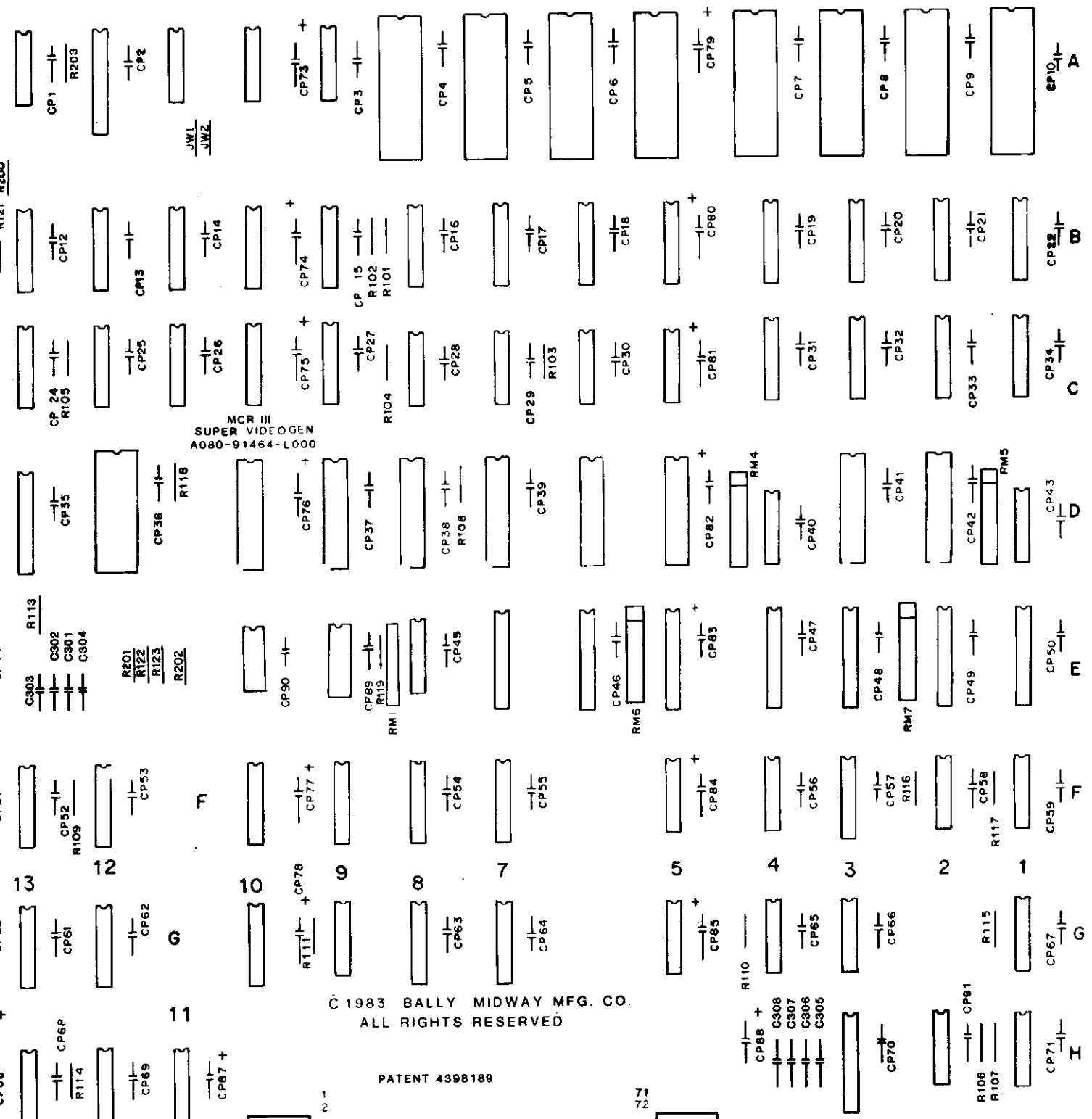


REV. 1	DATE	BY	APPROVED	DATE	BY
SUPER VIDEO GEN. MCR II			MIDWAY MFG. CO.		
ACME-1144-LC10			MOD - 00304 - 1008		

DESIGNATION LIST

<u>DESIGNATION</u>	<u>DESCRIPTION</u>	<u>DESIGNATION</u>	<u>DESCRIPTION</u>
C101	.01 MF AX CER	IC 1D	7420
C301-C308	100 PF AX CER	IC 2D	93479
CP1-CP71	.01 MF AX CER	IC 3D	93479
CP72,CP86	100 MF AX ELECT.	IC 4D	7420
CP73-CP85,CP87, CP88	10 MF 25V AX TANT.	IC 5D	93479
CP89,CP90,CP91	.01MF AX. CER.	IC 6D	93479
		IC 7D	93422
		IC 8D	93422
R101-R111,R113- R121	1K OHM 1/4W	IC 9D	93422
R122,R123	560 OHM 1/4W	IC 10D	93422
R200	100 OHM 1/4W	IC 12D	STAT. RAM
R201 R202	82 OHM 1/4W	IC 13D	74LS245
R203	1K OHM 1/4W	IC 1E	74LS374
RM1	82 OHM 8 PIN SIP	IC 2E	74LS374
RM 2	1K 10 PIN SIP	IC 3E	74LS374
RM 3	1K 10 PIN SIP	IC 4E	74LS374
RM 4	1K 9 PIN SIP	IC 5E	74LS374
RM 5	1K 9 PIN SIP	IC 6E	74LS374
RM 6	1K 9 PIN SIP	IC 7E	74LS240
RM 7	1K 9 PIN SIP	IC 8E	74LS00
		IC 9E	74S161
		IC 10E	74S04
IC 1A	EPROM	IC 1F	74LS74
IC 2A	EPROM	IC 2F	74LS74
IC 3A	EPROM	IC 3F	74LS157
IC 4A	EPROM	IC 4F	74S00
IC 5A	EPROM	IC 5F	74LS32
IC 6A	EPROM	IC 7F	74LS283
IC 7A	EPROM	IC 8F	74LS175
IC 8A	EPROM	IC 9F	74LS157
IC 9A	74LS86	IC 10F	74LS157
IC 10A	74LS86	IC 12F	74LS157
IC 11A	74LS174	IC 13F	74LS157
IC 12A	74LS273	IC 1G	74LS74
IC 13A	74S04	IC 3G	74S08
		IC 4G	74LS30
IC 1B	74LS194	IC 5G	74LS30
IC 2B	74LS194	IC 7G	74LS283
IC 3B	74LS194	IC 8G	74LS174
IC 4B	74LS194	IC 9G	74LS10
IC 5B	74LS194	IC 10G	74LS157
IC 6B	74LS194	IC 12G	74LS157
IC 7B	74LS194	IC 13G	74LS157
IC 8B	74LS194		
IC 9B	74LS161	IC 1H	74LS32
IC 10B	74LS174	IC 2H	74S86
IC 11B	74LS174	IC 3H	74LS240
IC 12B	74S283	IC 11H	7420
IC 13B	74S283	IC 12H	7420
		IC 13H	74LS74
IC 1C	74LS258	ICS1A-ICS8A	28 PIN SOCKET
IC 2C	74LS258	ICS D2,D3,D5-D10	22 PIN SOCKET
IC 3C	74LS258	ICS D12	24 PIN SOCKET
IC 4C	74LS258		
IC 5C	74LS00	J5,J6,J7	KK100 RT ANGLE 24 PIN CONN.
IC 6C	74LS04		
IC 7C	74LS74	JW 1, JW2	JUMPER WIRE
IC 8C	74LS30		
IC 9C	74LS169	MCR III SUPER VIDEO GEN.	A082-91464-L000
IC 10C	74LS169		
IC 11C	74LS169		
IC 12C	74LS169		
IC 13C	74S133		





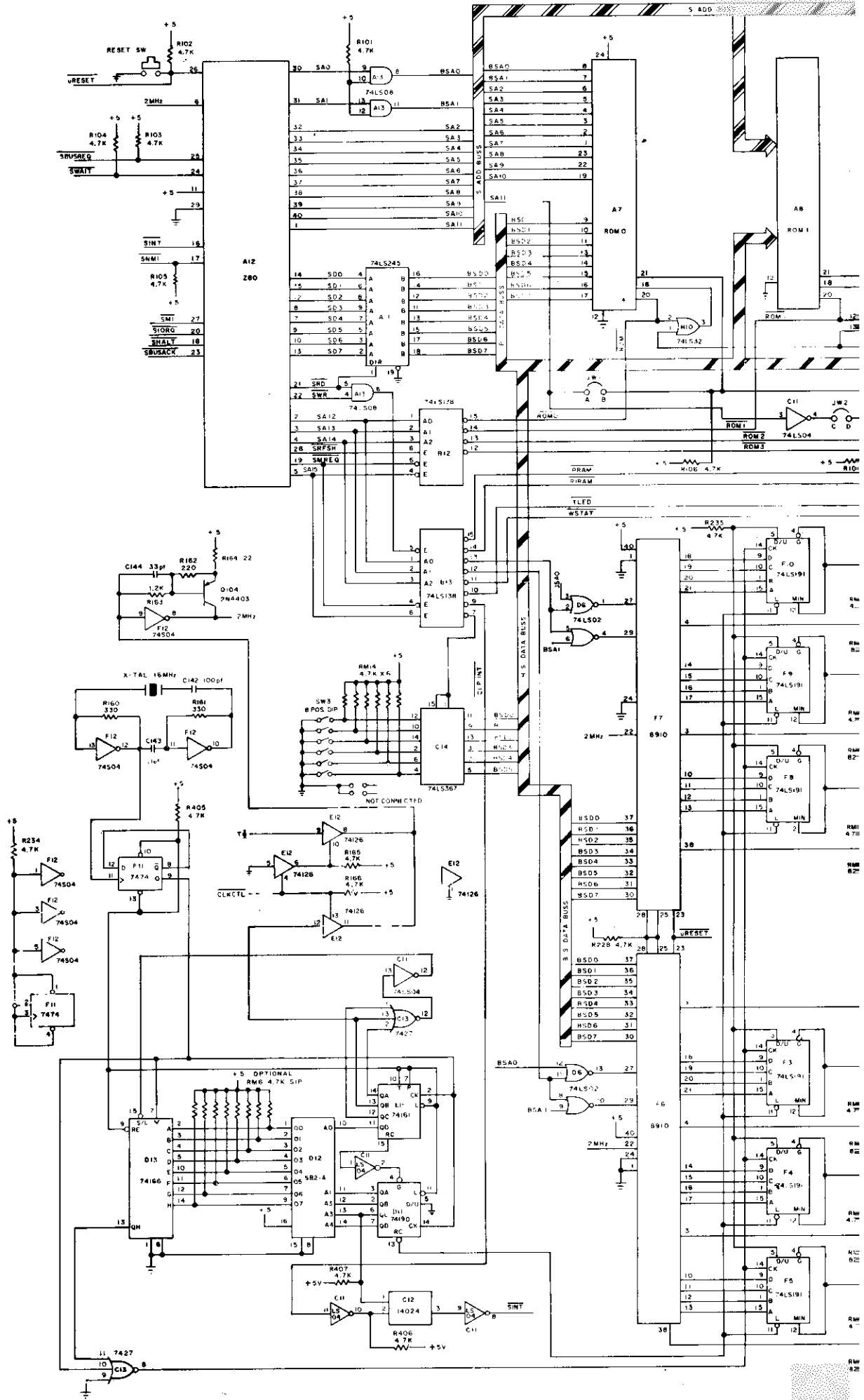
CROSS REFERENCE LIST

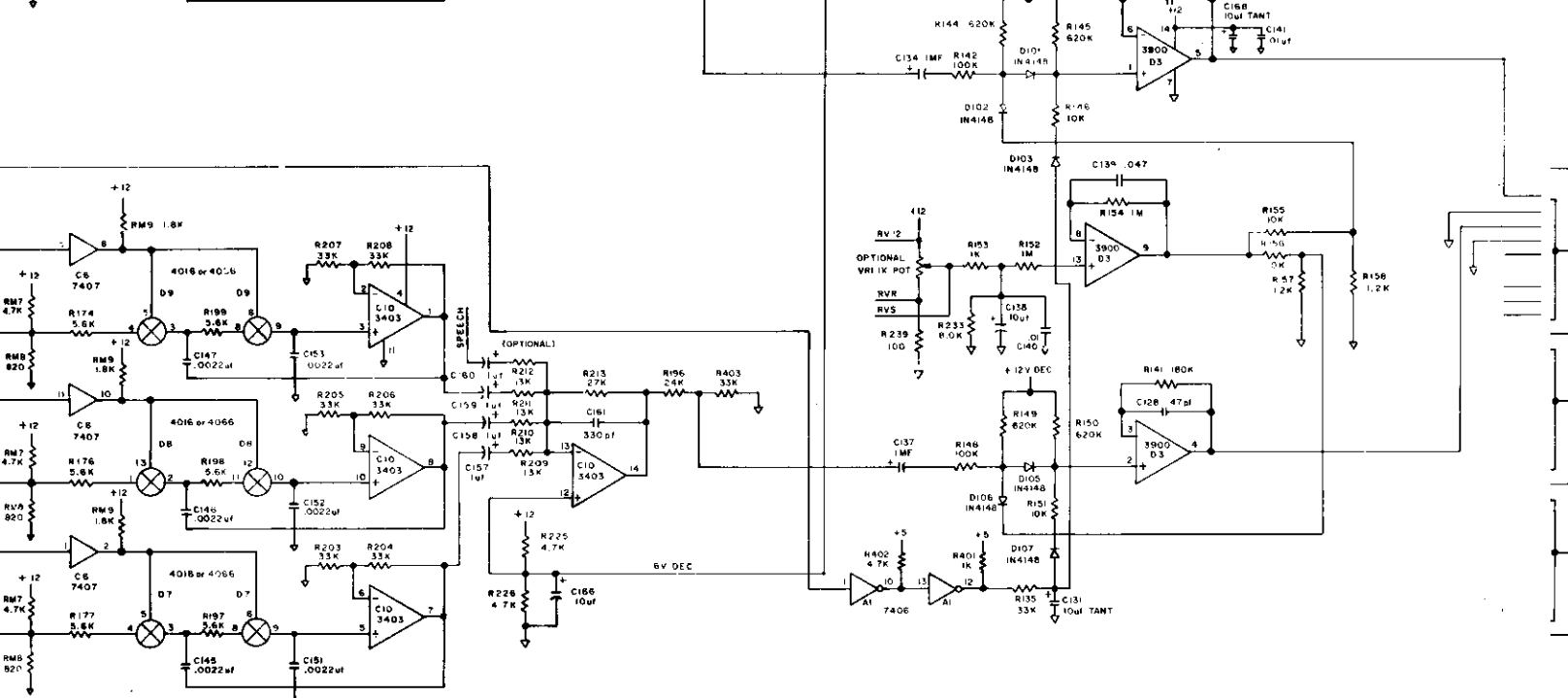
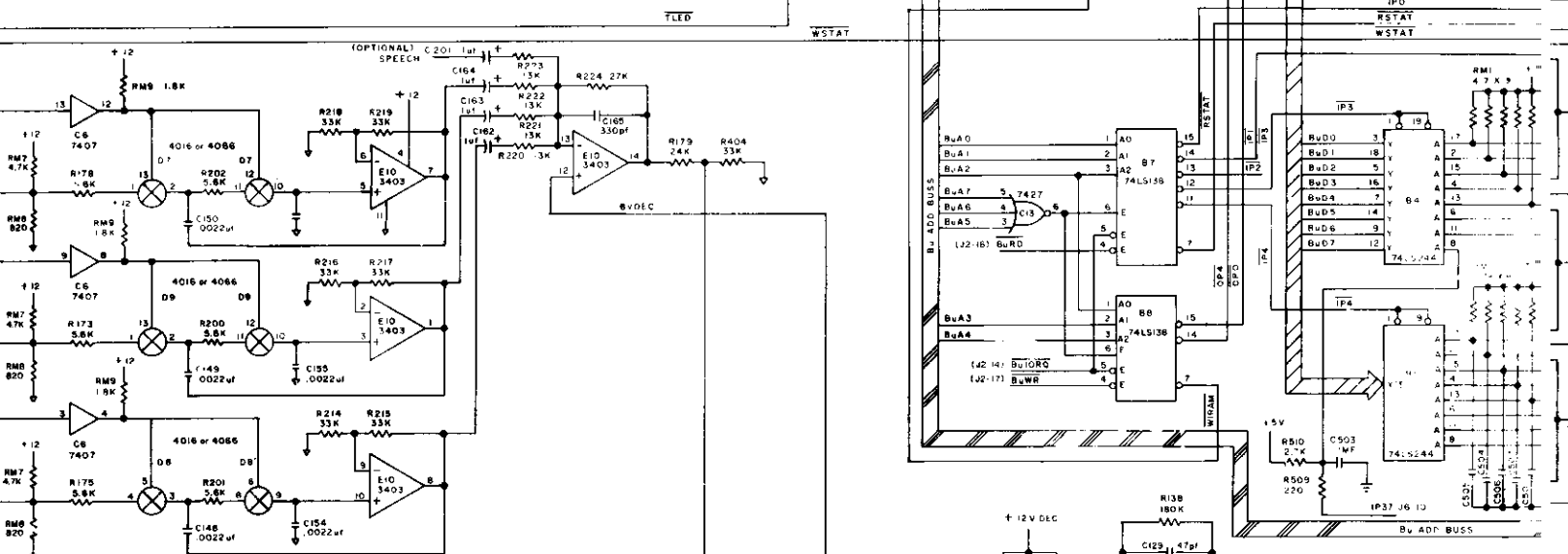
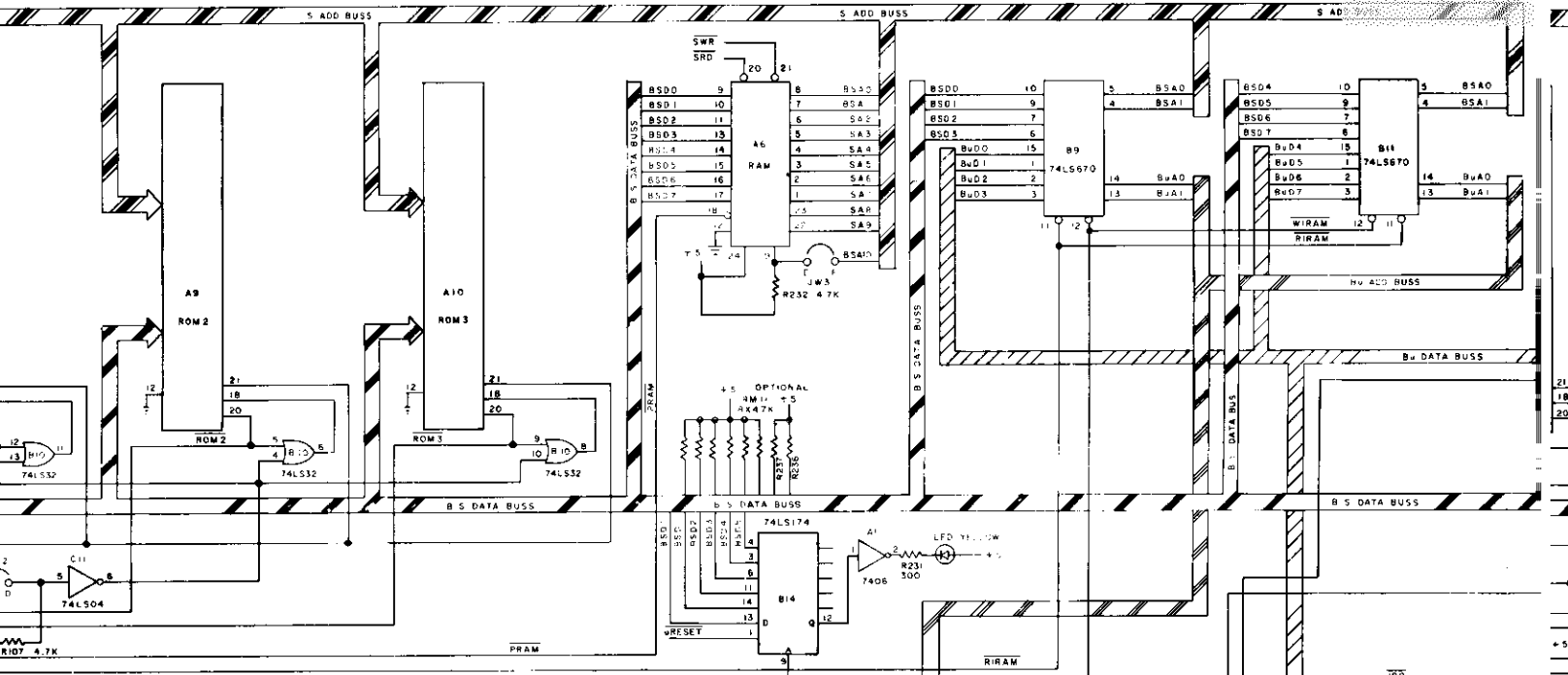
<u>DESCRIPTION</u>	<u>QTY</u>	<u>DESIGNATION NO.</u>	<u>PART NOS.</u>
CAP 100PF	8	C301-C308	0986-00800-1000
CAP .01MF	75	C101,CP1-CP71, CP89,CP90,CP91	0986-00800-2500
CAP 10MF	15	CP73-CP85,CP87, CP88	0986-00800-2400
CAP 100MF	2	CP72,CP86	0986-00800-1800
82 OHM 1/4 W RES.	2	R201,R202	100E-00005-0031
100 OHM 1/4 W RES.	1	R200	100E-00005-0033
1K OHM 1/4 W RES.	21	R101-R111,R113- R121,R203	100E-00005-0061
560 OHM 1/4W RES.	2	R122,R123	100E-00005-0054
8 PIN SIP 82 OHM	1	RM1	102E-00004-0035
9 PIN SIP 1K OHM	4	RM4-RM7	102E-00004-0011
10 PIN SIP 1K OHM	2	RM2,RM3	102E-00004-0013
74S00	1	4F	0304-00803-0047
74LS00	2	5C,8E	0304-00803-0010
74S04	2	13A,10E	0304-00803-0011
74LS04	1	6C	0304-00803-0012
74S08	1	3G	0304-00803-0037
74LS10	1	9G	0304-00803-0014
7420	4	1D,4D,11H,12H	0304-00803-0015
74LS30	3	8C,4G,5G	0304-00803-0016
74LS32	2	5F,1H	0304-00803-0017
74LS74	5	7C,1F,2F,1G,13H	0304-00803-0018
74S86	1	2H	0304-00803-0049
74LS86	2	9A,10A	0304-00803-0019
74S133	1	13C	0304-00803-0020
74LS157	8	3F,9F,10F,12F,13F, 10G,12G,13G	0304-00803-0021
74S161	1	9E	0304-00803-0038
74LS161	1	9B	0304-00803-0022
74LS169	4	9C-12C	0304-00803-0023
74LS174	4	11A,10B,11B,8G	0304-00803-0024
74LS175	1	8F	0304-00803-0025
74LS194	8	1B-8B	0304-00803-0026
74LS240	2	7E,3H	0304-00803-0050
74LS245	1	13D	0304-00803-0027
74LS258	4	1C-4C,	0304-00803-0028
74LS273	1	12A	0304-00803-0029
74S283	2	12B,13B	0304-00803-0039
74LS283	2	7F,7G	0304-00803-0030
74LS374	6	1E-6E	0304-00803-0031
93422	4	7D-10D	0304-00803-0032
93479	4	2D,3D,5D,6D	0304-00803-0033
STAT. RAM	1	12D	0304-00803-0034
EPROM KIT	8	IC1A-8A	SEE NOTE
28 PIN SOCKET	8	ICS 1A-8A	0986-00804-0300
22 PIN SOCKET	8	ICS 2D,3D,5D,6D, 7D-10D	0986-00804-0700
24 PIN SOCKET	1	ICS 12D	0986-00804-1600
KK100 RT. ANGLE 24 PIN CONN.	3	J5,J6,J7	0986-00804-4700
JUMPER WIRE	2	JW1, JW2	0986-00805-0200
MCR III SUPER VIDEO GEN.			A082-91464-L000

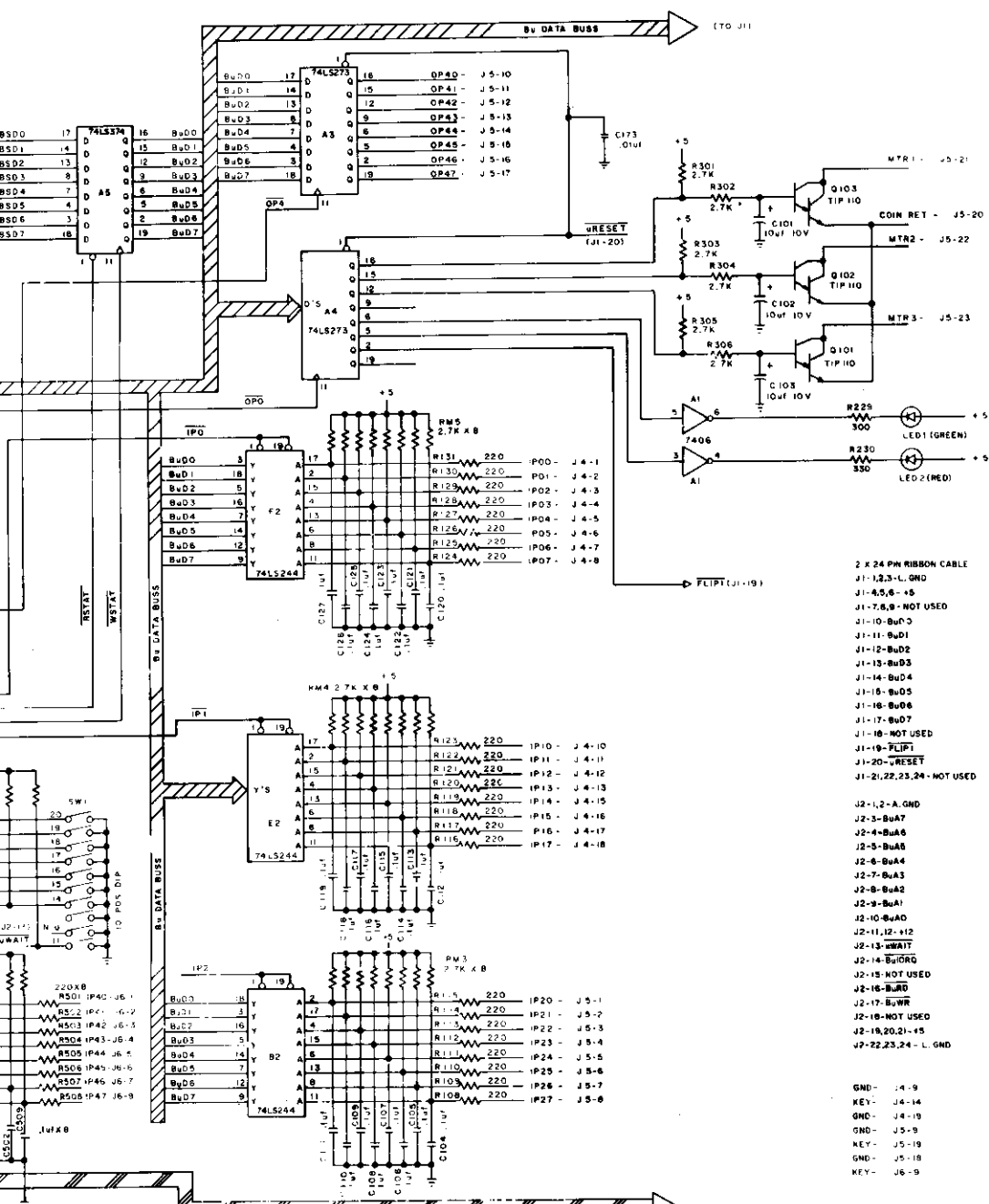
NOTE: ROM PART NUMBERS  
AT BACK OF CATALOG.

REVISIONS			

PROJECT ENG: R. PLOUSSARD		USED ON		<i>Bally</i> / MIDWAY MFG. CO. FRANKLIN PK ILL
DO NOT SCALE DWG	HEAT TREAT	SCALE FULL	NO. REQ'D   PER	
DIM TOLERANCES UNLESS SPECIFIED	DRW. <i>TRB</i>	SUPER VIDEO GEN. MCR III ASSY DWG		PART NO.
CONCENTRICITY ± 0.005	CHKD.	A082-91464-L000		M051-00304-L005
PERF. ± 0.005	DATE 12/19/83			
ORIGINAL ± 0.002				







- 2 X 24 PIN RIBBON CABLE
- J1-12,3-L.GND
  - J1-6,5,6-+5
  - J1-7,8,9-NOT USED
  - J1-10-BuD2
  - J1-11-BuD1
  - J1-12-BuD2
  - J1-13-BuD3
  - J1-14-BuD4
  - J1-15-BuD5
  - J1-16-BuD6
  - J1-17-BuD7
  - J1-18-NOT USED
  - J1-19-FLIP1
  - J1-20-RESET
  - J1-21,22,23,24-NOT USED
- J2-1,2-A.GND
- J2-3-BuA7
  - J2-4-BuA6
  - J2-5-BuA8
  - J2-6-BuA4
  - J2-7-BuA3
  - J2-8-BuA2
  - J2-9-BuA1
  - J2-10-BuA0
  - J2-11,12-+12
  - J2-13-SWRT
  - J2-14-SWORG
  - J2-15-NOT USED
  - J2-16-SWRD
  - J2-17-SWR
  - J2-18-NOT USED
  - J2-19,20,21-+5
  - J2-22,23,24-L.GND
- GND- J4-9
- KEY- J4-14
  - GND- J4-19
  - GND- J5-9
  - KEY- J5-19
  - GND- J5-18
  - KEY- J6-9

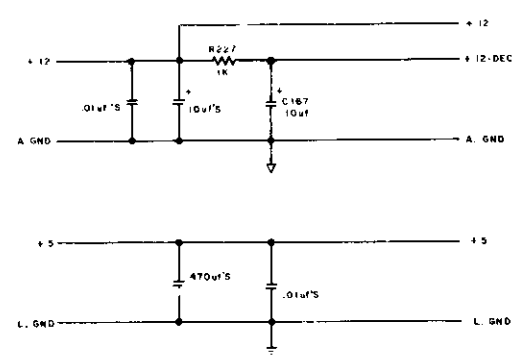
- 72 PIN TEST CONN
- 1-L.GND
  - 2-+5
  - 3-L.GND
  - 4-+5
  - 5-+12
  - 6-A.GND
  - 7-+12
  - 8-NCT USED
  - 9-BuD0
  - 10-BuD1
  - 11-BuD2
  - 12-BuD3
  - 13-BuD4
  - 14-BuD5
  - 15-BuD6
  - 16-BuD7
  - 17-S00
  - 18-S01
  - 19-S02
  - 20-S03
  - 21-S04
  - 22-S05
  - 23-S06
  - 24-S07
  - 25-BuA0
  - 26-BuA1
  - 27-BuA2
  - 28-BuA3
  - 29-BuA4
  - 30-BuA5
  - 31-BuA6
  - 32-BuA7
  - 33-SA0
  - 34-SA1
  - 35-SA2
  - 36-SA3
  - 37-SA4
  - 38-SA5
  - 39-SA6
  - 40-SA7
  - 41-SA8
  - 42-SA9
  - 43-SA10
  - 44-SA11
  - 45-SA12
  - 46-SA13
  - 47-SA14
  - 48-SA15
  - 49-SM1
  - 50-SM2
  - 51-SM3
  - 52-SBUSACK
  - 53-BuRD
  - 54-BuWR
  - 55-RESET
  - 56-T8
  - 57-CLKCTL
  - 58-SND
  - 59-SWR
  - 60-SWRG
  - 61-BuORG
  - 62-SWREG
  - 63-SWSP
  - 64-SWSP
  - 65-L.GND
  - 66-SWRT
  - 67-L.GND
  - 68-SWKEY
  - 69-NOT USED
  - 70-+5
  - 71-L.GND
  - 72-+5

\* USED ON VERSION W/PANNING  
 NOT USED ON VERSION W/PANNING

\*\* NOT USED ON VERSION W/PANNING  
 USED ON VERSION W/PANNING

NOTE  
 ROM JUMPER OPTIONS

EPROM/ROM	JW1	JW2
2532 COMPATIBILITY		X
2732 COMPATIBILITY	X	



PRODUCT ENG. J. JARON		REV. 1	DATE	USED ON	NO. REQS.	1 PER	REVISIONS
DATE	12/16/83						
SCHEMATIC DRAWING SUPER SOUND I/O A080-90915 G00							PART NO. M051-00986-G016



DESIGNATION LIST

<u>DESIGNATION NO.</u>	<u>DESCRIPTION</u>	<u>DESIGNATION NO.</u>	<u>DESCRIPTION</u>	<u>DESIGNATION NO.</u>	<u>DESCRIPTION</u>
D101-C103	10 MF 25V AX. TANT.	R152	1MEG. OHM 1/4W 5X CRBN.	D101-D103 D105-D107	1N4148 1N4148
D104-C127	.1 MF 50V AX. CER.	R153	1K OHM 1/4W 5X CRBN.	Q101-Q103 Q104	T1P110 2N4403
D128, C129 D131	47 PF 50V AX. CER. 10 MF 25V AX. TANT.	R154	1MEG. OHM 1/4W 5X CRBN.	IC1A	7406
D134-C137 D138	1 MF 20V AX. TANT. 10 MF 25V AX. TANT.	R155,R156	10K OHM 1/4W 5X CRBN.	IC3A,4A	74LS273
D139	.047 MF 100V MYLAR	R157,R158	1.2K OHM 1/4W 5X CRBN.	IC5A	74LS374
D140	.01 MF 50V AX. CER.	R160,R161	330 OHM 1/4W 5X CRBN.	IC6A	1K X 8 RAM
D142	100 PF 50V AX. CER.	R162	220 OHM 1/4W 5X CRBN.	IC7A	ROM/EPROM 0
D143	.1 MF 50V AX. CER.	R163	1.2K OHM 1/4W 5X CRBN.	IC8A	ROM/EPROM 1
D144	33 PF 50V AX. CER.	R164	22 OHM 1/4W 5X CRBN.	IC9A	ROM/EPROM 2
D145-C156	.0022 MF 100V 10X MYLAR	R165,R166	4.7K OHM 1/4W 5X CRBN.	IC10A	ROM/EPROM 3
D157-C159 D160	1 MF 20V AX. TANT. 330 PF 50V AX. CER.	R173-R178	5.6K OHM 1/4W 5X CRBN.	IC11A	74LS245
D162-C164 D165	1 MF 20V AX. TANT. 330 PF 50V AX. CER.	R179	24K OHM 1/4W 5X CRBN.	IC12A	Z-80 CPU
D166-C167	10 MF 25V AX. TANT.	R196	24K OHM 1/4W 5X CRBN.	IC13A	74LS08
D172	10 MF 25V AX. TANT.	R197-R202	5.6K OHM 1/4W 5X CRBN.	IC2B,4B,5B	74LS244
D173	.01 MF 50V AX. CER.	R203-R208	33K OHM 1/4W 5X CRBN.	IC7B,8B	74LS138
D181-C509	.1 MF 50V AX. CER.	R209-R211	13K OHM 1/4W 5X CRBN.	IC9B	74LS670
CP1	470 MF 16V AX. ELECT.	R213	27K OHM 1/4W 5X CRBN.	IC10B	74LS32
CP2-CP12	.01 MF 50V AX. CER.	R214-R219	33K OHM 1/4W 5X CRBN.	IC11B	74LS670
CP13	470 MF 16V AX. ELECT.	R220-R222	13K OHM 1/4W 5X CRBN.	IC12B,13B	74LS138
CP14-CP19	.01 MF 50V AX. CER.	R224	27K OHM 1/4W 5X CRBN.	IC14B	74LS174
CP20	10 MF 25V AX. TANT.	R225,R226	4.7K OHM 1/4W 5X CRBN.	IC6C	7407
CP21-CP27	.01 MF 50V AX. CER.	R227	1K OHM 1/4W 5X CRBN.	IC10C	MC3403
CP29-CP33	.01 MF 50V AX. CER.	R228	4.7K OHM 1/4W 5X CRBN.	IC11C	74LS403
CP34	10 MF 25V AX. TANT.	R231	300 OHM 1/4W 5X CRBN.	IC12C	74LS024
CP35-CP46	.01 MF 50V AX. CER.	R232	4.7K OHM 1/4W 5X CRBN.	IC13C	7427
CP47	470 MF 16V AX. ELECT.	R233	3K OHM 1/4W 5X CRBN.	IC14C	74LS367
CP48-CP51	.01 MF 50V AX. CER.	R234,R235	4.7K OHM 1/4W 5X CRBN.	IC3D	LM3900
CP52,CP53	10 MF 25V AX. TANT.	R239	100 OHM 1/4W 5X CRBN.	IC6D	74LS02
CP54	470 MF 16V AX. ELECT.	R301-R306	2.7K OHM 1/4W 5X CRBN.	IC7D-9D	MC14016
CP202-CP204	10 MF 25V AX. TANT.	R401	1K OHM 1/4W 5X CRBN.	IC11D	74190
R101-R107	4.7K OHM 1/4W 5X CRBN.	R402	4.7K OHM 1/4W 5X CRBN.	IC12D	PROMSB2A
R108-R131	220 OHM 1/4W 5X CRBN.	R403,R404	33K OHM 1/4W 5X CRBN.	IC13D	74166
R133	33K OHM 1/4W 5X CRBN.	R405-R407	4.7K OHM 1/4W 5X CRBN.	IC2E	74LS244
R138,R141	180K OHM 1/4W 5X CRBN.	R501-R509	220 OHM 1/4W 5X CRBN.	IC10E	MC3403
R142	100K OHM 1/4W 5X CRBN.	R510	2.7K OHM 1/4W 5X CRBN.	IC11E	74161
R144,R145	620K OHM 1/4W 5X CRBN.	RM1	4.7K OHM 10 PIN S.I.P.	IC12E	74126
R146	10K OHM 1/4W 5X CRBN.	RM2-RM5	2.7K OHM 10 PIN S.I.P.	IC2F	74LS244
R148	100K OHM 1/4W 5X CRBN.	RM7	4.7K OHM 8 PIN S.I.P.	IC3F-5F	74LS191
R149,R150	620K OHM 1/4W 5X CRBN.	RM8	820 OHM 8 PIN S.I.P.	IC6F,7F	AY-3-8910
R151	10K OHM 1/4W 5X CRBN.	RM9	1.8K OHM 10 PIN S.I.P.	IC8F-10F	74LS191
		RM14	4.7K OHM 10 PIN S.I.P.	IC11F	7474
				IC12F	74S04
				ICS6A-ICS10A	24 PIN IC SOCKET
				ICS12A	40 PIN IC SOCKET
				ICS12D	16 PIN IC SOCKET
				ICS6F,7F	40 PIN IC SOCKET
				J1,J2	24 PIN KK100 RT. ANGLE
				J3	9 PIN KK100 RT. ANGLE OMIT 4
				J4	19 PIN KK100 RT. ANGLE OMIT 14
				J5	23 PIN KK100 RT. ANGLE OMIT 19
				J6	10 PIN KK100 RT. ANGLE OMIT 8
				JW1,JW2	JUMPER WIRE
				LED 3	YELLOW LED
				SW1	10 POSITION DIP
				SW3	8 POSITION DIP
				SW4	PUSHBUTTON S.W.
				XTAL 1	16 MHZ XTAL
				MHQ101-MHQ103	SNAP
				A080-90913-6000	SUPER SND. I/O BD.

**DESCRIPTION**

33 PF 50V 5X AX. CER.  
 47 PF 50V AX. CER.  
 100 PF 50V 5X AX. CER.  
 330 PF 50V AX. CER.  
 .0022 MF 100V 10X MYLAR  
 .047 MF 100V MYLAR  
 .01 MF 50V AX. CER.

.1 MF 50V AX. CER.  
 1 MF 20V AX. TANT.  
 10 MF 25V AX. TANT.

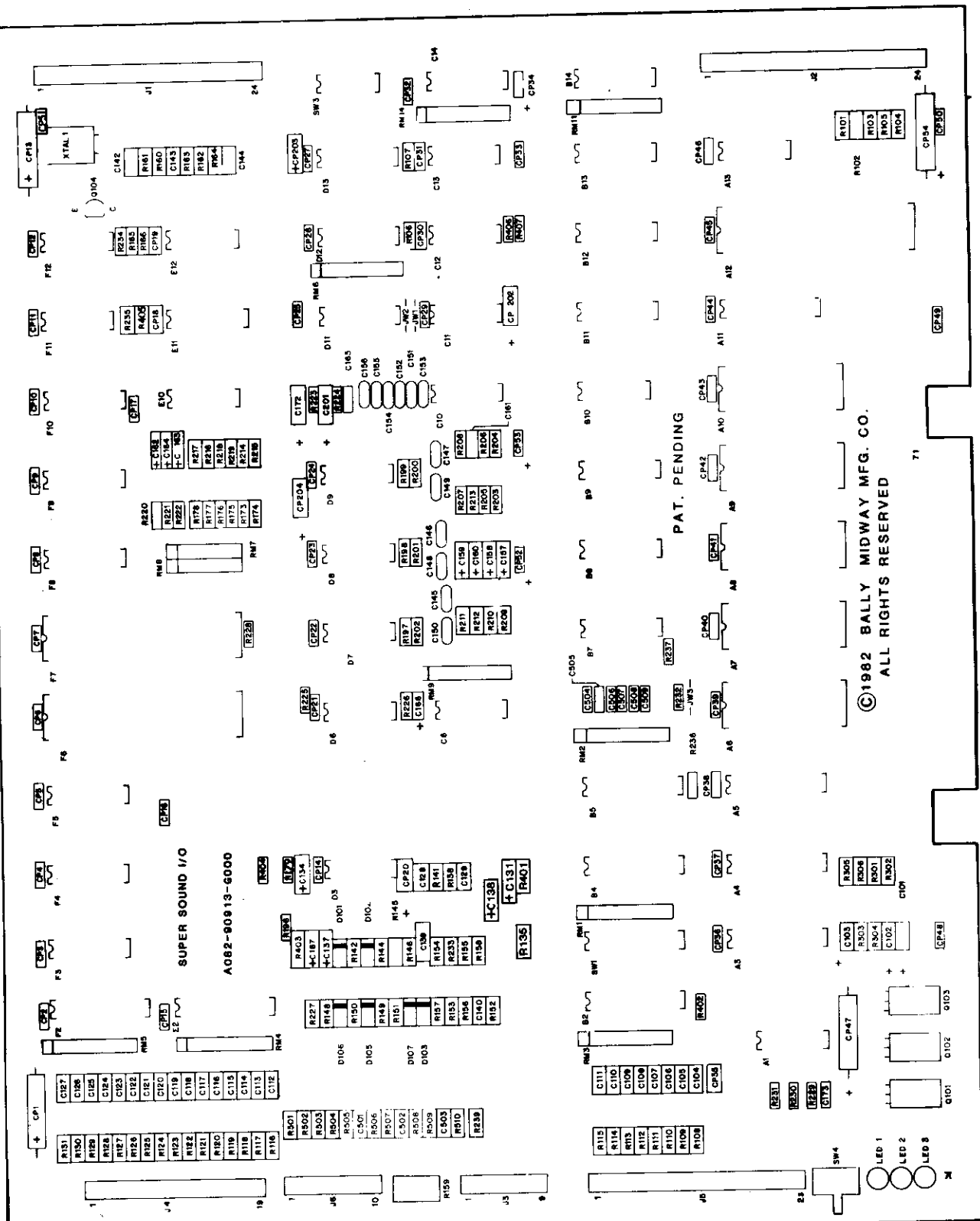
470 MF 16V AX. ELECT.

22 OHM 1/4W 5X CRBN.  
 100 OHM 1/4W 5X CRBN.  
 220 OHM 1/4W 5X CRBN.  
 300 OHM 1/4W 5X CRBN.  
 330 OHM 1/4W 5X CRBN.  
 1K OHM 1/4W 5X CRBN.  
 1.2K OHM 1/4W 5X CRBN.  
 2.7K OHM 1/4W 5X CRBN.  
 3K OHM 1/4W 5X CRBN.  
 4.7K OHM 1/4W 5X CRBN.

5.6K OHM 1/4W 5X CRBN.  
 10K OHM 1/4W 5X CRBN.  
 13K OHM 1/4W 5X CRBN.  
 24K OHM 1/4W 5X CRBN.  
 27K OHM 1/4W 5X CRBN.  
 33K OHM 1/4W 5X CRBN.

100K OHM 1/4W 5X CRBN.  
 180K OHM 1/4W 5X CRBN.  
 620K OHM 1/4W 5X CRBN.  
 1 MEG. OHM 1/4W 5X CRBN.

820 OHM 8 PIN S.I.P.  
 1.8K OHM 10 PIN S.I.P.  
 2.7K OHM 10 PIN S.I.P.  
 4.7K OHM 8 PIN S.I.P.  
 4.7K OHM 10 PIN S.I.P.



PAT. PENDING

©1982 BALLY MIDWAY MFG. CO.  
 ALL RIGHTS RESERVED

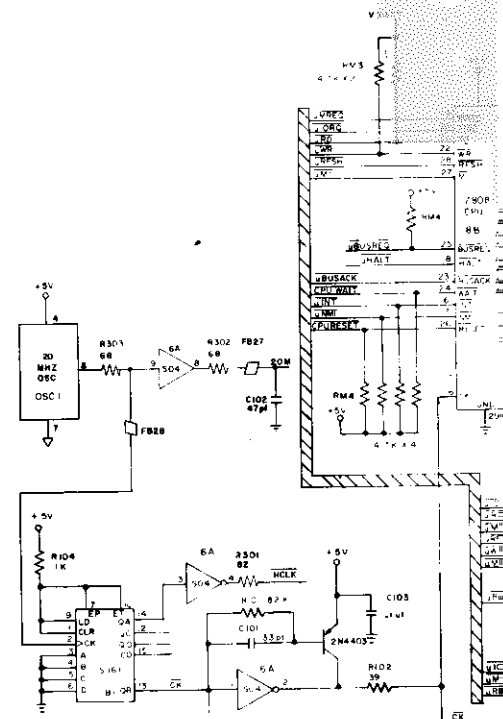
CROSS REFERENCE LIST

QTY	DESIGNATION NO.	PART NOS.	DESCRIPTION	QTY	DESIGNATION NO.	PART NOS.
1	C144	0986-00800-0300	1N4148	6	D101-D103, D105-D107	0986-00801-0200
2	C128, C129	0986-00800-2800	2N4403	1	Q104	0986-00802-0500
1	C142	0986-00800-1000	T1P110	3	Q101-Q103	0986-00802-0400
2	C161, C165	0986-00800-1300	74LS02	1	IC 6D	0986-00803-7400
12	C145-C156	0986-00800-1200	74LS04	1	IC 11C	0986-00803-6900
1	C139	0986-00800-2600	74S04	1	IC 12F	0986-00803-6600
			7406	1	IC 1A	0986-00803-7600
			7407	1	IC 6C	0986-00803-5900
47	CP2-CP12, CP14-CP19, CP21-CP27, CP29-CP33, CP35-CP46, CP48-CP51, C140, C173	0986-00800-2000	74LS08	1	IC 13A	0986-00803-7300
			7427	1	IC 13C	0986-00803-7200
			74LS32	1	IC 10B	0986-00803-6100
			7474	1	IC 11F	0986-00803-6700
			74126	1	IC 12E	0986-00803-6800
34	C104-C127, C143, C501-C509	0986-00800-1100	74LS138	4	IC78, 88, 12B, 13B	0986-00803-6500
8	C134, C137, C157-C159, C162-C164	0986-00800-1400	74161	1	IC 11E	0986-00803-5100
			74166	1	IC 13D	0986-00803-5300
15	CP20, CP34, CP52, CP53, CP202-CP204, C101-C103, C131, C138, C166, C167, C172	0986-00800-0700	74LS174	1	IC 14B	0986-00803-7500
			74190	1	IC 11D	0986-00803-9400
			74LS191	6	IC3F-5F, 8F-10F	0986-00803-5600
4	CP1, CP13, CP47, CP54	0986-00800-2700	74LS244	5	IC2B, 4B, 5B, 2E, 2F	0986-00803-4800
			74LS245	1	IC 11A	0986-00803-6400
			74LS273	2	IC3A, 4A	0986-00803-4700
1	R164	0062-063B3-1XXX	74LS367	1	IC 14C	0986-00803-7000
			74LS374	1	IC 5A	0986-00803-4600
1	R239	0062-110B3-1XXX	74LS670	2	IC9B, 11B	0986-00803-6300
			AY-3-8910	2	IC6F, 7F	0986-00803-8500
34	R108-R131, R162, R501-R509	0062-133B3-1XXX	LM3900	1	IC 3D	0986-00803-4900
1	R231	0062-141B3-1XXX	MC3403	2	IC10C, 10E	0986-00803-5000
			MC14016	3	IC7D-9D	0986-00803-6200
2	R160, R161	0062-144B3-1XXX	MC14024	1	IC 12C	0986-00803-7100
			PROMSB2-A	1	IC 12D	0986-00803-8200
3	R153, R227, R401	0062-179B3-1XXX	RAM 1K X 8	1	IC 6A	0986-00803-8000
			ROM/EPROM 0	1	IC 7A	
3	R157, R158, R163	0062-183B3-1XXX	ROM/EPROM 1	1	IC 8A	
			ROM/EPROM 2	1	IC 9A	
7	R301-R306, R510	0062-199B3-1XXX	ROM/EPROM 3	1	IC 10A	
			Z-80(3880)	1	IC 12A	0986-00803-5500
1	R233	0062-201B3-1XXX	16 PIN IC SOCKET	1	ICS 12D	0986-00804-1400
			24 PIN IC SOCKET	5	ICS6A-ICS10A	0986-00804-1600
19	R101-R107, R165, R166, R225, R226, R228, R232, R234, R235, R402, R405-R407	0062-211B3-1XXX	40 PIN IC SOCKET	3	ICS12A, ICS6F, ICS7F	0986-00804-1500
12	R173-R178, R197-R202	0062-215B3-1XXX	9 PIN KK 100 RT. ANGLE OMIT 4	1	J3	3000-16366-0901
4	R146, R151, R155, R156	0062-227B3-1XXX	10 PIN KK 100 RT. ANGLE OMIT 8	1	J6	3000-16366-1001
6	R209-R211, R220-R222	0062-233B3-1XXX	19 PIN KK 100 RT. ANGLE OMIT 14	1	J4	3000-16366-1901
2	R179, R196	0062-245B3-1XXX	23 PIN KK 100 RT. ANGLE OMIT 19	1	J5	3000-16366-2301
2	R213, R224	0062-247B3-1XXX	24 PIN KK 100 RT. ANGLE	2	J1, J2	0986-00804-4700
15	R135, R203-R208, R214-R219, R403, R404	0062-251B3-1XXX	JUMPER WIRE	2	JW1, JW2	0986-00804-4000
2	R142, R148	0062-275B3-1XXX	YELLOW LED	1	LED 3	0986-00804-2000
2	R138, R141	0062-287B3-1XXX	8 POSITION DIP SW.	1	SW3	0986-00805-0900
			10 POSITION DIP SW.	1	SW1	0986-00805-1000
4	R144, R145, R149, R150	0062-313B3-1XXX	PB SWITCH	1	SW4	0986-00804-1700
2	R152, R154	0062-323B3-1XXX	16 MHZ XTAL W/3RD LEAD	1	XTAL 1	0986-00805-1100
1	RM8	0986-00805-0800	SNAPS	3	MHQ101-MHQ103	0017-00007-0134
1	RM9	0986-00805-0600	SUPER SND. I/O BD.	1		A080-90913-6000
4	RM2-RM5	0986-00805-0500				
1	RM7	0986-00805-0400				
2	RM1, RM14	0986-00805-0300				

SEE NOTE

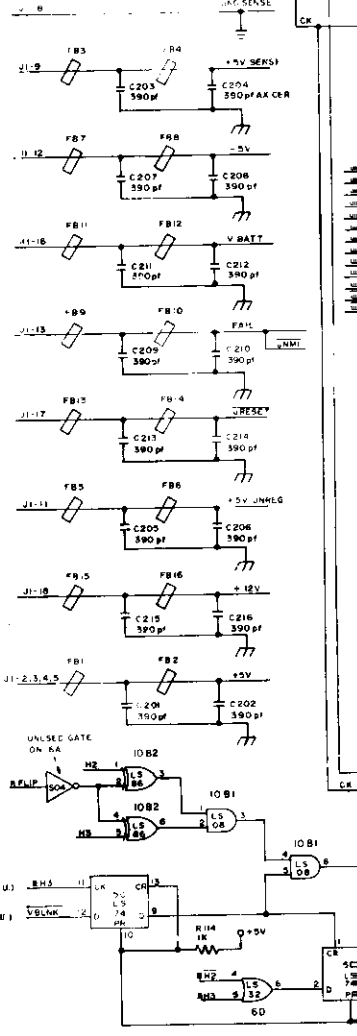
NOTE: ROM PART NUMBERS AT BACK OF CATALOG.

PROJECT ENG: C. MEDNICK		USED ON		REVISIONS	
DO NOT SCALE DWG		WEAT TREAT	SCALE	Bally / MIDWAY MFG. CO.	
			FULL	FRANKLIN PK ILL	
DIM TOLERANCES UNLESS SPECIFIED		DRAWN: RLW	NO. REQ'D	PART NO.	
		CHEK:	1 PER	M051 - 00986 - G015	
		DATE: 12/19/83			
			SUPER SOUND MO BD. ASSEMBLY		
			A082-90913		

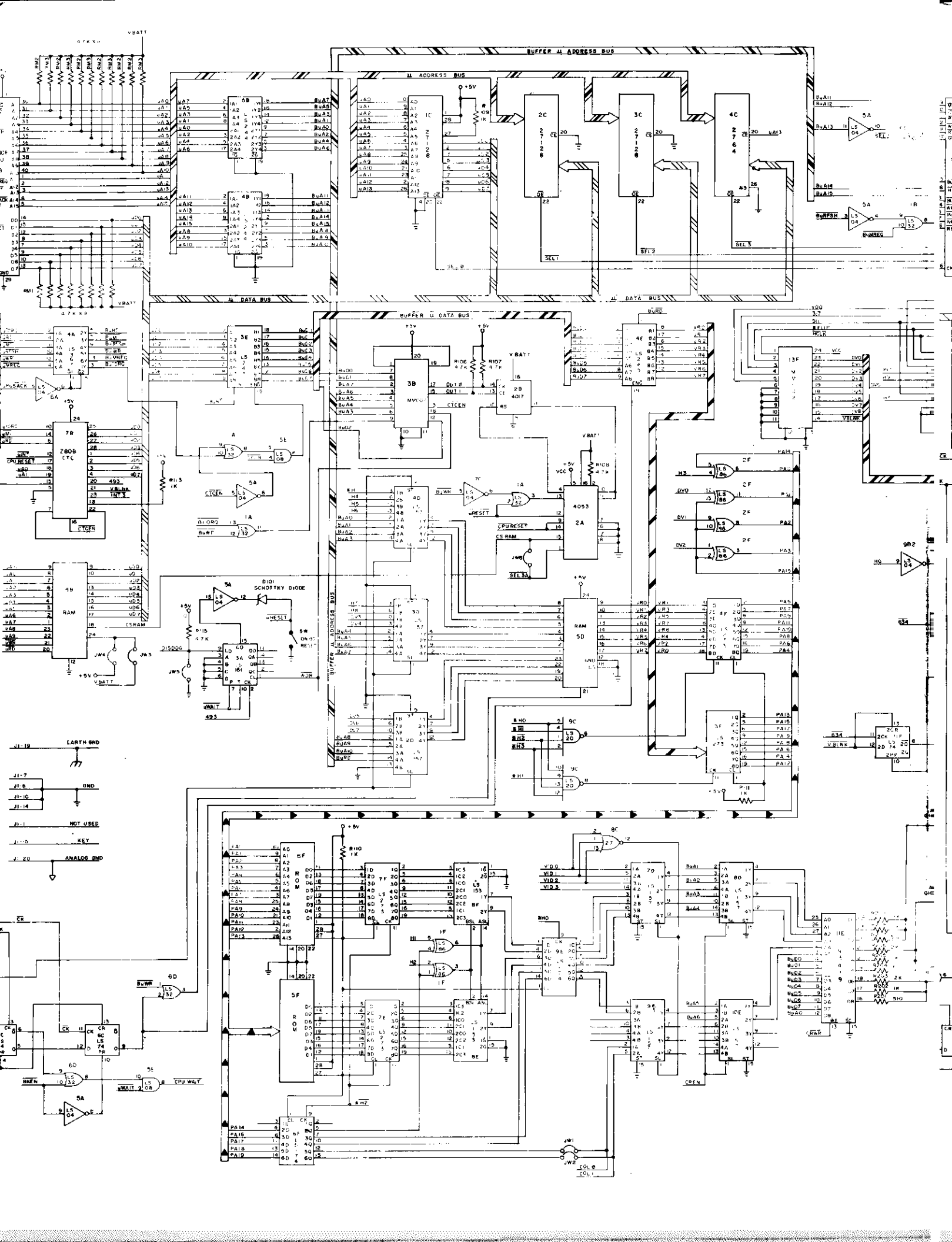


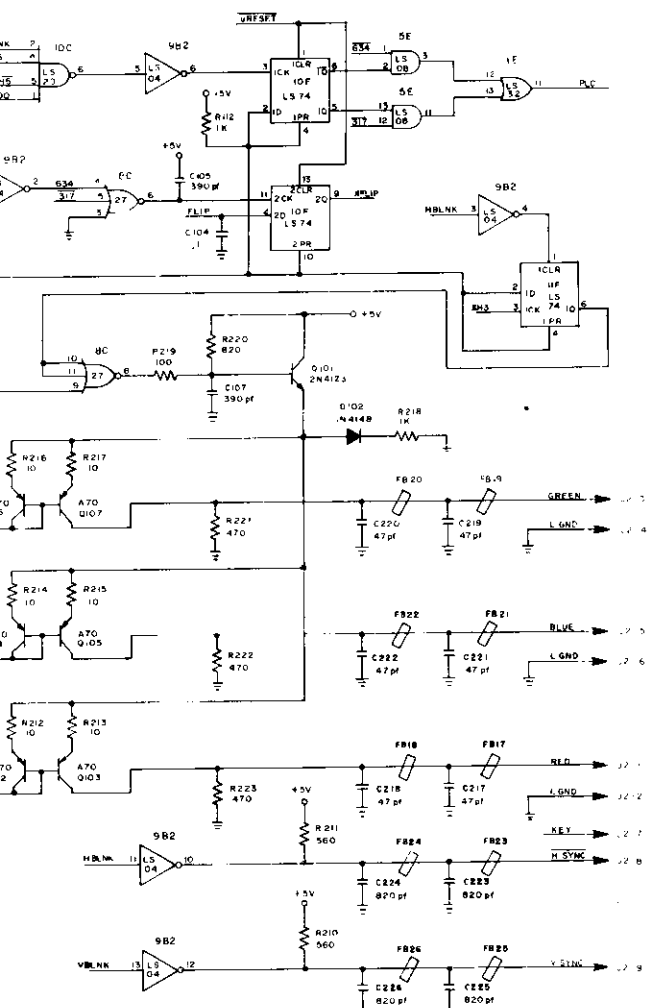
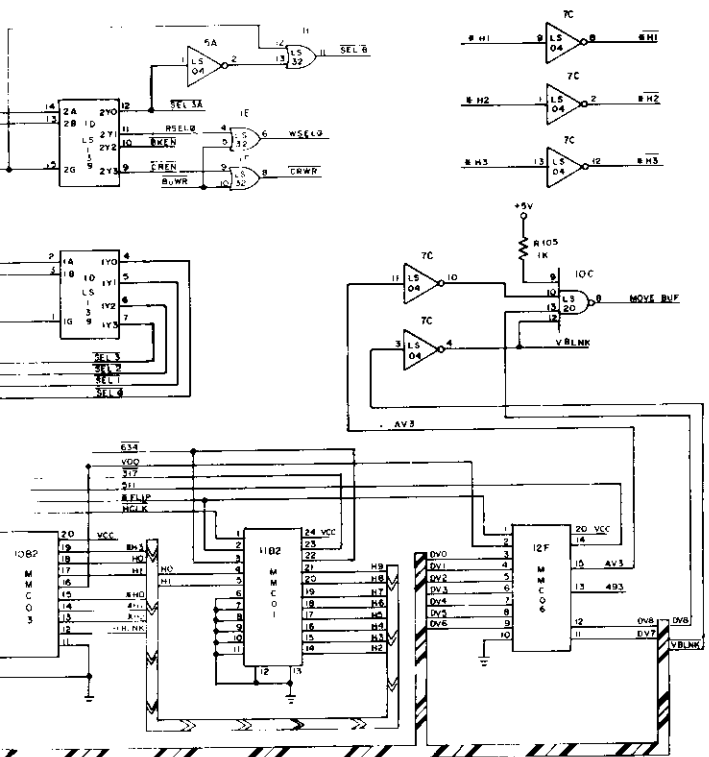
72 PIN TEST CONN

1	1 GND	1	1 GND
2	+5V	2	2 GND
3	1 GND	3	3 R407
4	+5V	4	4 R408
5	+12V	5	5 R405
6	N.L.	6	6 R404
7	+12V	7	7 R403
8	V BATT	8	8 R402
9	GND	9	9 R401
10	U01	10	10 R400
11	U02	11	11 V2W
12	U03	12	12 V2V
13	U04	13	13 U07E
14	U05	14	14 U07B
15	U06	15	15 U06
16	U07	16	16 U07
17	U10 0	17	17 U08
18	U10 1	18	18 N.F.
19	U10 2	19	19 +5V
20	U10 3	20	20 +5V
21	MOVESUP	21	21 +5V
22	R.C.	22	22 L GND
23	U01	23	23 L GND
24	R.C.	24	24 L GND
25	U01		
26	U02		
27	U03		
28	U04		
29	U05	1	1 L GND
30	U06	2	2 L GND
31	U07	3	3 L GND
32	U08	4	4 +5V
33	U09	5	5 +5V
34	U10	6	6 +5V
35	U11	7	7 N.F.
36	U12	8	8 N.F.
37	U13	9	9 N.F.
38	U14	10	10 N.F.
39	U15	11	11 RES10
40	U16	12	12 +5V SENSE
41	U17	13	13 FLIP
42	U18	14	14 MOVESUP
43	U19	15	15 A1A
44	U20	16	16 D10
45	U21	17	17 D11
46	U22	18	18 D12
47	U23	19	19 D13
48	U24	20	20 D14
49	U25	21	21 +5V
50	U26	22	22 D16
51	U27	23	23 D17
52	U28	24	24 D18
53	U29		
54	U30		
55	U31		
56	U32		
57	U33		
58	U34		
59	U35		
60	U36		
61	U37		
62	U38		
63	U39		
64	U40		
65	U41		
66	U42		
67	U43		
68	U44		
69	U45		
70	U46		
71	U47		
72	U48		



H2 } ALL ON  
H3 } CHIP 102  
A FLIP

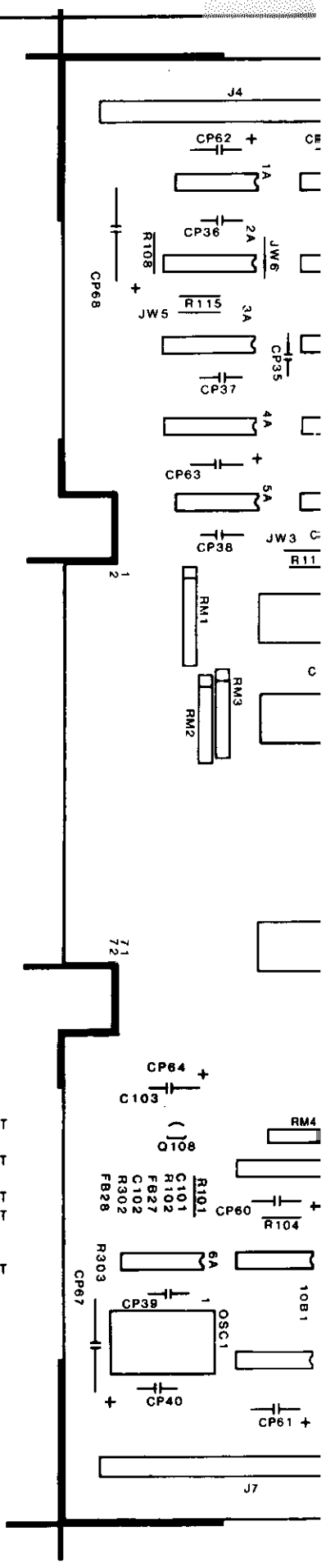


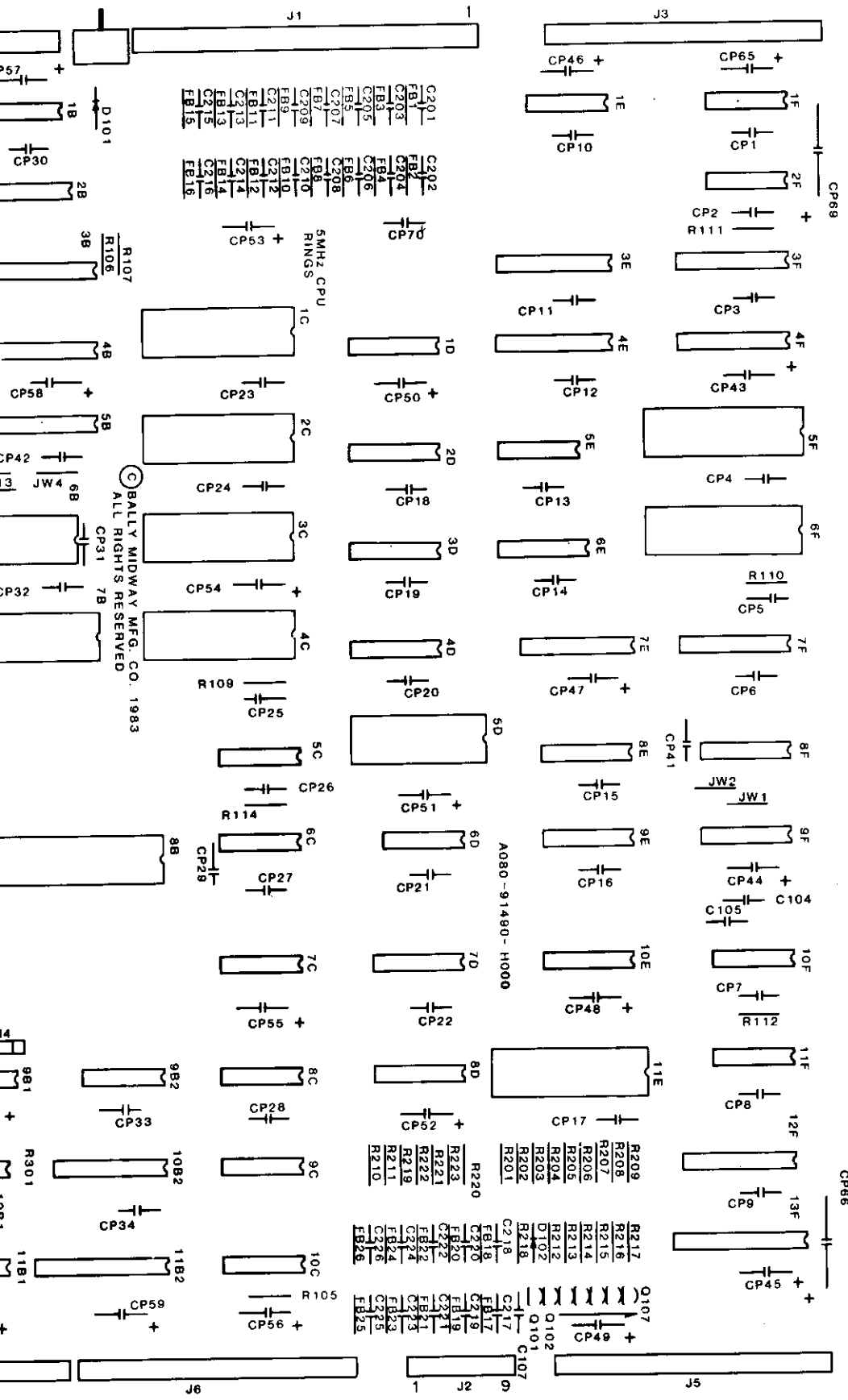


PROJECT		REVISED		USED ON		MIDWAY MFG. CO.	
R W FYAND		FULL		NO RECD L PER		PART NO	
5MHz CPU		SCHEMATIC DWG		A000-91490-0000		M051-00304-N010	
12/16/83							

DESIGNATION LIST

<u>DESIGNATION NO.</u>	<u>DESCRIPTION</u>	<u>DESIGNATION NO.</u>	<u>DESCRIPTION</u>
CP1-CP42	.01 MF AX. CER.	IC 4A	74LS367
CP43-CP65	10 MF 25V AX.	IC 5A	74LS04
	TANT.	IC 6A	74SD4
CP66-CP69	470 MF 16V AX.		
	ELECT.	IC 1B	74LS32
CP70	.01 MF AX. CER.	IC 2B	4017
C101	33 PF AX. CER.	IC 3B	MMCO7
C102	47 PF AX. CER.	IC 4B, IC 5B	74LS244
C103	.1 UF AX. CER.	IC 6B	NV RAM
C104	.1 UF AX. CER.	IC 7B	Z80B CTC
C105	390 PF AX. CER.	IC 8B	Z80B
C107	390 PF AX. CER.	IC 9B1	74S161
C201-C216	390 PF AX. CER.	IC 9B2	74LS04
C217-C222	47 PF AX. CER.	IC 10B1	74LS08
C223-C226	820 PF AX. CER.	IC 10B2	MMCO3
		IC 11B1	74LS86
R101	82K OHM 1/4W 5% CRBN.	IC 11B2	MMCO1
R102	39 OHM 1/4W 5% CRBN.	IC 1C, IC 2C,	EPROM
R104, R105	1K OHM 1/4W 5% CRBN.	IC 3C, IC 4C	
R106-R108	4.7K OHM 1/4W 5% CRBN.	IC 5C, IC 6C	74LS74
R109-R114	1K OHM 1/4W 5% CRBN.	IC 7C	74LS04
R115	4.7K OHM 1/4W 5% CRBN.	IC 8C	7427
R201	510 OHM 1/4W 5% CRBN.	IC 9C, IC 10C	74LS20
R202	1K OHM 1/4W 5% CRBN.	IC 1D	74LS139
R203	2K OHM 1/4W 5% CRBN.	IC 2D, IC 3D,	74LS157
R204	510 OHM 1/4W 5% CRBN.	IC 4D, IC 7D	
R205	1K OHM 1/4W 5% CRBN.	IC 8D	RAM
R206	2K OHM 1/4W 5% CRBN.	IC 5D	74LS32
R207	510 OHM 1/4W 5% CRBN.	IC 6D	
R208	1K OHM 1/4W 5% CRBN.	IC 1E	74LS32
R209	2K OHM 1/4W 5% CRBN.	IC 3E, IC 4E	74LS245
R210, R211	560 OHM 1/4W 5% CRBN.	IC 5E	74LS08
R212-R217	10 OHM 1/4W 5% CRBN.	IC 6E, IC 9E	74LS174
R218	1K OHM 1/4W 5% CRBN.	IC 7E	74LS273
R219	100 OHM 1/4W 5% CRBN.	IC 8E	74LS153
R220	820 OHM 1/4W 5% CRBN.	IC 10E	74LS157
R221-R223	470 OHM 1/4W 5% CRBN.	IC 11E	74LS74
R301	82 OHM 1/4W 5% CRBN	IC 1F, IC 2F	93419
R302, R303	68 OHM 1/4W 5% CRBN	IC 3F, IC 4F,	
RM1	4.7K OHM 9 PIN SIP	IC 7F	74LS86
RM2, RM3	4.7K OHM 8 PIN SIP	IC 5F, IC 6F	74LS273
RM4	4.7K OHM 6 PIN SIP	IC 8F	EPROM
D101	1N5817	IC 9F	74LS153
D102	1N4148	IC 10F, IC 11F	74LS157
Q101	2N4123	IC 12F	74LS74
Q102-Q107	A 70	IC 13F	74LS157
Q108	2N4403		MMCO6
OSC 1	20 MHZ + 0.1% OSCILLATOR	FB1-FB2B	MMCO2
IC 1A	74LS32	ICS 13FA,	FERRITE BEAD
IC 2A	4053	ICS 11B2A	8 PIN DIP SOCKET
IC 3A	74LS161	ICS 13FB,	16 PIN DIP SOCKET
		ICS 11B2B	20 PIN DIP SOCKET
		ICS 3B, ICS 10B2,	24 PIN DIP SOCKET
		ICS 12F	28 PIN DIP SOCKET
		ICS 6B, 5D	
		ICS 7B, ICS 1C-4C,	
		ICS 11E, ICS 5F,	
		ICS 6F	
		ICS 8B	40 PIN DIP SOCKET
		J1	20 PIN .156C CONN. OMIT 15
		J2	9 PIN .100C CONN. OMIT 3
		J3-J7	HEADER
		-	FLEX PACK JUMPERS
		JW1-JW6	JUMPERS
		SW1	PUSH BUTTON SW.
		A080-91490-H000	5 MHZ CPU BD.





DESCRIPTION	QTY	DESIG
33 PF 50V AX. CER.	1	C101
47 PF 50V AX. CER.	7	C102, C216
390 PF 50V AX. CER.	18	C105, C216
820 PF 50V AX. CER.	4	C223-
.01 MF 50V 20% AX. CER.	43	CP1-C
.1 MF 50V 20% AX. CER.	2	C103,
10 MF 25V 10% AX. TANT.	23	CP43-
470 MF 16V AX. ELECT.	4	CP66-
10 OHM 1/4W 5% CRBN.	6	R212-
39 OHM 1/4W 5% CRBN	1	R102
68 OHM 1/4W 5% CRBN	2	R302,
82 OHM 1/4W 5% CRBN	1	R301
100 OHM 1/4W 5% CRBN.	1	R219
470 OHM 1/4W 5% CRBN.	3	R221-
510 OHM 1/4W 5% CRBN.	3	R201,
560 OHM 1/4W 5% CRBN.	2	R210,
820 OHM 1/4W 5% CRBN.	1	R220
1K OHM 1/4W 5% CRBN.	12	R104,
2K OHM 1/4W 5% CRBN.	3	R114,
4.7K OHM 1/4W 5% CRBN.	4	R208,
82K OHM 1/4W 5% CRBN.	1	R203,
4.7K OHM 9 PIN SIP.	1	R106-
4.7K OHM 8 PIN SIP.	2	R101
4.7K OHM 6 PIN SIP.	1	RM1
1N5817	1	RM2, #
1N4148	1	RM4
2N4123	1	D101
A 70	6	D102
2N4403	1	Q101
		Q102-
		Q108
20 MHZ + 0.1% OSCILLATOR	1	OSC1
4017	1	IC 2E
4053	1	IC 2A
74LS04	3	IC 9E
74LS08	2	IC 1C
74LS20	2	IC 9B
7427	1	IC 8C




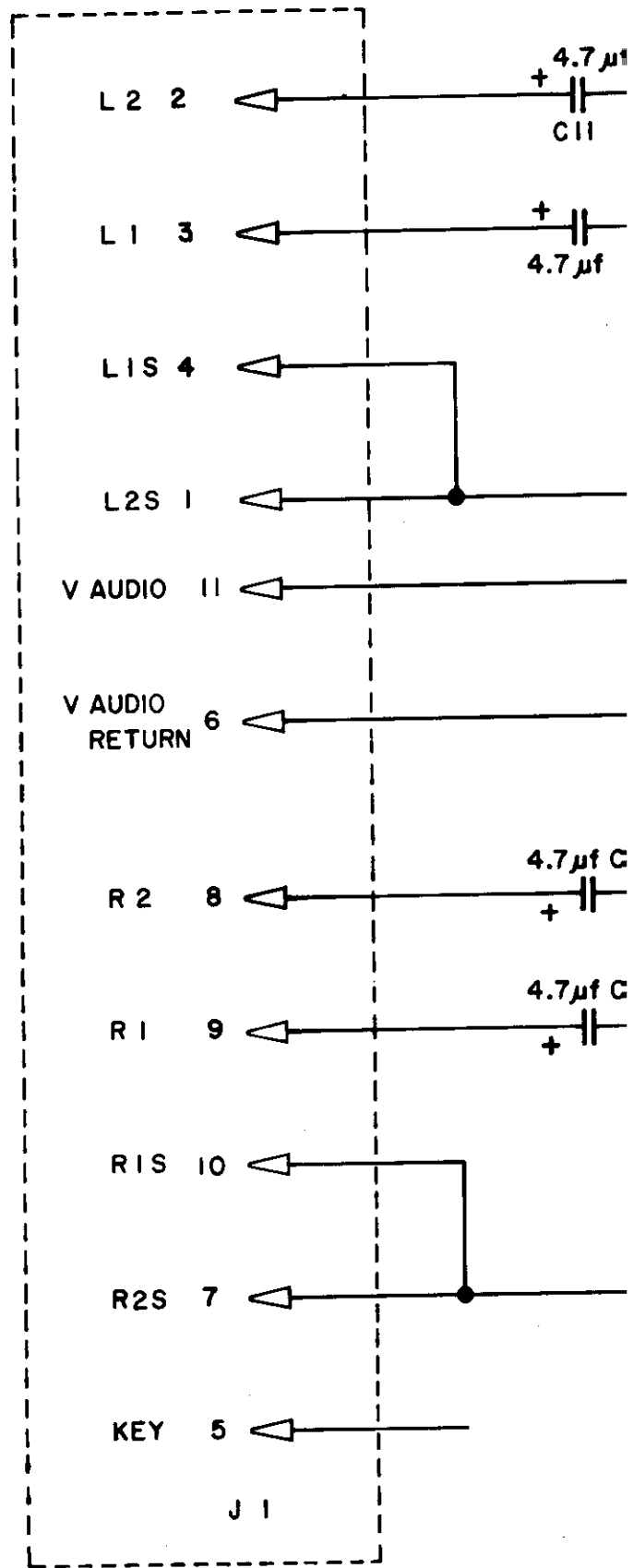
CROSS REFERENCE LIST

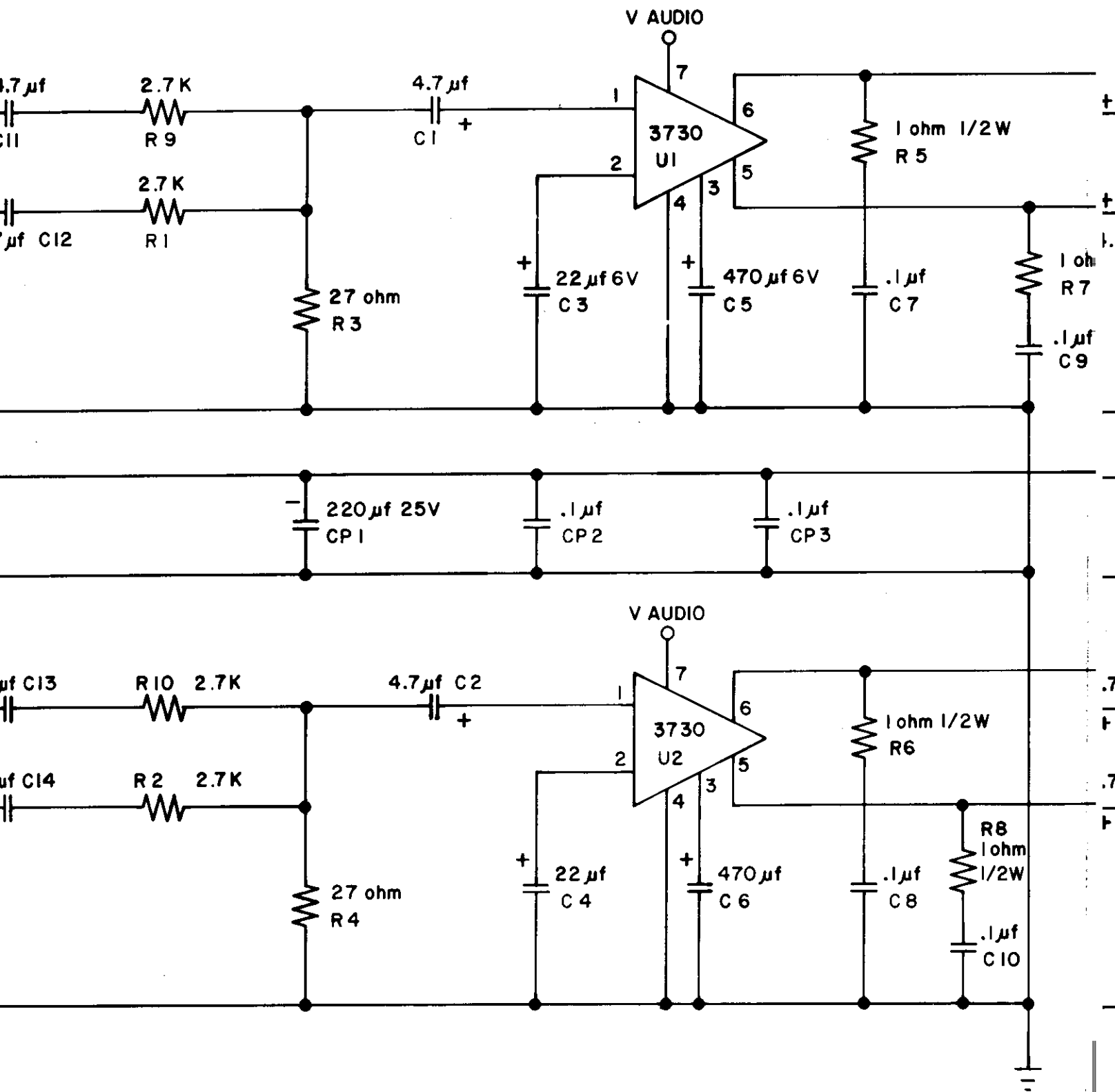
DESIGNATION NO.	PART NOS.	DESCRIPTION	QTY	DESIGNATION NO.	PART NOS.
1	0986-00800-0300	74LS32	4	IC 1A,1B,6D,1E	0986-00803-0600
2,C217-C222	0986-00800-2800	74LS74	4	IC 5C,6C,10F,11F	0986-00803-1005
5,C107,C201-	0986-00800-3000	74LS86	3	IC 11B1,1F,2F	0986-00803-9900
3-C226	0945-00816-0400	74LS139	1	IC 1D	0304-00803-0042
		74LS153	2	IC 8E,8F	0986-00803-1000
		74LS157	7	IC 2D,3D,4D,7D,8D	0986-00803-9700
				10E,9F	
		74LS161	1	IC 3A	0986-00803-1003
CP42,CP70	0986-00800-2200	74LS174	2	IC 6E,9E	0986-00803-9800
		74LS244	2	IC 4B,5B	0986-00803-0800
		74LS245	2	IC 3E,4E	0986-00803-0900
3,C104	0986-00800-0200	74LS273	4	IC 7E,3F,4F,7F	0986-00803-1001
		74LS367	1	IC 4A	0986-00803-2200
3-CP65	0986-00800-3400	74S04	1	IC 6A	0986-00803-0400
		74S161	1	IC 9B1	0304-00803-0038
3-CP69	0986-00800-3300	93419	1	IC 11E	0986-00803-9600
		EPROM	6	IC 1C,2C,3C,4C, 5F,6F	<b>SEE NOTE</b>
R217	100E-00005-0011	MMC01	1	IC 11B2	0986-00803-8900
		MMC02	1	IC 13F	0986-00803-9000
	100E-00005-0023	MMC03	1	IC 10B2	0986-00803-9100
2,R303	100E-00005-0029	MMC07	1	IC 3B	0986-00804-3200
	100E-00005-0031	NV RAM	1	IC 6B	0986-00803-8100
	100E-00005-0033	RAM	1	IC 5D	0986-00803-1008
		Z80B	1	IC 8B	0304-00803-0041
R223	100E-00005-0051	Z80B CTC	1	IC 7B	0304-00803-0040
		MMC06	1	IC 12F	0304-00803-9200
R204,R207	100E-00005-0053	FERRITE BEAD	28	FB1-FB28	0316-00804-0002
R211	100E-00005-0054	8 PIN DIP SOCKET	2	ICS 13FA, ICS 11B2A	0986-00804-3600
	100E-00005-0058	16 PIN DIP SOCKET	2	ICS 13FB, ICS 11B2B	0986-00804-3700
R105,R109- R202,R205, R218	100E-00005-0061	20 PIN DIP SOCKET	3	ICS 3B,ICS 10B2, ICS 12F	0986-00804-3800
R206,R209	100E-00005-0068	24 PIN DIP SOCKET	2	ICS 6B,ICS 5D	0986-00804-3400
		28 PIN DIP SOCKET	8	ICS 7B,ICS 1C-4C, ICS 11E,ICS 5F, ICS 6F	0986-00804-3900
R108,R115	100E-00005-0079	40 PIN DIP SOCKET	1	ICS 8B	0986-00804-3500
	100E-00005-0112	FMD. HDR. .100C OMIT 3	1	J2	3000-16366-0902
	102E-00004-0024	FMD. HDR. .156C OMIT 15	1	J1	3000-16387-2010
RM3	102E-00004-0025	HEADER	5	J3-J7	0986-00804-4700
	102E-00004-0027	FLEX PACK JUMPERS	5	-	0986-00804-4800
		JUMPERS	6	JW1-JW6	0986-00804-4000
	103E-00003-0009	PUSH BUTTON SW.	1	SW1	0986-00804-3100
	103E-00002-0005				
	104E-00001-0007	5 MHZ CPU BD.	1		A080-91490-H000
	104E-00002-0012				
	104E-00002-0006				
	0304-00804-0007				
	0986-00803-8700				
	0986-00803-2000				
2,7C,5A	0986-00803-1007				
B1,5E	0986-00803-1006				
10C	0986-00803-1004				
	0304-00803-0046				

**NOTE : ROM PARTS NUMBERS  
AT BACK OF CATALOG.**

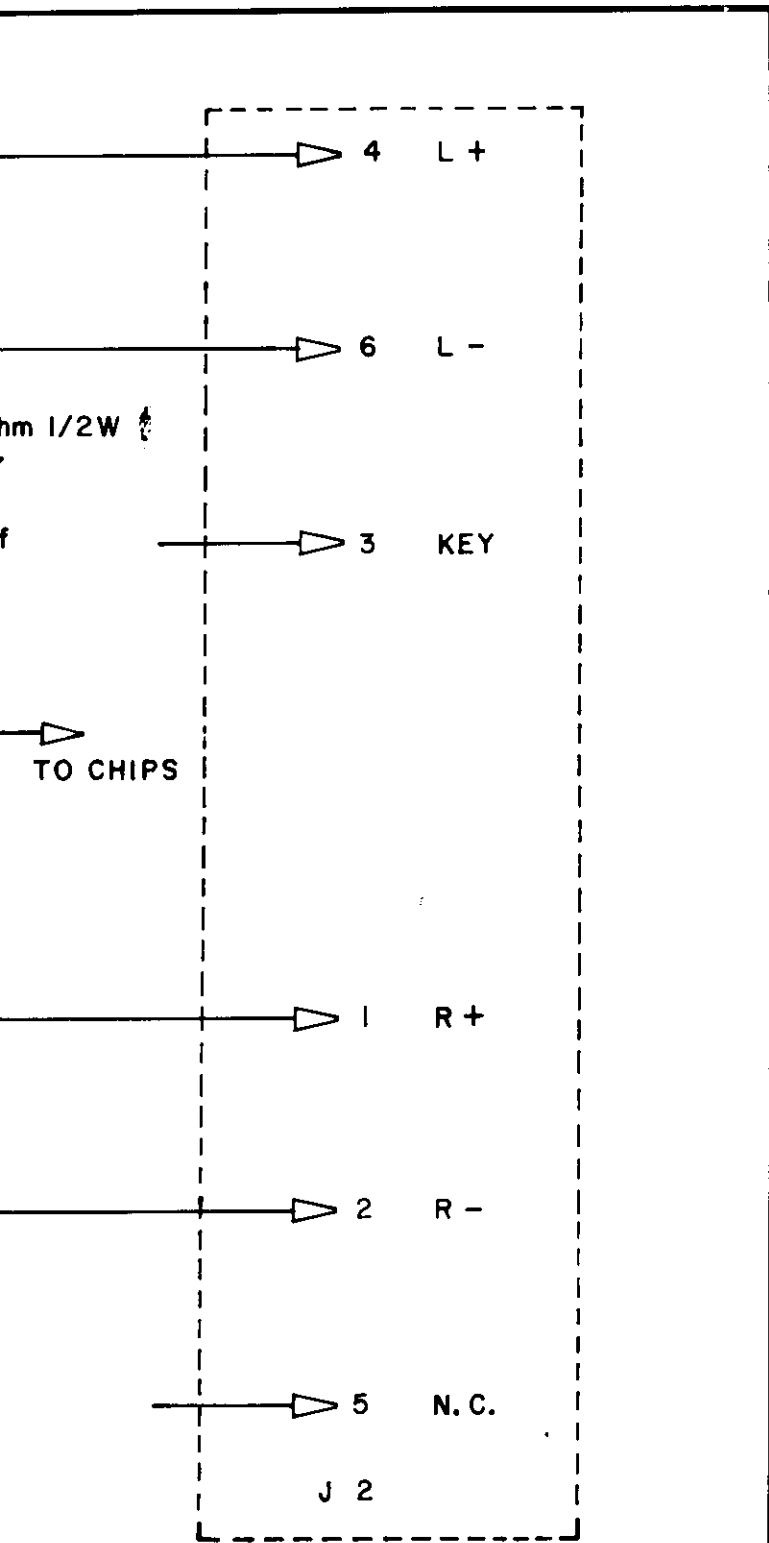
REVISIONS			

PROJECT ENG: R. PLOUSSARD		USED ON		 <b>Baby / MIDWAY MFG. CO.</b> FRANKLIN PK ILL.	
DO NOT SCALE DIMS		HEAT TREAT	SCALE FULL		
DIM TOLERANCES UNLESS SPECIFIED	DRW. RLW	FINISH	ASSEMBLY DRAWING		PART NO.
CONCENTRICITY TYP. .002	CHKD.	DATE 12/19/83	5 MHZ CPU		M051 - 00304 - H009
FRACTIONAL .125			A082-91490-H000		
DECIMAL .002					
HOLE DIA .002					





PROJECT ENG: CARY MEDNICK			USED ON MCF
DO NOT SCALE DWG		HEAT TREAT	NO. REQ'D I P
DIM TOLERANCES UNLESS SPECIFIED		MAT'L.	SCHEMATIC DRAWING DUAL PWR AMP W/MXR M A084-91648-A000
CONCENTRICITY F.T.H. .00	DRN. / L.L.	FINISH	
FRACTIONAL .154	CRD.		
DECIMAL .005	DATE 6/30/83		
HOLE DIA. + .002 .000			



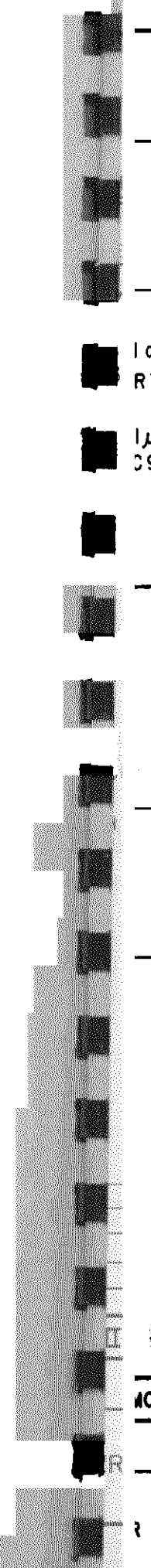

REVISIONS

R/III  
PER

*Bally* / MIDWAY MFG. CO.  
FRANKLIN PK ILL

MCR III

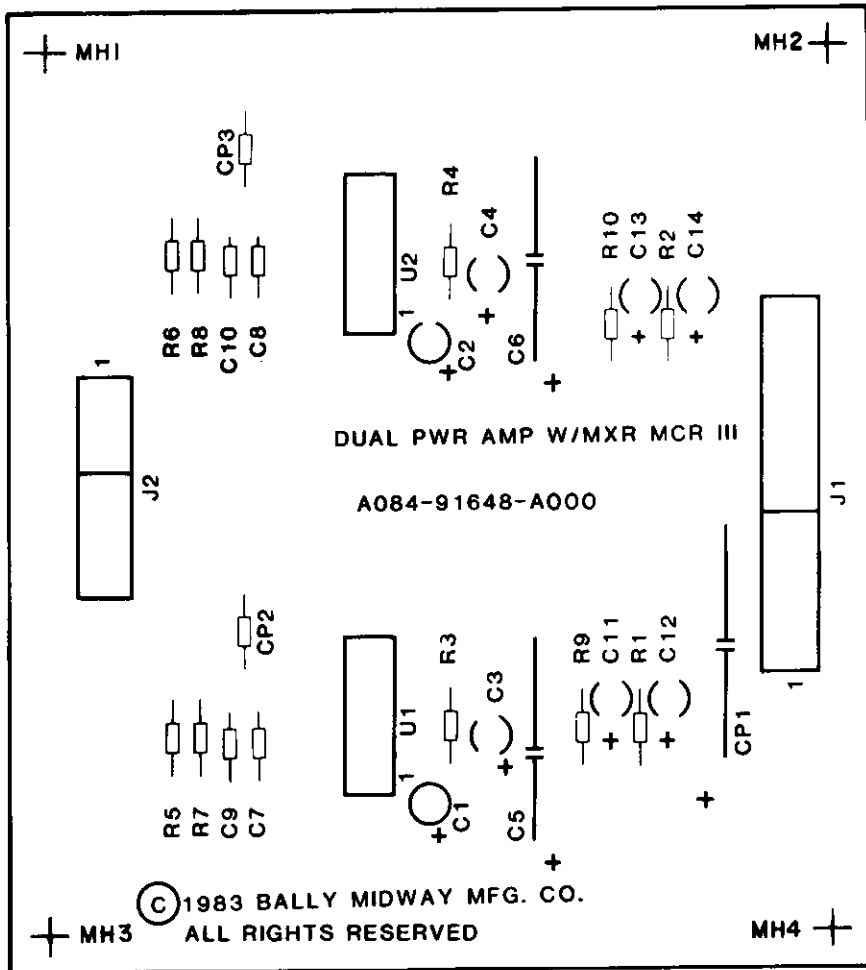
PART NO.  
M051 - 00304 - A013



DESIGNATION LIST

<u>DESIGNATION NO.</u>	<u>DESCRIPTION</u>
C1,C2	4.7 MF 25V RD TANT.
C3,C4	22 MF 6V RD TANT.
C5,C6	470 MF 6V AX ELECT.
C7-C10	.1 MF 50V AX CR.
C11-C14	4.7 MF 25V RD TANT
CP1	220 MF 25V AX ELECT.
CP2,CP3	.1 MF 50V AX CR.
R1,R2	2.7K OHM 1/4W 5% CRBN.
R3,R4	27 OHM 1/4W 5% CRBN.
R5-R8	1 OHM 1/2W 5% CRBN.
R9,R10	2.7K OHM 1/4W 5%
U1,U2	MB3730
J1	.045 SQ. PIN
J2	.045 SQ. PIN
HSU1,U2	HEATSINK ASSY
MH1-MH4	1/4" SPACER FOR #8 SCREW
DUAL PWR AMP W/MXR	A080-91648-A000

CROSS REFERENCE



DESCRIPTION

QTY

DE

.1 MF 50V AX CR.	6	C7
4.7 MF 25V RD TANT.	6	C1
22 MF 6V RD TANT	2	C3
220 MF 25V AX ELECT.	1	CP
470 MF 6V AX ELECT.	2	C5
1 OHM 1/2W 5%	4	R5
27 OHM 1/4W 5%	2	R3
2.7K 1/4W 5%	4	R1
MB3730	2	U1
.045 SQ. PIN	5	J2
.045 SQ. PIN	10	J1
HEATSINK ASSY	2	HS
1/4" SPACER FOR #8 SCREW	4	MH
DUAL PWR AMP W/MXR	1	

PROJECT ENG: C. MEDNICK			USED ON	MCR II
DO NOT SCALE DIMS		HEAT TREAT	SCALE	FULL
			NO. REQ'D	1 PER
DIM TOLERANCES UNLESS SPECIFIED	DRN. RLW	MAT'L.	ASSEMBLY DWG. DUAL POWER AMP W/ MIXE A080-91648-A000	
CONCENTRICITY TYPICAL	CKD.	FINISH		
DATE	07/05/83			

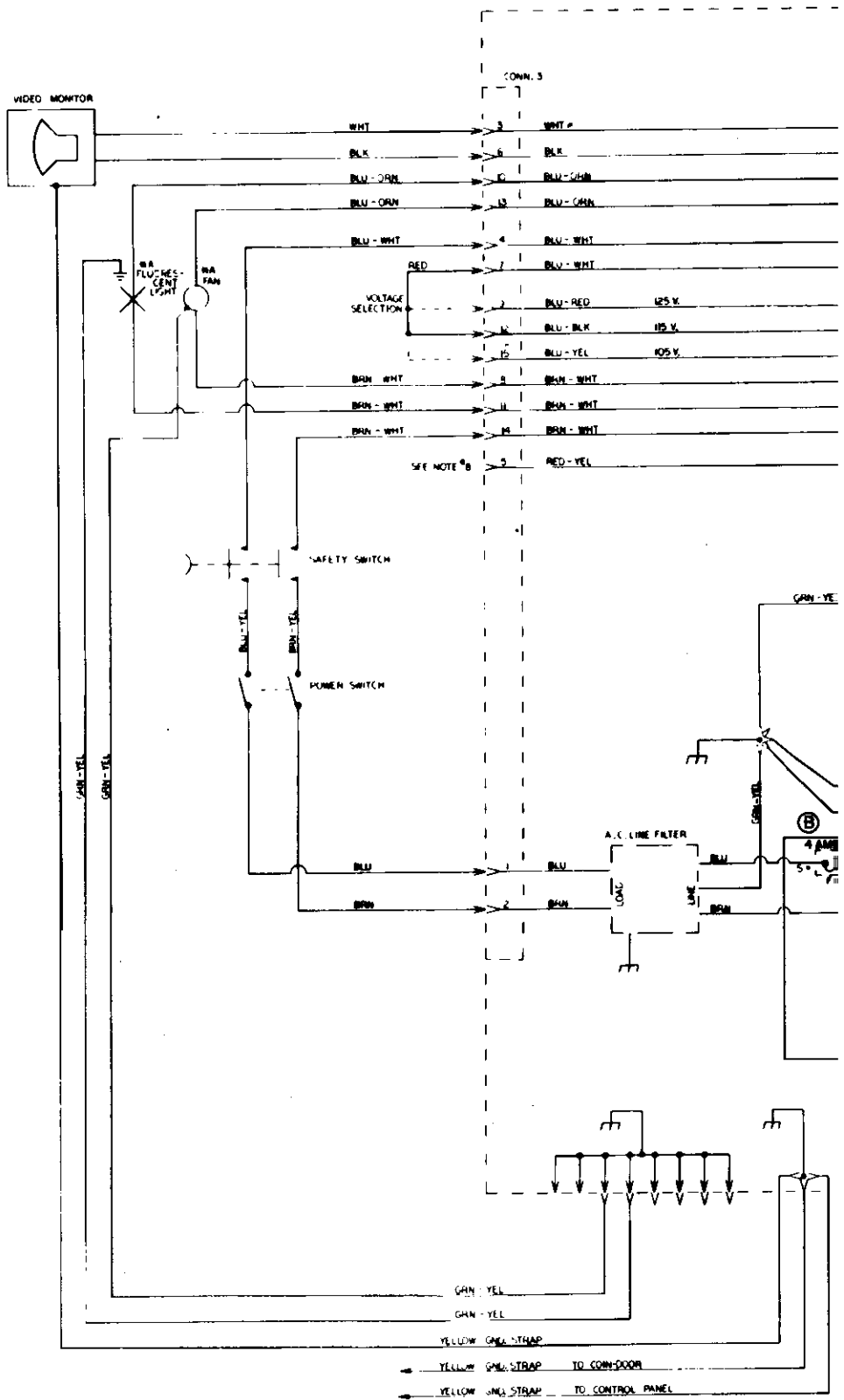
REFERENCE LIST

<u>DESIGNATION NO.</u>	<u>PART NOS.</u>
7-C10, CP2, CP3	0986-00800-1100
1, C2, C11-C14	0986-00800-3100
3, C4	0986-00800-1600
P1	0986-00800-3200
5, C6	0986-00800-1700
5-R8	0062-02603-1XXX
3, R4	0062-068B3-1XXX
1, R2, R9, R10	0062-199B3-1XXX
1, U2	0066-188XX-XX4X
2	0017-00033-0480
	0017-00033-0480
SU1, HSU2	A986-00010-0000
11-MH4	0017-00042-0320
	A080-91648-A000

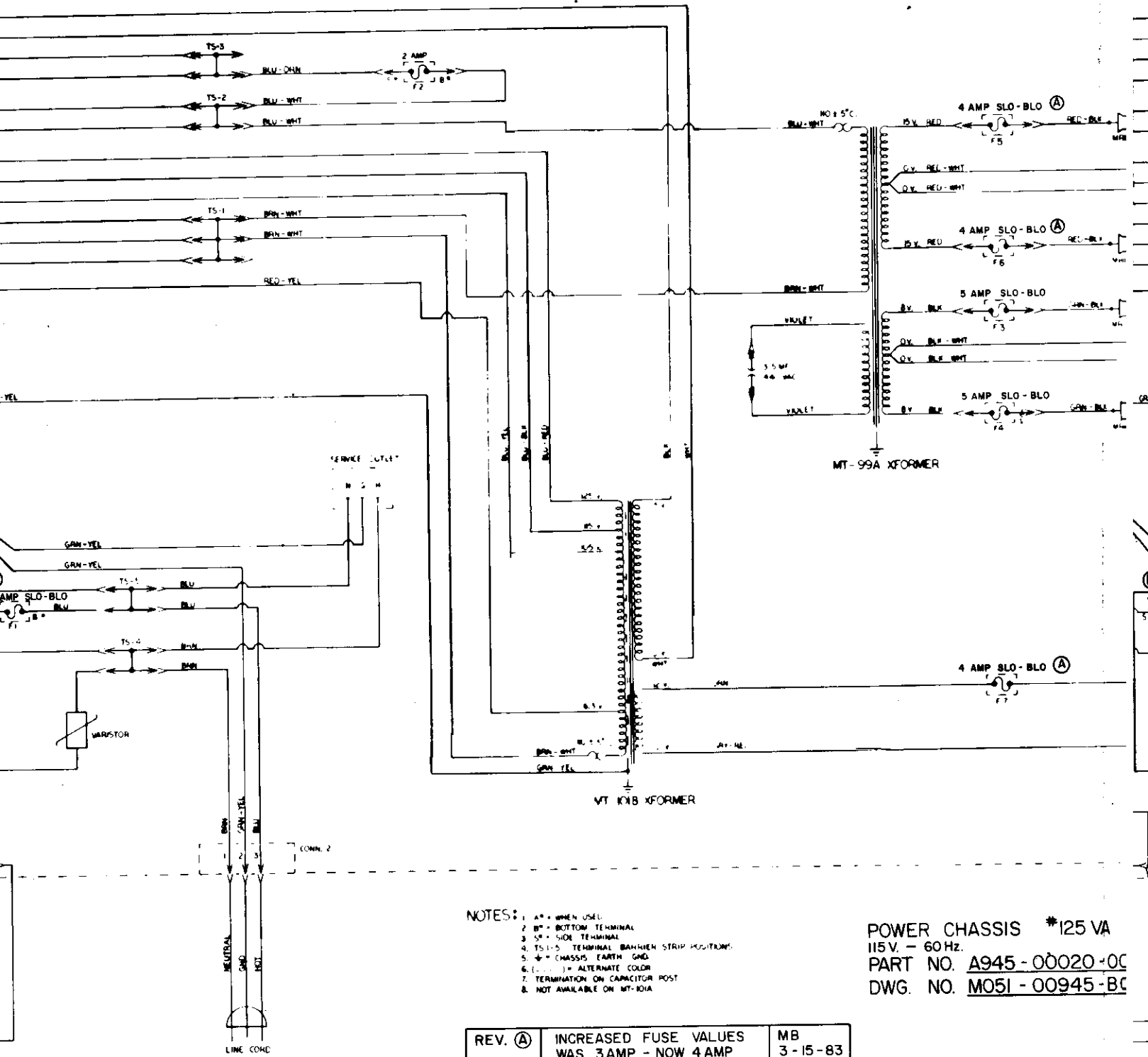

REVISIONS

I	<b>Bally / MIDWAY MFG. CO.</b> FRANKLIN PK ILL.
---	--

R MCR III	PART NO. M051 - 00304 - A012
-----------	---------------------------------



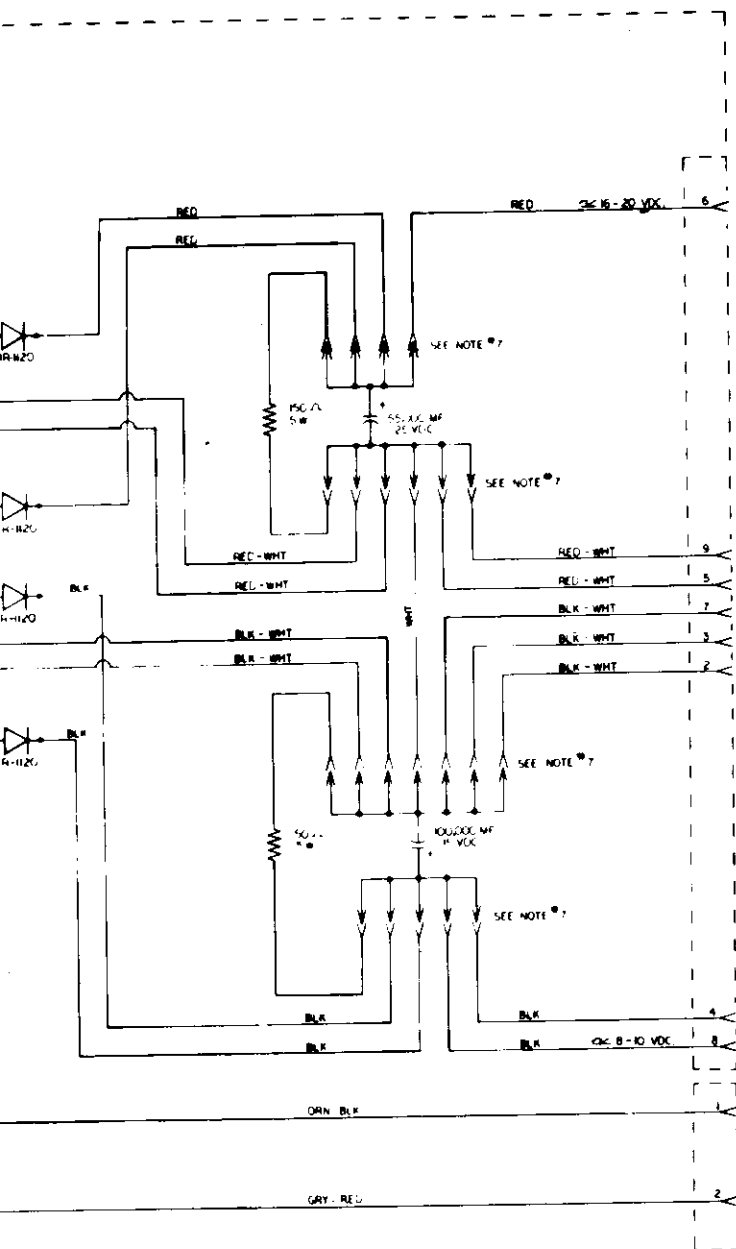




- NOTES:
- 1. A\* - WHEN USED.
  - 2. B\* - BOTTOM TERMINAL
  - 3. S\* - SIDE TERMINAL
  - 4. TS-1-5 TERMINAL BANRIER STRIP POSITION.
  - 5. + - CHASSIS EARTH GND.
  - 6. (...) = ALTERNATE COLOR
  - 7. TERMINATION ON CAPACITOR POST
  - 8. NOT AVAILABLE ON MT-101A

POWER CHASSIS \*125 VA  
 115V. - 60 HZ.  
 PART NO. A945-00020-0C  
 DWG. NO. M051-00945-B0

REV. (A)	INCREASED FUSE VALUES WAS 3 AMP - NOW 4 AMP ADDED PART NO. (UL)	MB 3-15-83
REV. (B)	INCREASED FUSE VALUE WAS 3AMP - NOW 4AMP	MB 3-24-83



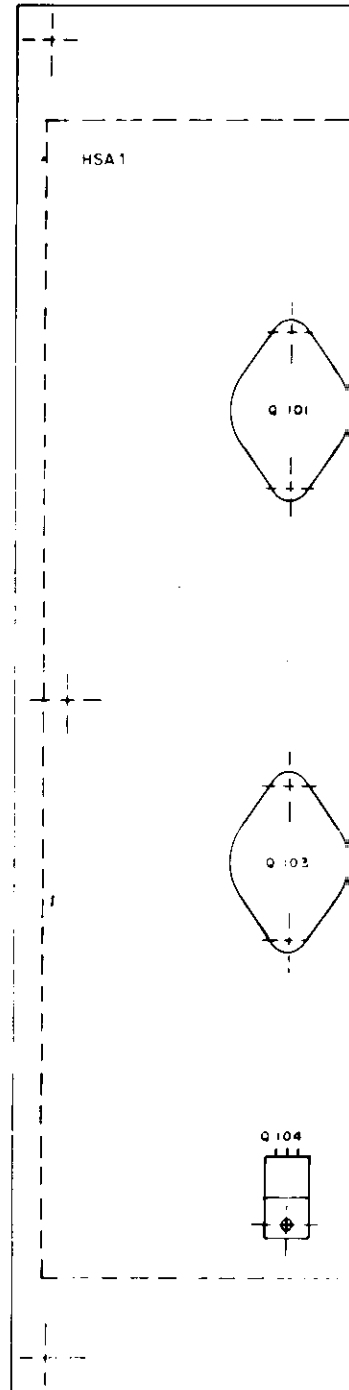
BALLY / MIDWAY  
 10601 W. BELMONT AVE.  
 FRANKLIN PARK, IL. 60131

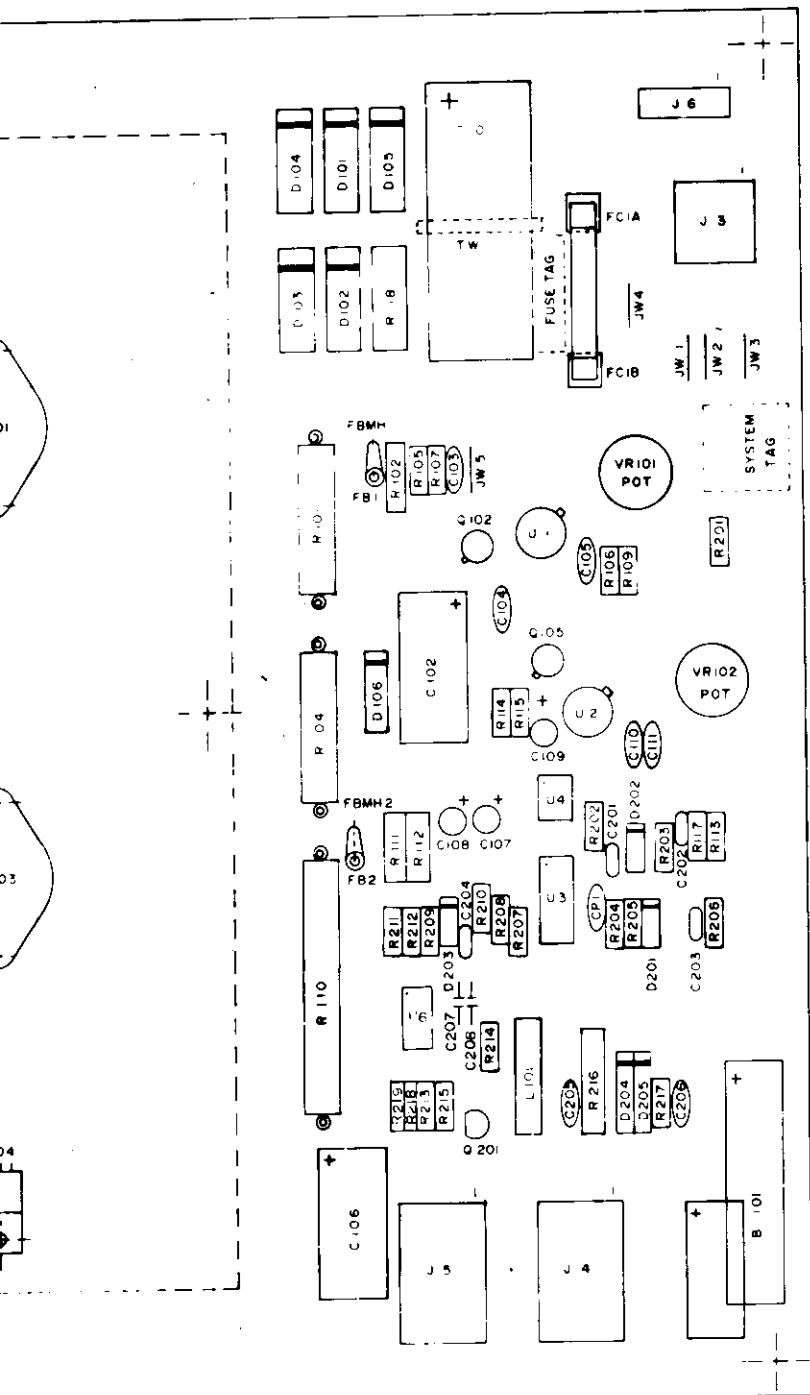
000  
 037

A  
 C  
 E

# DESIGNATION LIST

DESIGNATION	DESCRIPTION	DESIGNATION	DESCRIPTION
C101	4700uf AX. ELECT.	D101	A15F
C102	470uf AX. ELECT.	D102	A15F
C103	.10uf AX. CER.	D103	A15F
C104	.1uf AX. CER.	D104	A15F
C105	47pf AX. CER.	D105	A15F
C106	470uf AX. ELECT.	D106	1N4001
C107	100uf RD. TANT.	D201	1N4148
C108	1uf RD. TANT.	D202	1N4148
C109	4.7uf RD. TANT.	D203	1N4148
C110	.1uf AX. CER.	D204	1N4001
C111	.1uf AX. CER.	D205	1N4001
C201	.01uf MYLAR	Q102	2N2905
C202	.033uf MYLAR	Q105	2N2905
C203	.01uf MYLAR	Q201	2N4401
C204	.047uf MYLAR		
C205	820pf AX. CER.		
C206	.01uf AX. CER.		
C207	0.082uf MYLAR		
CP1	.1uf AX. CER.	U1	LM305 REG.
		U2	LM305 REG.
		U3	LM3900
		U4	1N28
		U6	555
R101	.18ohm 5W W/RES. SPACER	L101	22uH INDUCTOR
R102	68ohm 1/2W 5%	B101	BATTERY 3.6VDC 60DEG C
R104	10ohm 5W W/RES. SPACER	F1	3.8A S BLO FUSE
R105	27ohm 1/4W 5%	FC1A,1B	FUSE CLIP
R106	270ohm 1/4W 5%	FE1,2	FERRITE BEAD
R107	6.2K 1/4W 5%	TW1	TIE WRAP
R109	1K 1/4W 5%	J3	9PIN P.C. MOUNT CONN.(MALE)
R110	.16ohm 15W W/RES. SPACER	J4	15PIN P.C. MOUNT CONN.(FEMALE)
R111	6.8ohm 1/2W 5%	J5	15PIN P.C. MOUNT CONN.(MALE)
R112	68ohm 1/2W 5%	J6	3PIN P.C. MOUNT CONN.(MALE)
R113	1.2K 1/4W 5%	LB1	FUSE TAG
R114	47ohm 1/4W 5%	LB2	SYSTEM TAG
R115	160ohm 1/4W 5%	HSA1	HEAT SINK ASS'Y 1
R117	560ohm 1/4W 5%	MHSA1	MOUNTING HARD WARE(HEAT SINK)
R118	150ohm 2W		2 SCREW
R201	270ohm 1/4W 5%		4 WASHER
R202	1.2K 1/4W 5%		2 HEXNUT
R203	1.1M 1/4W 5%	JW1-5	JUMPER WIRE
R204	3.3M 1/4W 5%	FBMH1,2	FERRITE BEAD MOUNTING HARDWARE
R205	10M 1/4W 5%		
R206	100K 1/4W 5%		
R207	33K 1/4W 5%		
R208	2M 1/4W 5%		
R209	1M 1/4W 5%		
R210	1.2M 1/4W 5%		
R211	75K 1/4W 5%		
R212	75K 1/4W 5%		
R213	220K 1/4W 5%		
R214	3.9K 1/4W 5%		
R215	1.2K 1/4W 5%		
R216	82ohm 1W 10%		
R217	270ohm 1/4W 5%		
R218	110K 1/4W 5%		
R219	68ohm 1/2W 5%		
VR101,102	100ohm POT		





DESCRIPTION	Qty	DESIGNATION
47pf AX. CER	1	C105
820pf AX. CER	1	C205
.01uf AX. CER	2	C206,208
.01uf MYLAR	2	C201,203
.033uf MYLAR	1	C202
.047uf MYLAR	1	C204
0.082uf AX. CER	1	C207
.1uf AX. CER	5	C103,104,110,111, CP1
1uf RAD. TANT	1	C108
4.7uf RAD. TANT	1	C109
100uf RAD. TANT	1	C107
470uf AX. ELECT	2	C102,106
470uf AX. ELECT	1	C101
.16ohm 15W 5%	1	R110
.18ohm 5W 5%	1	R101
6.8ohm 1/2W 5%	1	R111
10ohm 5W 5%	1	R104
27ohm 1/4W 5%	1	R105
47ohm 1/4W 5%	1	R114
68ohm 1/2W 5%	3	R102,112,219
82ohm 1W 10%	1	R216
150ohm 2W 5%	1	R118
160ohm 1/4W 5%	1	R115
270ohm 1/4W 5%	3	R106,201,217
560ohm 1/4W 5%	1	R117
1K 1/4W 5%	1	R109
1.2K 1/4W 5%	3	R113,202,215
3.9K 1/4W 5%	1	R214
6.2K 1/4W 5%	1	R107
33K 1/4W 5%	1	R207
75K 1/4W 5%	2	R211,212
100K 1/4W 5%	1	R206
110K 1/4W 5%	1	R218
220K 1/4W 5%	1	R213
1M 1/4W 5%	1	R209
1.1M 1/4W 5%	1	R203
1.2M 1/4W 5%	1	R210
2M 1/4W 5%	1	R208
3.3M 1/4W 5%	1	R204
10M 1/4W 5%	1	R205
100ohm POT	2	VR101,102

CROSS REFERENCE LIST

PART #	DESCRIPTION	Q'ty	DESIGNATION #	PART #
0945-00811-0100	LM305 REG.	2	U1.2	0945-00813-0100
0945-00816-0400	555	1	U6	0929-00810-4500
0945-00816-0100	LM3900	1	U3	0945-00813-0200
0945-00816-0200	4N28	1	U4	0945-00813-0300
0945-00816-0500				
0945-00816-0300				
0945-00816-1900	A15F RECTIFIER	5	D101-105	0945-00804-0200
0945-00811-0200				
0945-00811-0300	1N4001	3	D106,204,205	0945-00804-0300
0945-00811-0400	1N4148	3	D201-203	0945-00804-0500
0945-00811-0500				
0945-00816-0600	2N2905	2	Q102,105	0945-00808-0300
0945-00811-0700	2N4401	1	Q201	0945-00804-0400
0945-00815-0100	BATTERY 3.6VDC 60DEG-C	1	B101	0017-00003-0377
0945-00815-0200	FUSE 3/8A S-BLO	1	F1	0945-00808-0400
0062-04703-1XXX	FUSE CLIP	2	FC1A.1B	0017-00003-0214
0945-00812-0100	TIE WRAP	1	TW1	0945-00814-0300
0062-068B3-1XXX	FERRITE BEAD	2	FB1.2	0017-00009-0225
0062-086B3-1XXX	FERRITE MOUNTING HDW.	2	FBMH1.2	0017-00033-0139
0062-098D3-1XXX				
0062-104F5-1XXX				
0945-00812-0200	.22uH INDUCTOR	1	L101	0945-00814-0200
0062-124B3-1XXX	FUSE TAG	1		M051-00945-A004
0062-138B3-1XXX	SYSTEM TAG	1		M051-00945-A009
0062-162B3-1XXX	P.C.B.	1		A080-90412-0000
0062-179B3-1XXX				
0062-183B3-1XXX				
0062-207B3-1XXX				
0062-217B3-1XXX				
0062-251B3-1XXX	HEAT SINK ASS'Y	1	HSA1	A945-00008-0000
0062-269B3-1XXX	(SEE HS ASS'Y DRAWING "XX NOTE")			
0062-275B3-1XXX	{ 4-40 X 10 SLT RND	2	MH HSA 1A, 2A.	0017-00101-00727
0062-277B3-1XXX	{ 4-40 HEX NUT	2	MH HSA 1E, 2E.	0017-00103-0002
0062-291B3-1XXX	{ WSH 4-120-.250-018	4	MH HSA 1B, 1D	0017-00104-0071
0062-323B3-1XXX			MH HSA 2B, 2D	
0062-325B3-1XXX				
0062-327B3-1XXX	3PIN P.C. MOUNT CONN. (MALE)	1	J6	0017-00021-0443
0062-337B3-1XXX	9PIN P.C. MOUNT CONN. (MALE)	1	J3	0017-00021-0425
0062-347B3-1XXX	15PIN P.C. MOUNT CONN. (FEMALE)	1	J4	0017-00021-0441
0062-371B3-1XXX	15PIN P.C. MOUNT CONN. (MALE)	1	J5	0017-00021-0440
0945-00814-0000	22 AWG T & R BARE 2.5"	5	JW1-5	0151-00087-0000

FROJ. ENG: L. DEKKER		SATAN'S HOLLOW		MIDWAY MFG. CO.	
DO NOT SCALE DWG		FULL		FRANKLIN PK ILL	
DATE: 5/17/82		ASSEMBLY DRAWING (25VA PWRSPY)		PART NO: M051-00945-D006	
		A082-90412-D000			

**BALLY/MIDWAY'S TAPPER**  
**U.R. #A11**  
**ROM/EPROM PART NUMBERS**

**UNPROGRAMED SUPER VIDEO GEN. A084-91464-L000**  
**PROGRAMED SUPER VIDEO GEN. A084-91464-AA11**

POS.	MIDWAY PART NUMBER
1A	0A11-00803-0001
2A	0A11-00803-0002
3A	0A11-00803-0003
4A	0A11-00803-0004
5A	0A11-00803-0005
6A	0A11-00803-0006
7A	0A11-00803-0007
8A	0A11-00803-0008

JUMPERS	IN	OUT
JW1		**
JW2	**	

**UNPROGRAMED 5 MHZ CPU A084-91490-H000**  
**PROGRAMED 5 MHZ CPU A084-91490-AA11**

POS.	MIDWAY PART NUMBER
5F	0A11-00803-0013
6F	0A11-00803-0014
1C	0A11-00803-0009
2C	0A11-00803-0010
3C	0A11-00803-0011
4C	0A11-00803-0012

JUMPERS	IN	OUT
JW1		**
JW2		**
JW3	**	
JW4		**
JW5		**
JW6		**

**UNPROGRAMED S/S I/O A084-90913-G000**  
**PROGRAMED S/S I/O A084-90913-AA11**

POS.	MIDWAY PART NUMBER
7A	0A11-00803-0015
8A	0A11-00803-0016
9A	0A11-00803-0017
10A	0A11-00803-0018

EPROM	JUMPERS	IN	OUT
2532	JW1		**
2532	JW2	**	
2732	JW1	**	
2732	JW2		**

REVISIONS	
12/19/83	RELEASE FOR PRODUCTION